



Chipsmall Limited consists of a professional team with an average of over 10 year of expertise in the distribution of electronic components. Based in Hongkong, we have already established firm and mutual-benefit business relationships with customers from,Europe,America and south Asia,supplying obsolete and hard-to-find components to meet their specific needs.

With the principle of “Quality Parts,Customers Priority,Honest Operation,and Considerate Service”,our business mainly focus on the distribution of electronic components. Line cards we deal with include Microchip,ALPS,ROHM,Xilinx,Pulse,ON,Everlight and Freescale. Main products comprise IC,Modules,Potentiometer,IC Socket,Relay,Connector.Our parts cover such applications as commercial,industrial, and automotives areas.

We are looking forward to setting up business relationship with you and hope to provide you with the best service and solution. Let us make a better world for our industry!



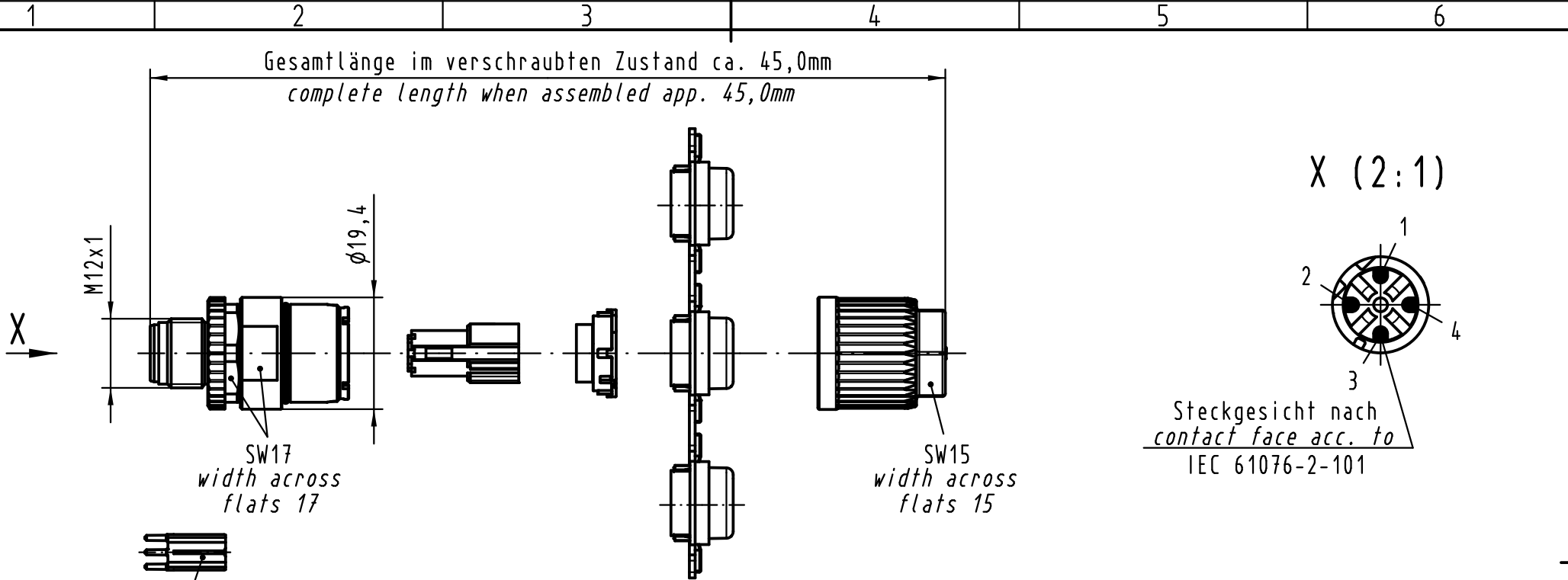
Contact us

Tel: +86-755-8981 8866 Fax: +86-755-8427 6832

Email & Skype: info@chipsmall.com Web: www.chipsmall.com

Address: A1208, Overseas Decoration Building, #122 Zhenhua RD., Futian, Shenzhen, China



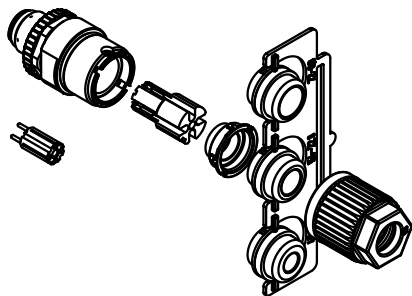


Montagehilfe wird lose beigelegt
assembly aid enclosed

Crimpkontakte separat bestellen
order contacts separately

Spannung/voltage: 250V a.c/d.c
Strom/current: 4A/40°C
Betriebstemperatur: -40°C - +85°C
working temperature:

Kabelø cableø	Leiterquerschnitt wire gauge	Bestell-Nr. part-no.
4,5-8,8mm	AWG 26-22	09 67 000 5576
	AWG 24-20	09 67 000 8576
	AWG 22-18	09 67 000 3576



ALL Dimensions in mm Original Size DIN A 4		Techn. Character.		Nicht tolerierte Maß/Free size tolerances	
		Dat.	Name	Maßstab/Scale 1:1	RSV M12-L circular connector M12-L 4-polig Stift D-kodiert Crimp geschirmt 4-pole male D-coded crimp shielded
		Detail.	Bus.		
		Insp.	Ge		
		Stand.			
ECO4958		HARTING Electronics GmbH & Co. KG			TB 21 03 882 1415
Mod.	Dat.	Name	D-32339 ESPELKAMP		
					Sub.