



Chipsmall Limited consists of a professional team with an average of over 10 year of expertise in the distribution of electronic components. Based in Hongkong, we have already established firm and mutual-benefit business relationships with customers from,Europe,America and south Asia,supplying obsolete and hard-to-find components to meet their specific needs.

With the principle of “Quality Parts,Customers Priority,Honest Operation,and Considerate Service”,our business mainly focus on the distribution of electronic components. Line cards we deal with include Microchip,ALPS,ROHM,Xilinx,Pulse,ON,Everlight and Freescale. Main products comprise IC,Modules,Potentiometer,IC Socket,Relay,Connector.Our parts cover such applications as commercial,industrial, and automotives areas.

We are looking forward to setting up business relationship with you and hope to provide you with the best service and solution. Let us make a better world for our industry!



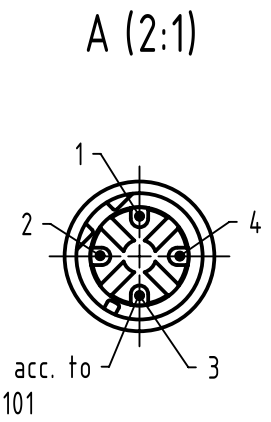
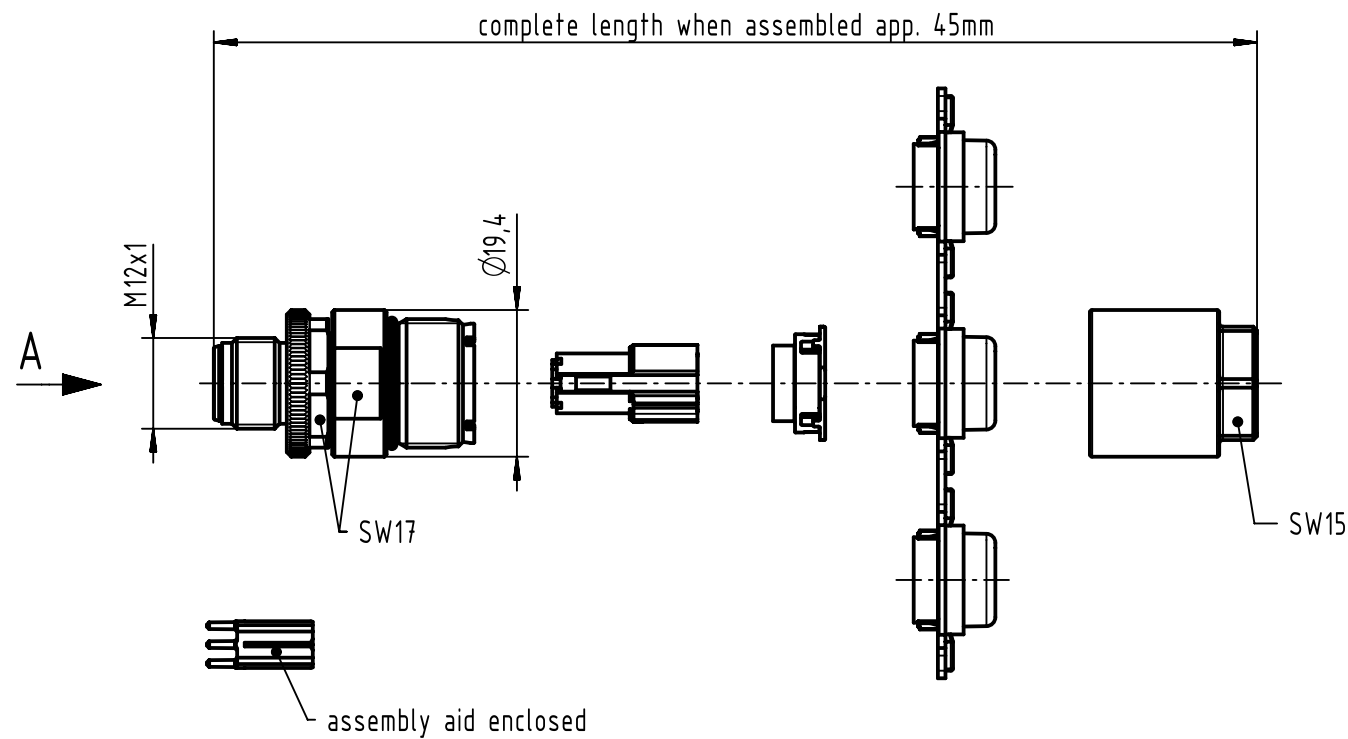
Contact us

Tel: +86-755-8981 8866 Fax: +86-755-8427 6832

Email & Skype: info@chipsmall.com Web: www.chipsmall.com

Address: A1208, Overseas Decoration Building, #122 Zhenhua RD., Futian, Shenzhen, China

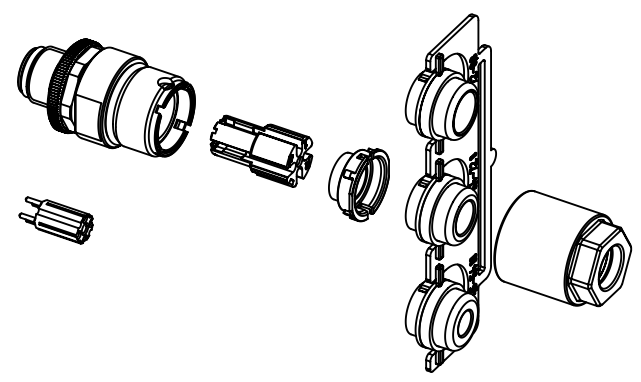




order contacts separately

shielding resistance $\leq 1,5 \text{ Ohm}$
 material metal parts: stainless steel
 (EN 10088-3/ 1.4404/ X2CrNiMo17-12-2)

4,5-8,8mm	AWG 24-20	09 67 000 8576
	AWG 26-22	09 67 000 5576
	AWG 22-18	09 67 000 3576
cable ϕ	wire gauge	part-no.



	All Dimensions in mm Original Size DIN A4		Scale 1:1		Free size tol.		Ref. Sub. TB 21038821435 / 500000092275 / 2015-07-24	
	All rights reserved Department EC PD - DE		Created by HELLMANN	Inspected by EISFELD	Standardisation HOFFMANN	Date 2016-10-18	State Final Release	
HARTING Electronics GmbH D-32339 Espelkamp		Title HARTING M12-L male crimp D-coded 4-pole					Doc-Key / ECM-Nr. 100527880/UGD/004/E 500000109655	
		Type TB	Number 21038821435			Rev. E	Page 1/1	