



Chipsmall Limited consists of a professional team with an average of over 10 year of expertise in the distribution of electronic components. Based in Hongkong, we have already established firm and mutual-benefit business relationships with customers from,Europe,America and south Asia,supplying obsolete and hard-to-find components to meet their specific needs.

With the principle of “Quality Parts,Customers Priority,Honest Operation,and Considerate Service”,our business mainly focus on the distribution of electronic components. Line cards we deal with include Microchip,ALPS,ROHM,Xilinx,Pulse,ON,Everlight and Freescale. Main products comprise IC,Modules,Potentiometer,IC Socket,Relay,Connector.Our parts cover such applications as commercial,industrial, and automotives areas.

We are looking forward to setting up business relationship with you and hope to provide you with the best service and solution. Let us make a better world for our industry!



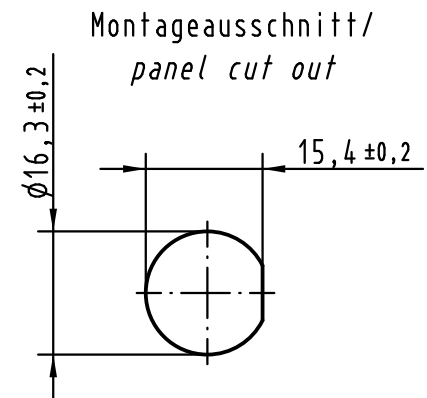
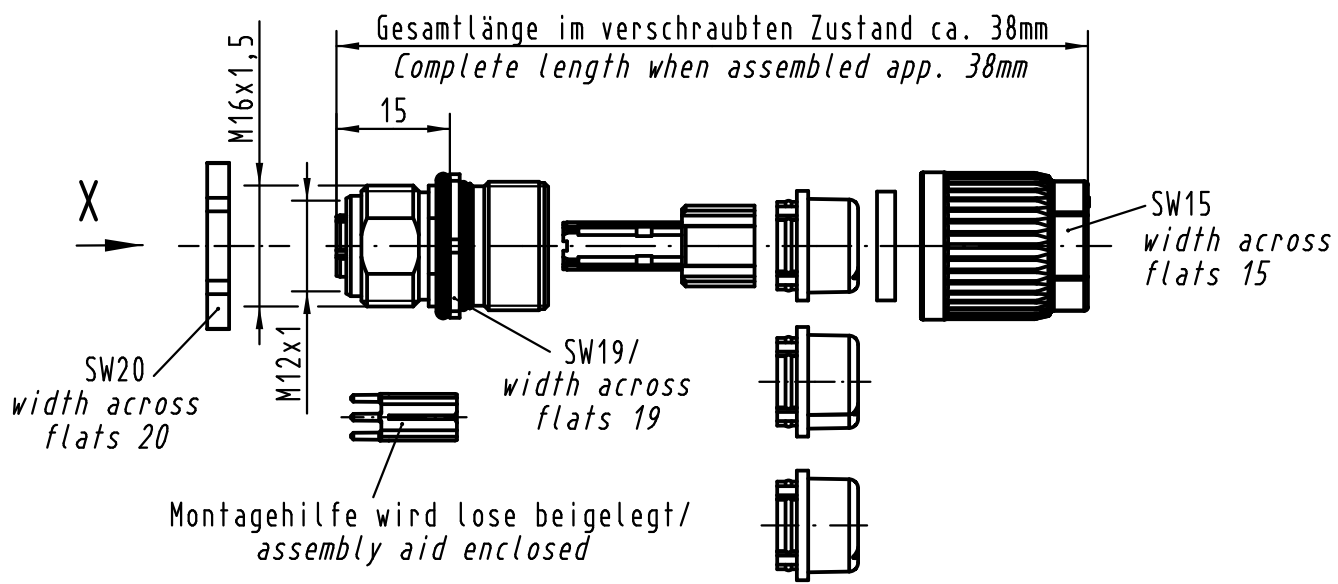
## Contact us

Tel: +86-755-8981 8866 Fax: +86-755-8427 6832

Email & Skype: info@chipsmall.com Web: www.chipsmall.com

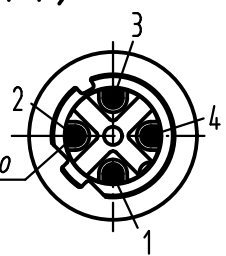
Address: A1208, Overseas Decoration Building, #122 Zhenhua RD., Futian, Shenzhen, China



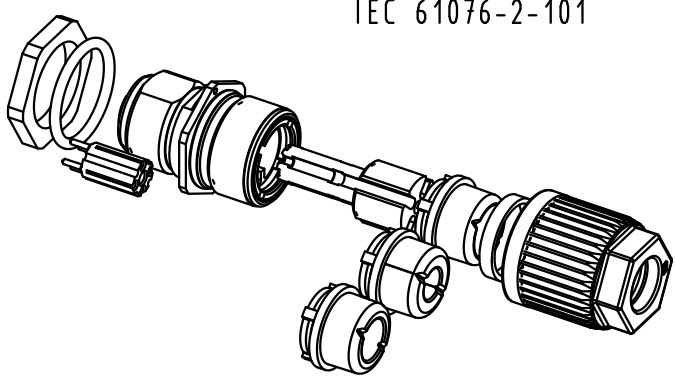


X (2:1)

Steckgesicht n.  
Contact face acc. to  
IEC 61076-2-101



Crimpkontakte separat bestellen  
Order contacts separately



Kabelø / Cableø			Leiterquerschnitt Wire gauge	Bestell-Nr. Part-No.
5,5-7,2mm	4,5-5,4mm	7.0-8.8mm		
Dichtung / Sealing			AWG 26-22	09 67 000 5476
schwarz/black	transparent	beige	AWG 24-20	09 67 000 8476

All Dimensions in mm Original Size DIN A 4			Techn. Character.			Nicht tolerierte Maßel/Free size tolerances		
				Dat.	Name	Maßstab/Scale <b>1:1</b>	<b>M12 crimp</b> WDF geschirmt, Buchse, 4-polig, D-kodiert Panel feed through shielded, female, 4-pole, D-coded	
			Detail.	29.08.07	Ho			
			Insp.		SUN			
			Stand.					
EC03243	20.05.11	DY	HARTING Electronics GmbH & Co. KG			TB 21 03 882 2425	Blatt/ page	
EC02795	28.01.11	DY	D-32339 ESPELKAMP					
EC01106	23.11.09	DY						
Mod.	Dat.	Name				Sub.		