



Chipsmall Limited consists of a professional team with an average of over 10 year of expertise in the distribution of electronic components. Based in Hongkong, we have already established firm and mutual-benefit business relationships with customers from,Europe,America and south Asia,supplying obsolete and hard-to-find components to meet their specific needs.

With the principle of “Quality Parts,Customers Priority,Honest Operation,and Considerate Service”,our business mainly focus on the distribution of electronic components. Line cards we deal with include Microchip,ALPS,ROHM,Xilinx,Pulse,ON,Everlight and Freescale. Main products comprise IC,Modules,Potentiometer,IC Socket,Relay,Connector.Our parts cover such applications as commercial,industrial, and automotives areas.

We are looking forward to setting up business relationship with you and hope to provide you with the best service and solution. Let us make a better world for our industry!



Contact us

Tel: +86-755-8981 8866 Fax: +86-755-8427 6832

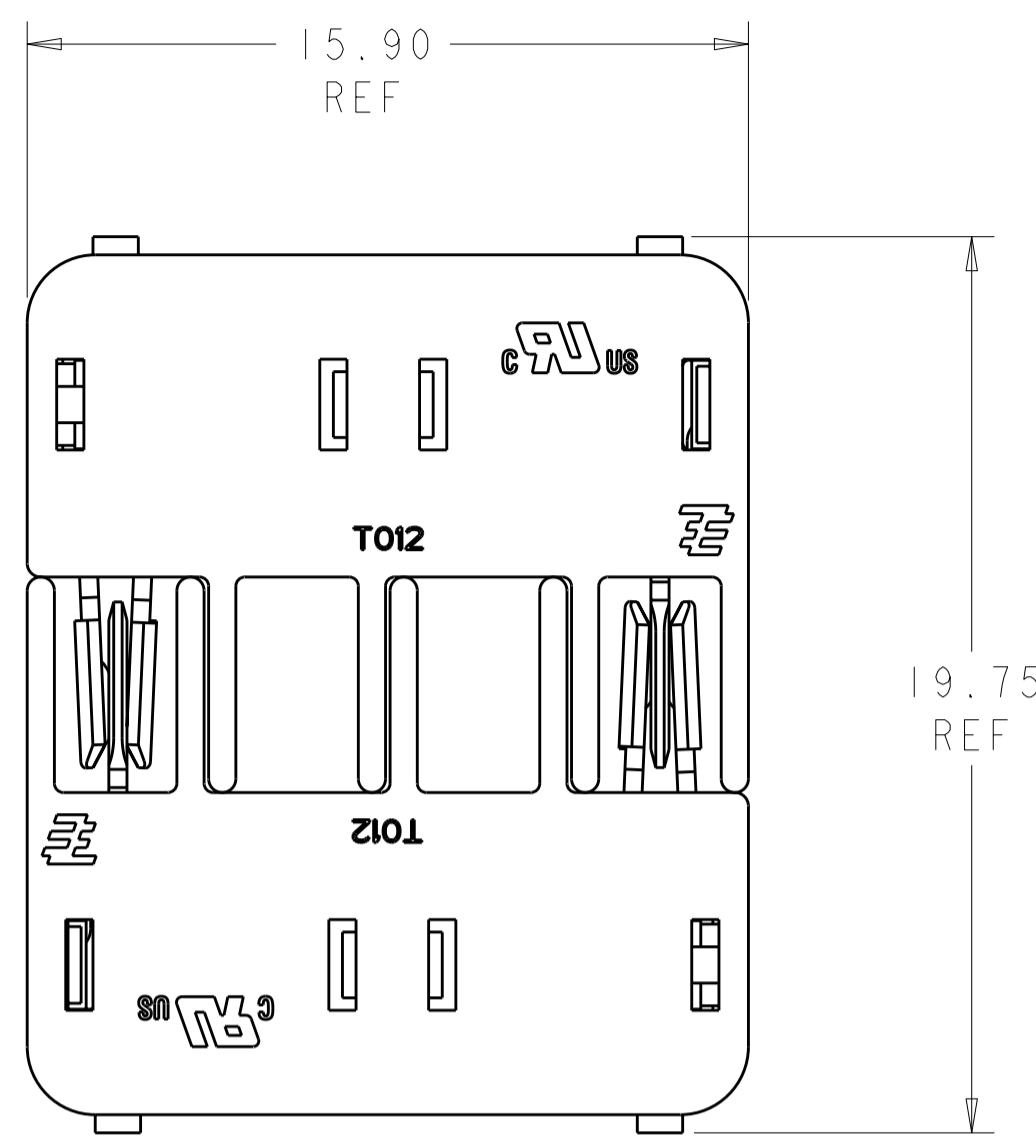
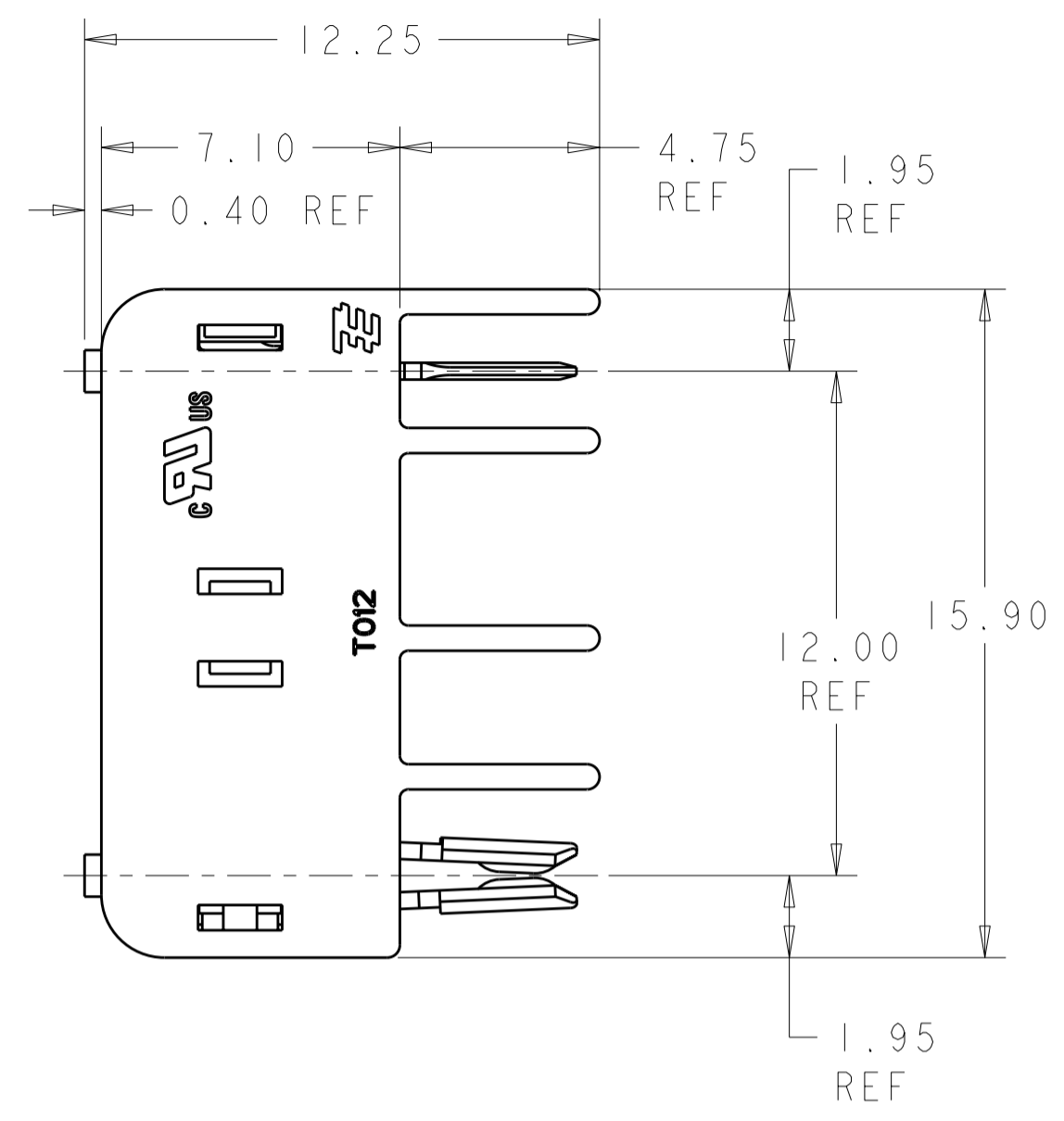
Email & Skype: info@chipsmall.com Web: www.chipsmall.com

Address: A1208, Overseas Decoration Building, #122 Zhenhua RD., Futian, Shenzhen, China



THIS DRAWING IS UNPUBLISHED. RELEASED FOR PUBLICATION 20
 © COPYRIGHT 20 BY TYCO ELECTRONICS CORPORATION. ALL RIGHTS RESERVED.

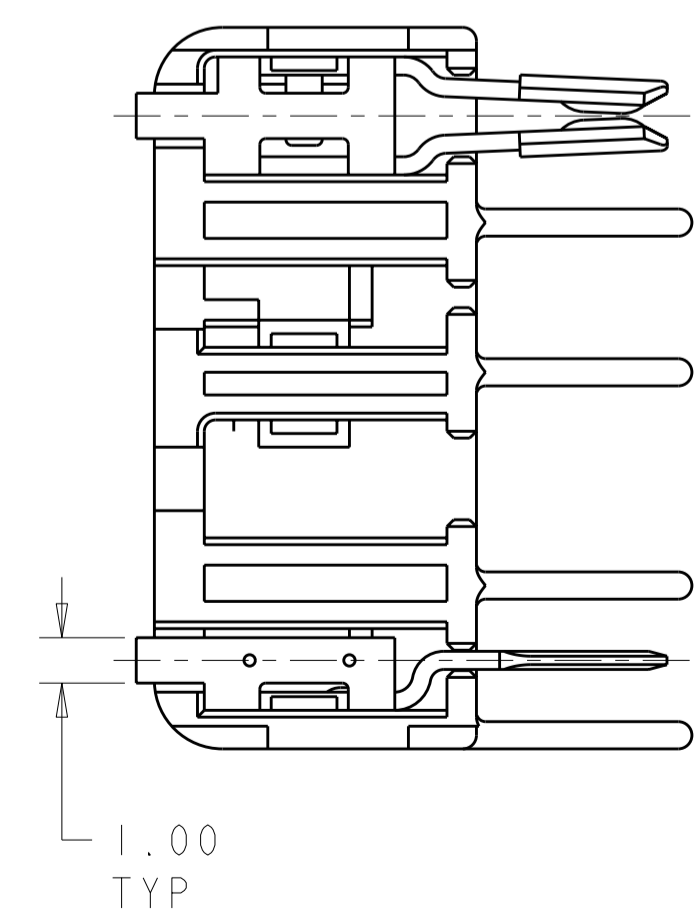
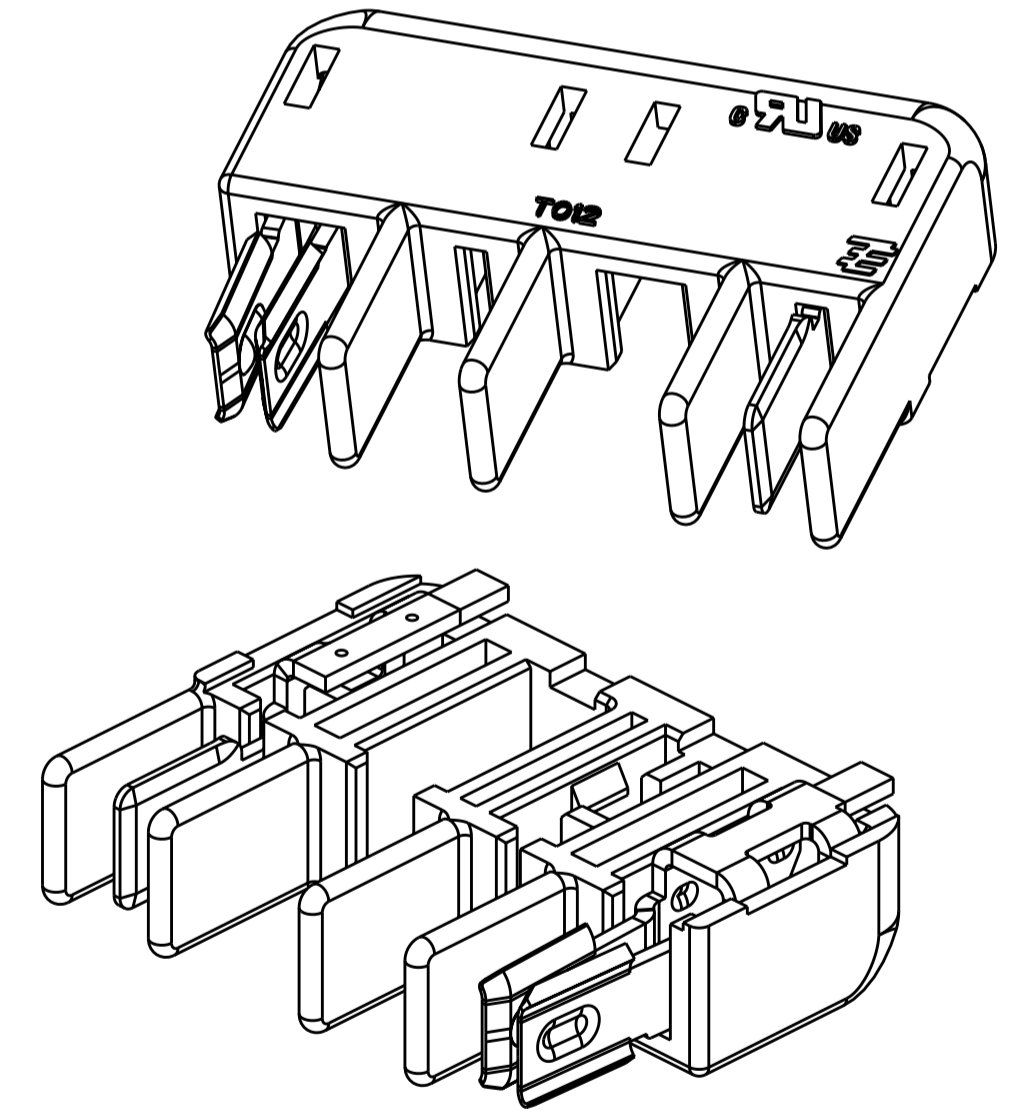
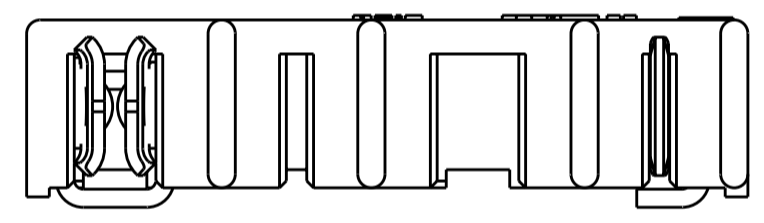
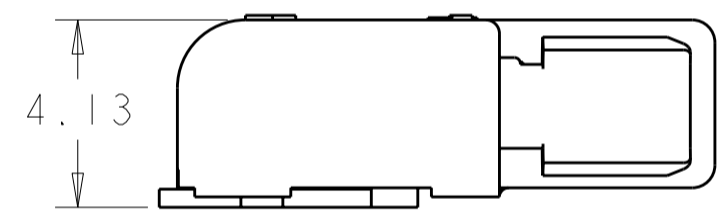
LOC		DIST		REVISIONS			
P	LTR	DESCRIPTION	DATE	DWN	APVD		
	5	UPDATED VIEWS, 4.13 DIM WAS 4.17	31MAR2010	RB	RN		



MATED PAIR SHOWN FOR REFERENCE

NOTES:

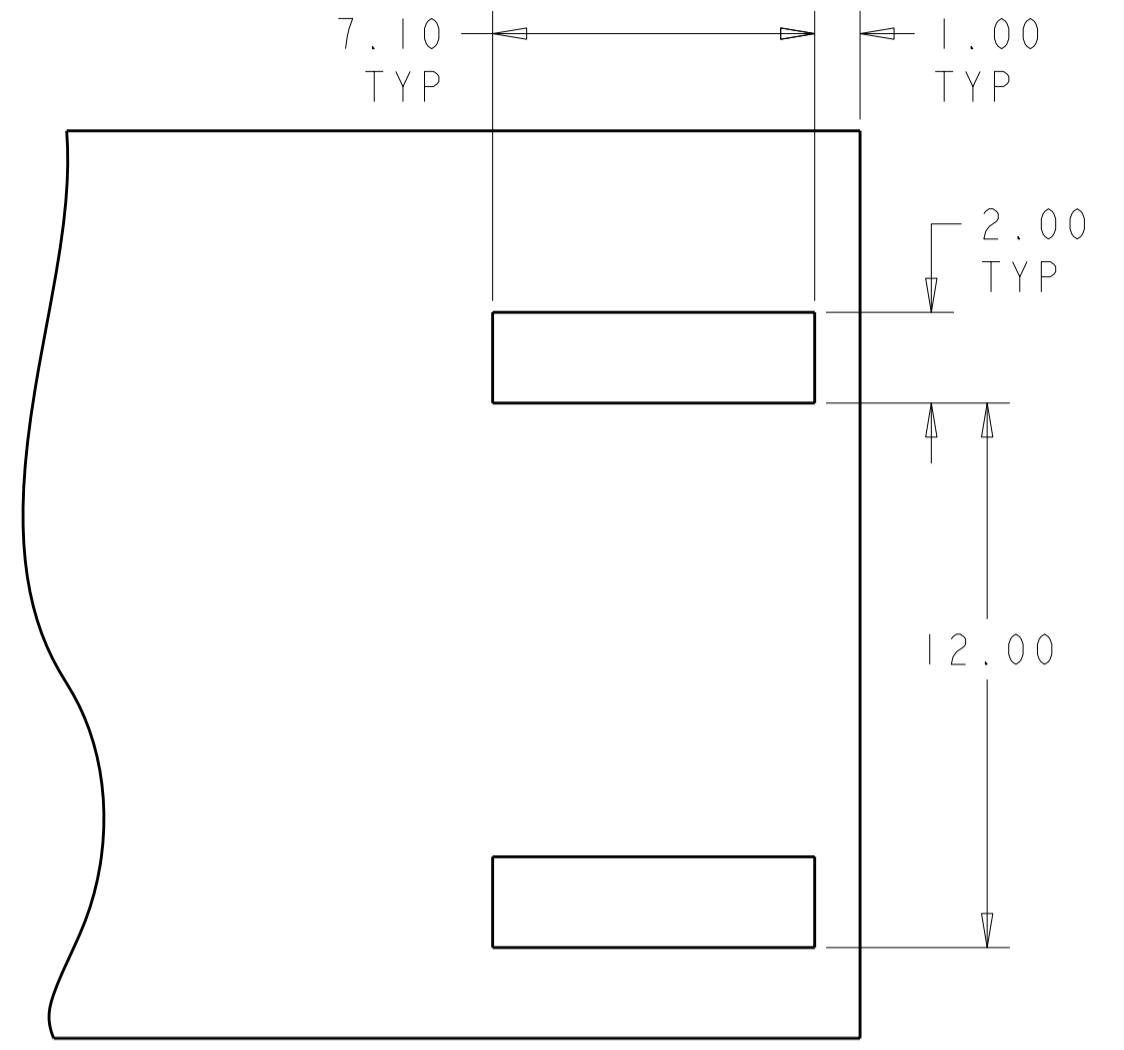
- 1. MATERIALS AND FINISH
 - HOUSING: LCP
 - CONTACTS: COPPER ALLOY, FINISH: TIN
- 2. PRODUCT TO COMPLY WITH DIRECTIVE 2002/95/EC (ROHS)
- 3. PACKAGED IN TAPE AND REEL PER EIA-481 SPECIFICATIONS



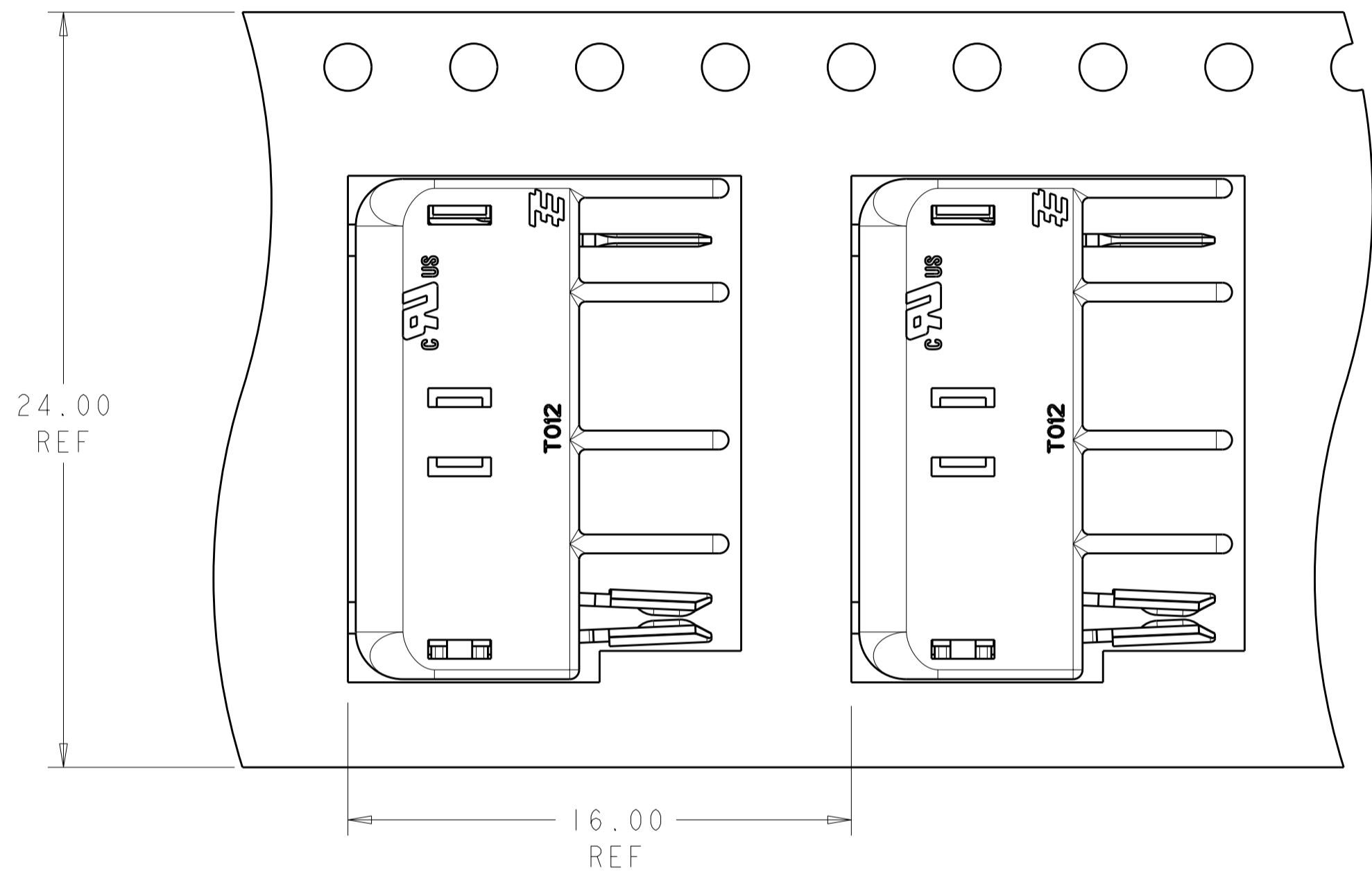
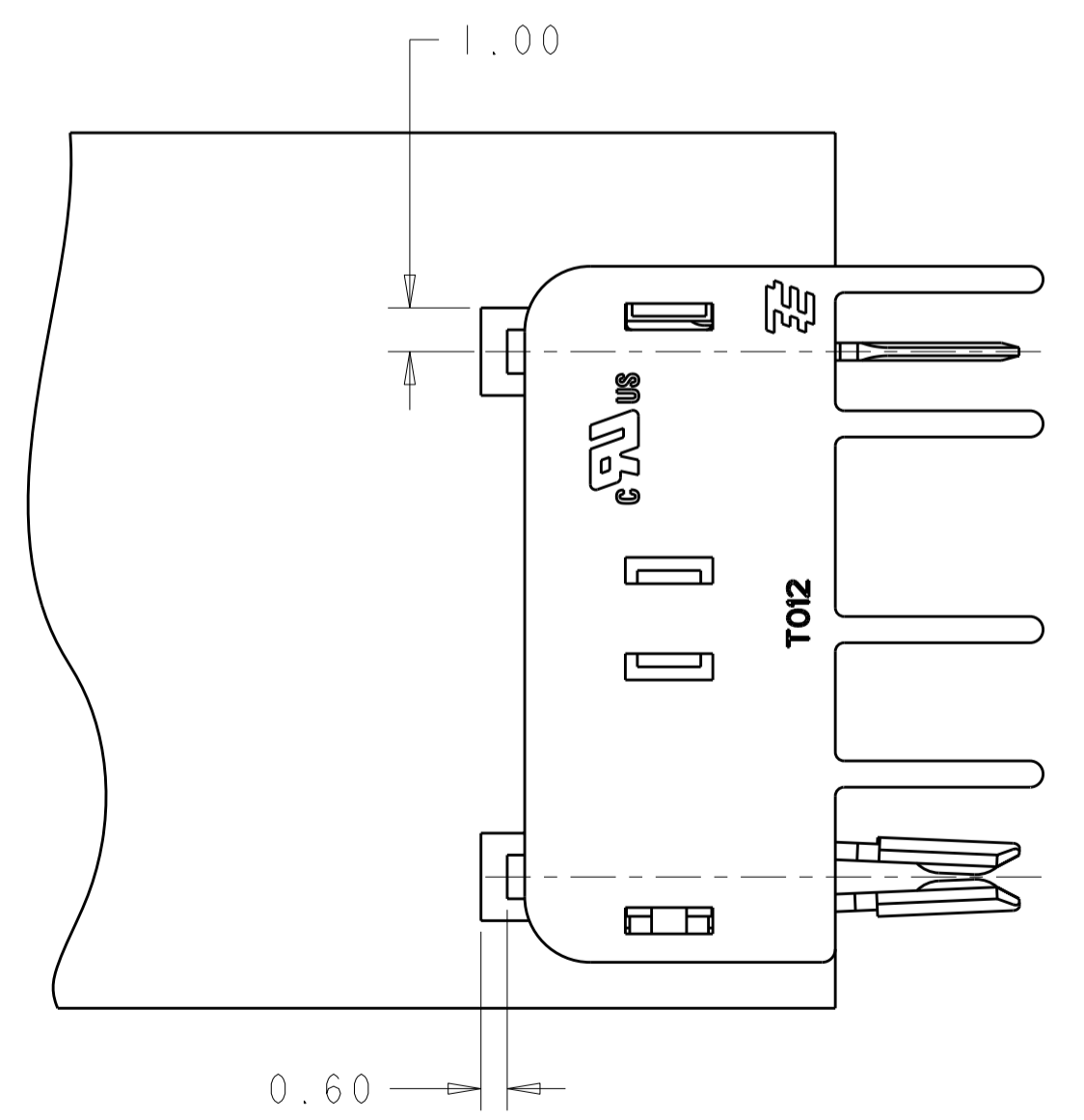
DESIGN APPROVED THIS PRINT IS
PRELIMINARY
 TO FIRST PIECE APPROVAL
 CONTACT PRODUCT ENGINEERING
 BEFORE USING THIS PRINT

THIS DRAWING IS A CONTROLLED DOCUMENT FOR TYCO ELECTRONICS CORPORATION IT IS SUBJECT TO CHANGE AND THE CONTROLLING ENGINEERING ORGANIZATION SHOULD BE CONTACTED FOR THE LATEST REVISION.		DWN S. FISHER 05NOV2008	Tyco Electronics Harrisburg, PA 17105-3608	
DIMENSIONS: mm		CHK R. NARANG 05NOV2008	NAME CONNECTOR ASSEMBLY, SELECT LOADING, HERMAPHRODITIC BLADE AND RECEPTACLE	
TOLERANCES UNLESS OTHERWISE SPECIFIED: 0 PLC ±- 1 PLC ±- 2 PLC ±0.13 3 PLC ±0.013 4 PLC ±- ANGLES ±1.0 FINISH		APVD -	PRODUCT SPEC 108-2342	RESTRICTED TO -
MATERIAL		APPLICATION SPEC 114-13225	SIZE A200779	DRAWING NO C-2106004
		WEIGHT -	SCALE 6:1	SHEET 1 OF 2 REV 5
		CUSTOMER DRAWING		

LOC		DIST		REVISIONS				
P	LTR	DESCRIPTION	DATE	DWN	APVD			
-	-	SEE SHEET 1	-	-	-			



RECOMMENDED PCB LAYOUT



TO BE PACKAGED AS SHOWN

DESIGN APPROVED THIS PRINT IS
PRELIMINARY
 TO FIRST PIECE APPROVAL
 CONTACT PRODUCT ENGINEERING
 BEFORE USING THIS PRINT

<small>THIS DRAWING IS A CONTROLLED DOCUMENT FOR TYCO ELECTRONICS CORPORATION IT IS SUBJECT TO CHANGE AND THE CONTROLLING ENGINEERING ORGANIZATION SHOULD BE CONTACTED FOR THE LATEST REVISION.</small>		DWN S. FISHER 05NOV2008 CHK R. NARANG 05NOV2008 APVD - PRODUCT SPEC - APPLICATION SPEC - WEIGHT - CUSTOMER DRAWING	Tyco Electronics Harrisburg, PA 17105-3608 NAME CONNECTOR ASSEMBLY, SELECT LOADING, HERMAPHRODITIC BLADE AND RECEPTACLE SIZE CAGE CODE DRAWING NO RESTRICTED TO A200779 C-2106004 - SCALE 6:1 SHEET 2 OF 2 REV 5
---	--	--	---