



Chipsmall Limited consists of a professional team with an average of over 10 year of expertise in the distribution of electronic components. Based in Hongkong, we have already established firm and mutual-benefit business relationships with customers from,Europe,America and south Asia,supplying obsolete and hard-to-find components to meet their specific needs.

With the principle of “Quality Parts,Customers Priority,Honest Operation,and Considerate Service”,our business mainly focus on the distribution of electronic components. Line cards we deal with include Microchip,ALPS,ROHM,Xilinx,Pulse,ON,Everlight and Freescale. Main products comprise IC,Modules,Potentiometer,IC Socket,Relay,Connector.Our parts cover such applications as commercial,industrial, and automotives areas.

We are looking forward to setting up business relationship with you and hope to provide you with the best service and solution. Let us make a better world for our industry!



Contact us

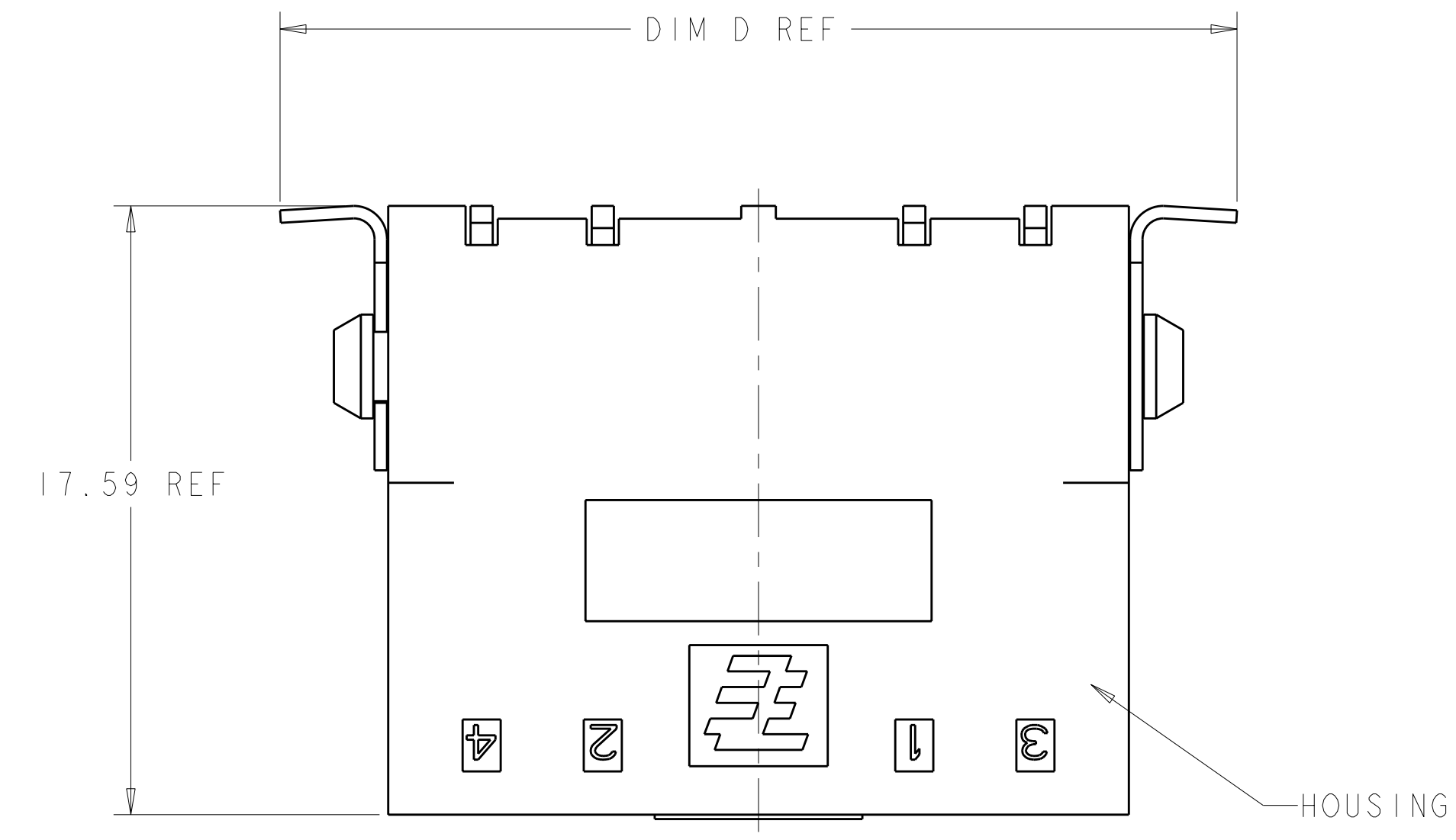
Tel: +86-755-8981 8866 Fax: +86-755-8427 6832

Email & Skype: info@chipsmall.com Web: www.chipsmall.com

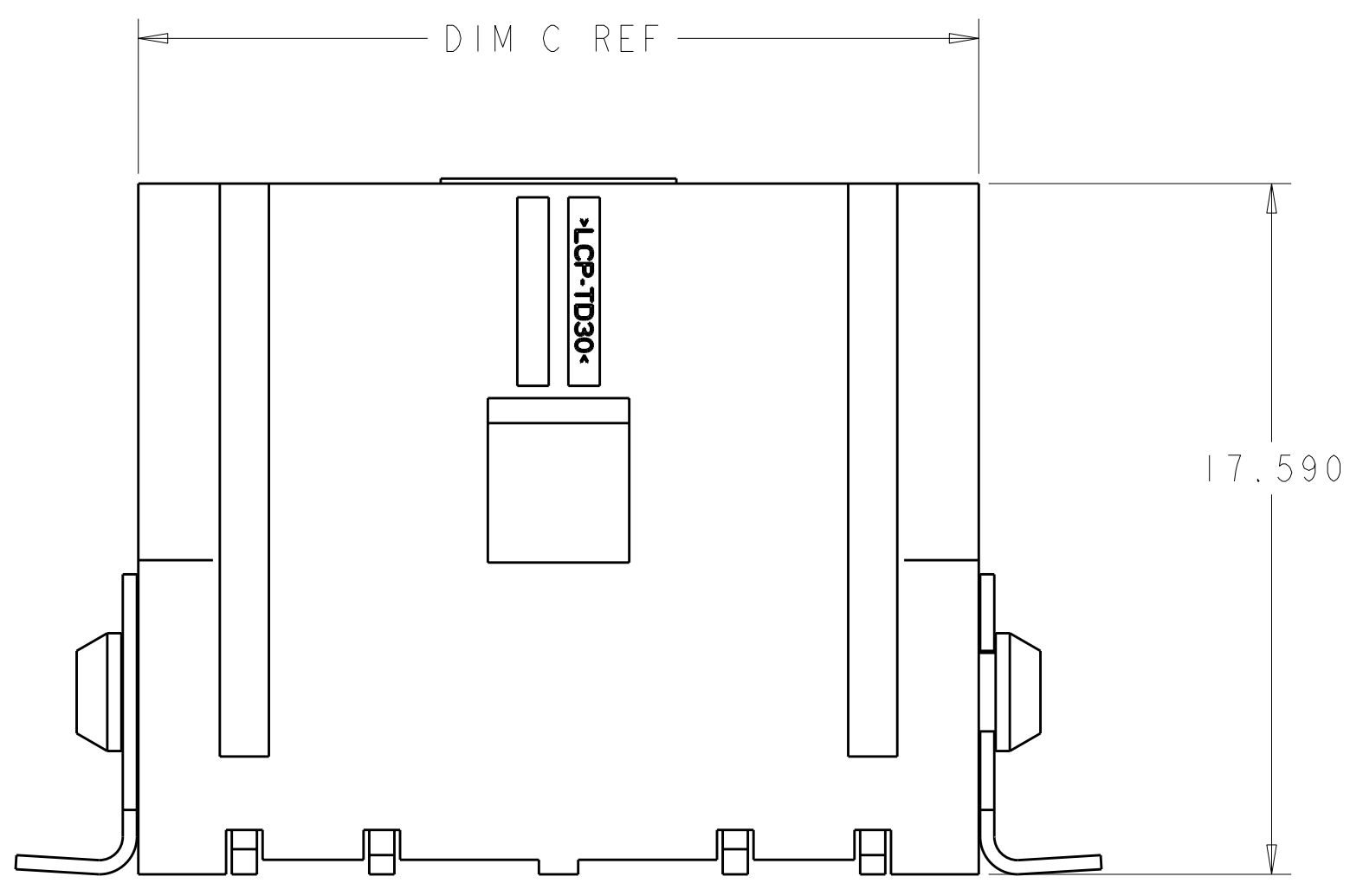
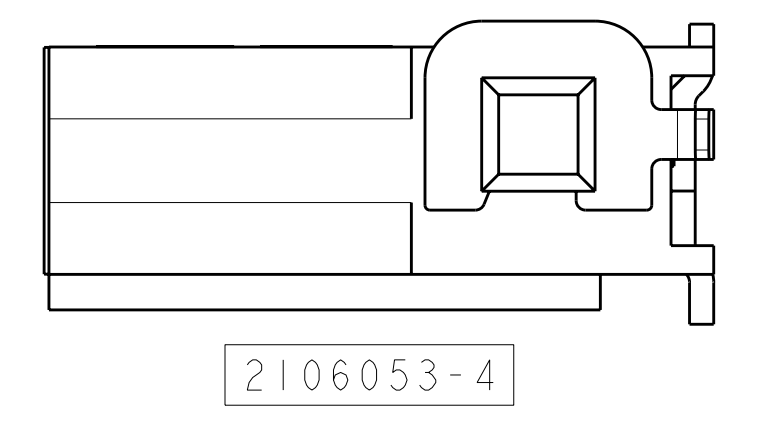
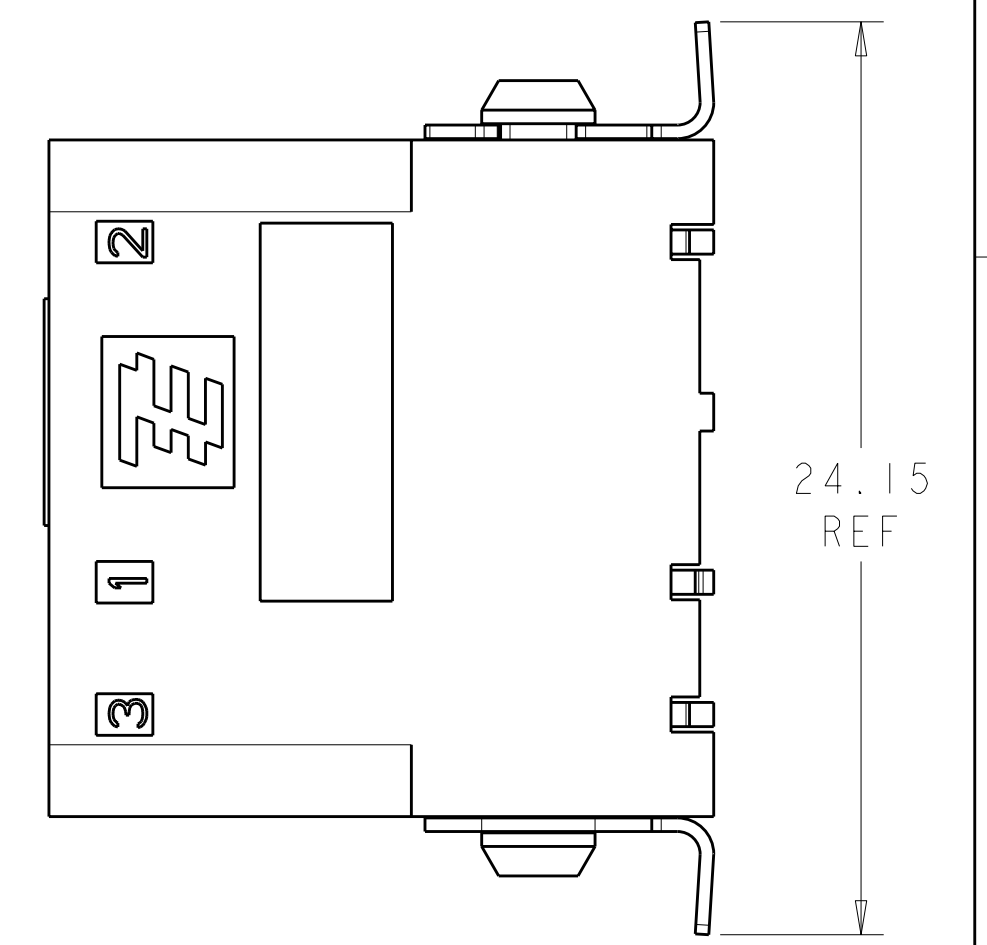
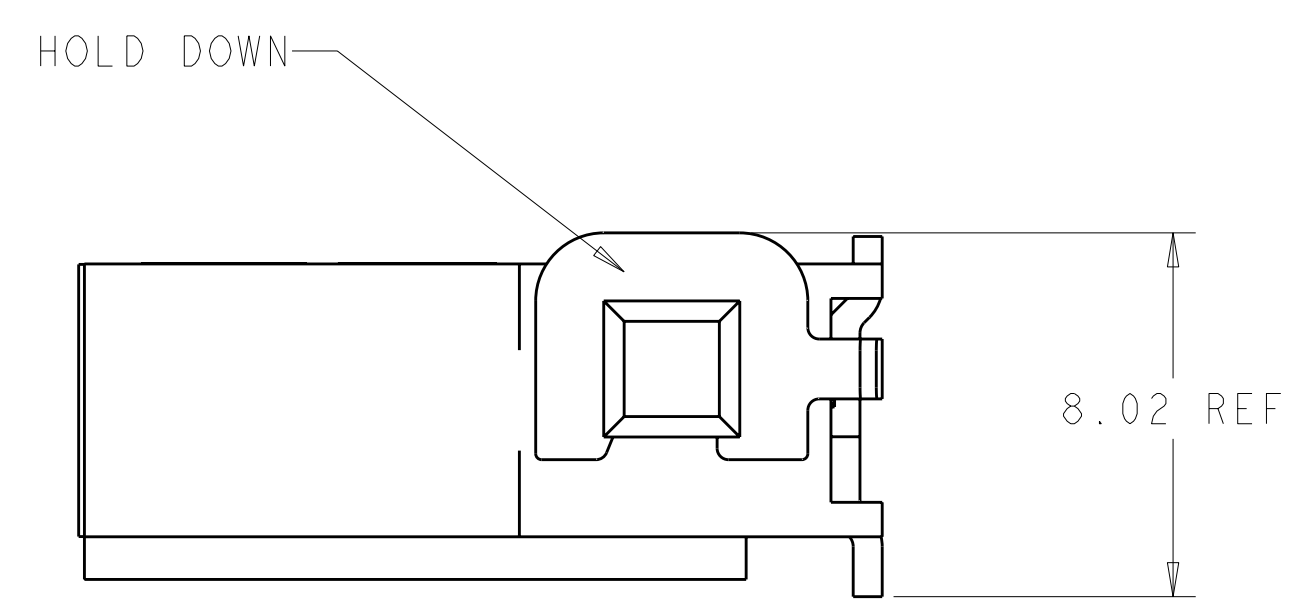
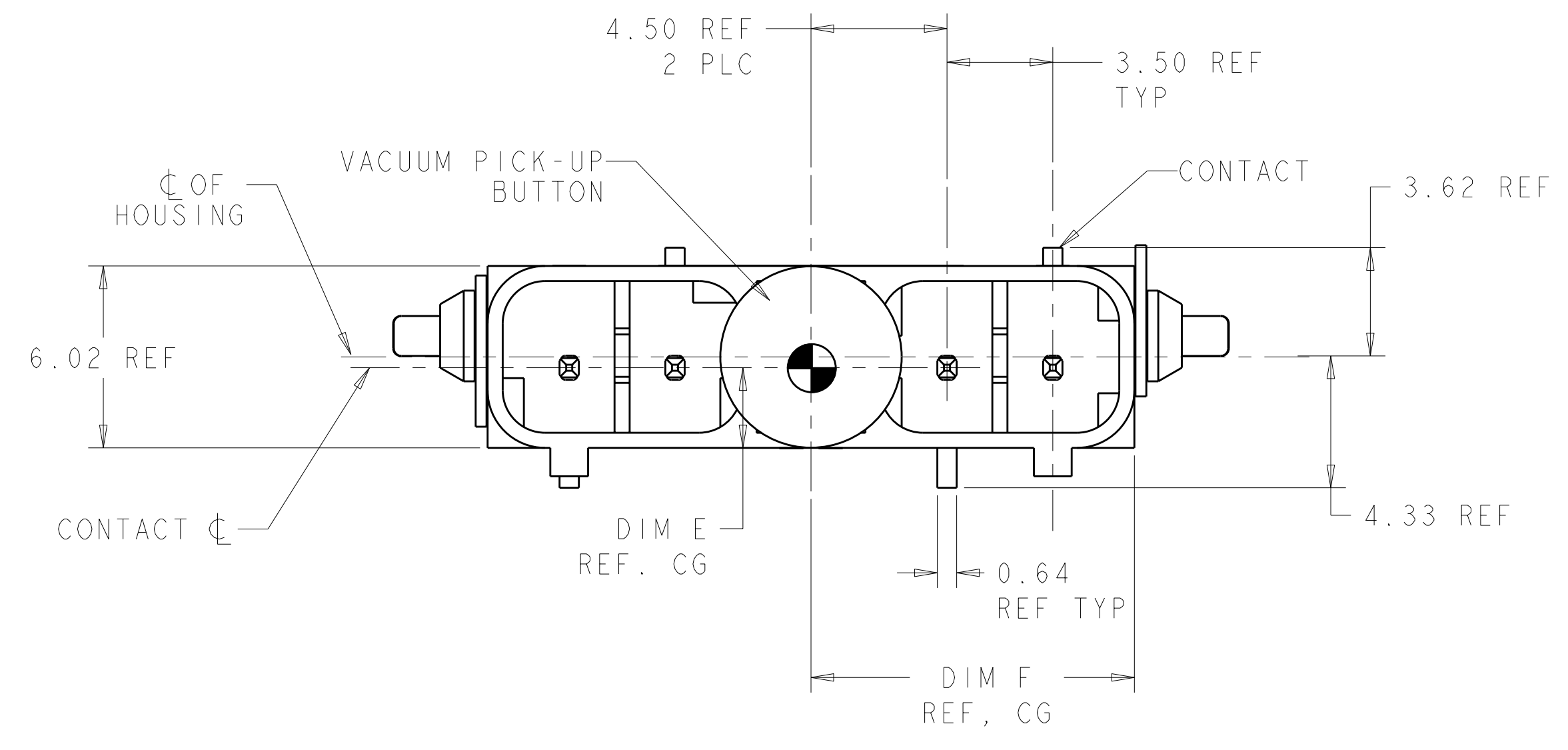
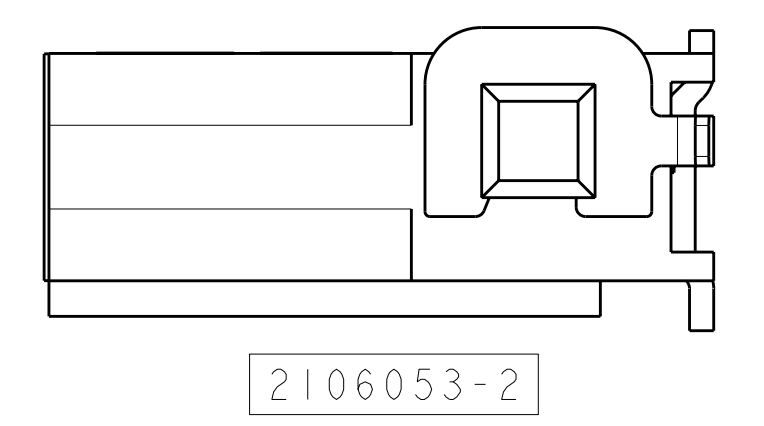
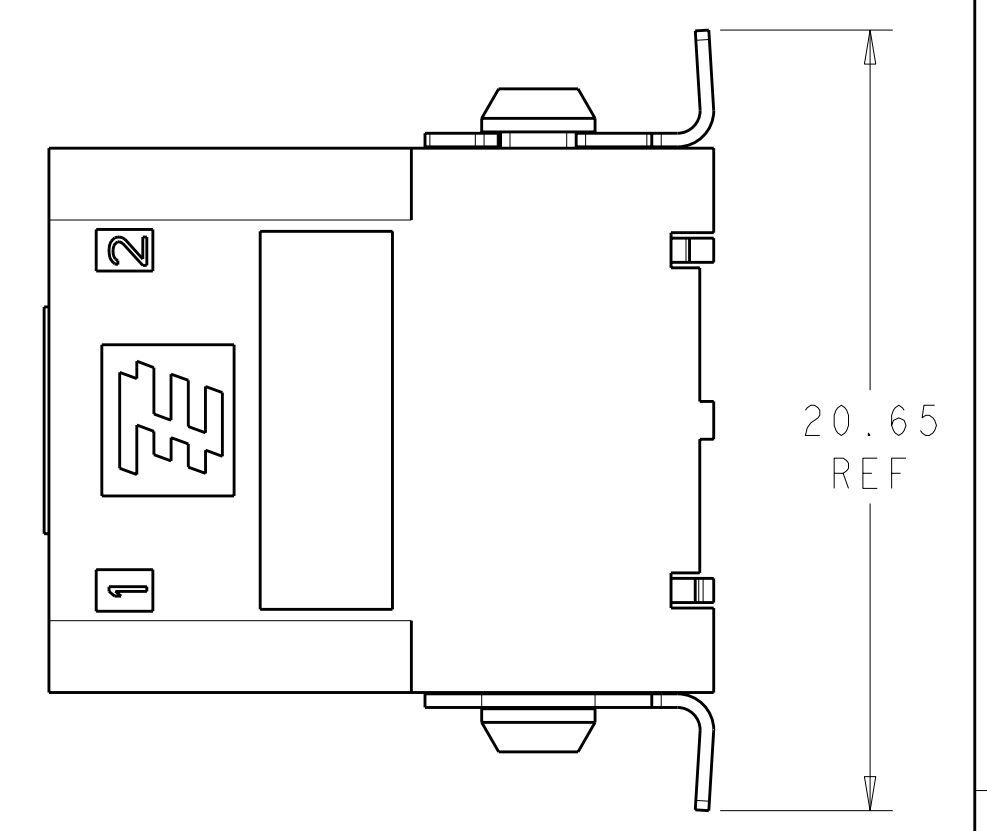
Address: A1208, Overseas Decoration Building, #122 Zhenhua RD., Futian, Shenzhen, China



LOC	DIST	REVISIONS			
CM	00	REV	DATE	BY	APPD
		A1	28MAR2011	RK	HMR
		A2	25FEB2012	HVG	DD



- 1 MATERIAL: HOUSING: LCP, COLOR: BLACK.
- 2 CONTACTS: BRASS.
FINISH: 2.54µm MIN MATTE TIN OVER NICKEL (ENTIRE POST).
HOLDDOWN: COPPER ALLOY.
FINISH: 2.54µm MIN MATTE TIN OVER NICKEL.
- 3 VACUUM PICK-UP BUTTON: POLYIMIDE.
- 4 THIS PRODUCT HAS NOT COMPLETED VALIDATION TESTING.
- 5 RECOMMENDED PC BOARD THICKNESS OF 1.57.
- 6 TAPE AND REEL PACKAGING PER EIA-481 SPEC.
- 7 MUST COMPLY WITH DIRECTIVE 2002/95/EC (ROHS).



10.69	2.94	27.65	21.40	12.46	12.46	4	2106053-6
8.95	2.95	24.15	17.90	8.96	12.46	3	2106053-4
7.19	2.93	20.65	14.40	8.96	8.96	2	2106053-2
DIM F	DIM E	DIM D	DIM C	DIM B	DIM A	POSN	PART NUMBER

THIS DRAWING IS A CONTROLLED DOCUMENT.

DIMENSIONS: mm
 TOLERANCES UNLESS OTHERWISE SPECIFIED:
 9 PLC ±0.2
 5 PLC ±0.15
 4 PLC ±0.1
 ANGLES ±0°

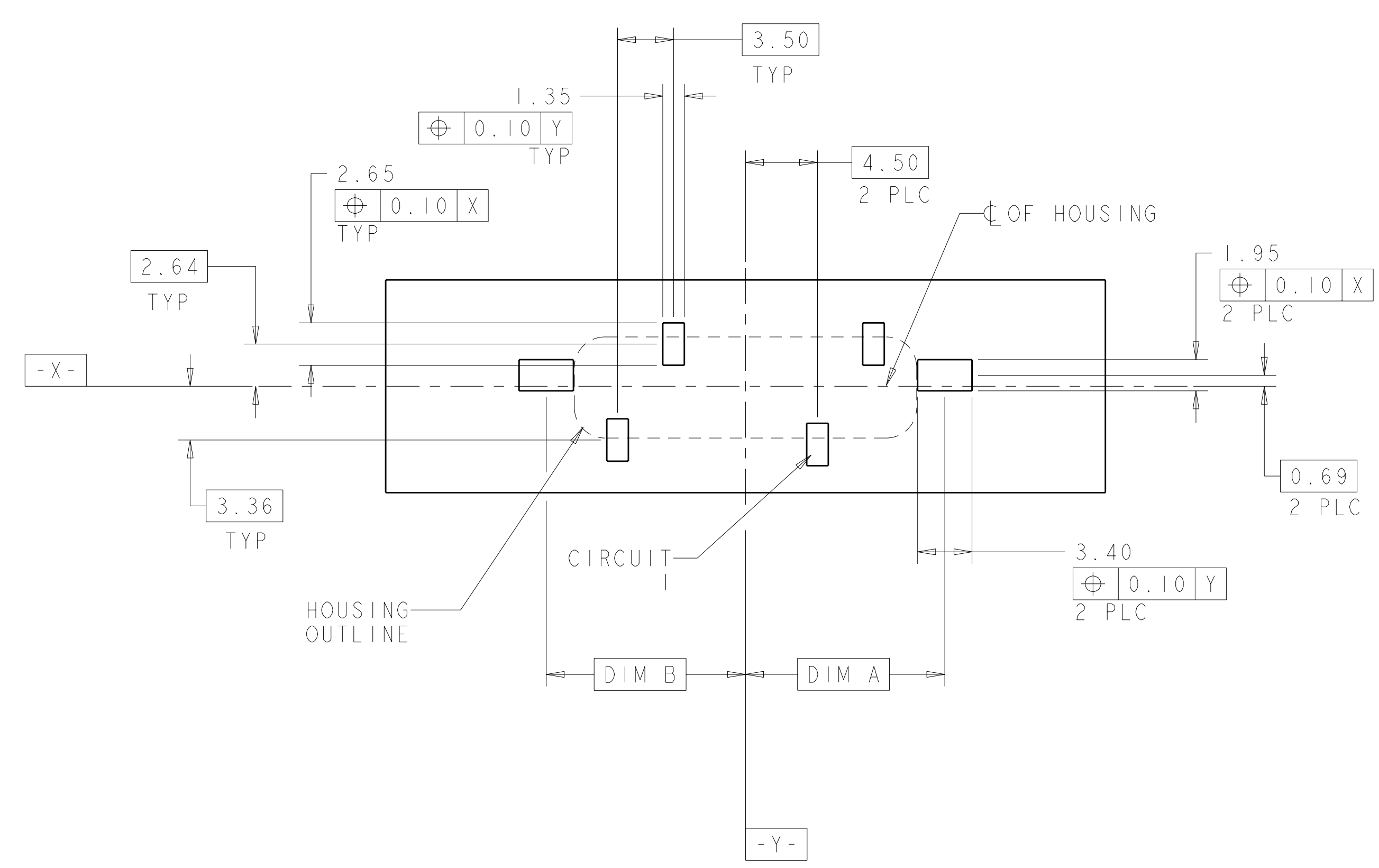
MATERIAL: LCP-1090
 FINISH: 2

DWN: WM VAN SCOICK 23JAN2009
 CHK: A. BUCHER 23JAN2009
 APVD: A. BUCHER 23JAN2009

PRODUCT SPEC: 108-2391
 APPLICATION SPEC: 114-13261
 WEIGHT: -

STE TE Connectivity
 ASSEMBLY, VERTICAL SMT HEADER, SLIMSEAL SSL CONNECTOR
 SIZE: CAGE CODE DRAWING NO: A100779C=2106053
 RESTRICTED TO: CUSTOMER DRAWING
 SCALE: 4:1 SHEET 1 OF 2 REV A2

LOC	DIST	REV	DATE	BY	APPD
CM	00				
		REVISIONS			



RECOMMENDED PC BOARD PAD LAYOUT, COMPONENT SIDE
 DIMENSIONS APPLY TO ALL POSITIONS UNLESS OTHERWISE NOTED

THIS DRAWING IS A CONTROLLED DOCUMENT.		DWN: MM. VAN SCOIC 23JAN2009 CHK: A. BUCHER 23JAN2009 APVD: A. BUCHER 23JAN2009	NAME: ASSEMBLY, VERTICAL SMT HEADER, SLIMSEAL SSL CONNECTOR PRODUCT SPEC: 108-2391 APPLICATION SPEC: 114-13261 WEIGHT: - CUSTOMER DRAWING	SIZE: A CAGE CODE: - DRAWING NO: A100779C-2106053 SCALE: 4:1 SHEET: 2 OF 2 REV: A2
DIMENSIONS: mm TOLERANCES UNLESS OTHERWISE SPECIFIED: 9 PLC ± 2 PLC ±0.2 3 PLC ±0.15 5 PLC ± 4 PLC ± ANGLES ±°0'	FINISH:	RESTRICTED TO: -	TE Connectivity	