



Chipsmall Limited consists of a professional team with an average of over 10 year of expertise in the distribution of electronic components. Based in Hongkong, we have already established firm and mutual-benefit business relationships with customers from,Europe,America and south Asia,supplying obsolete and hard-to-find components to meet their specific needs.

With the principle of "Quality Parts,Customers Priority,Honest Operation,and Considerate Service",our business mainly focus on the distribution of electronic components. Line cards we deal with include Microchip,ALPS,ROHM,Xilinx,Pulse,ON,Everlight and Freescale. Main products comprise IC,Modules,Potentiometer,IC Socket,Relay,Connector.Our parts cover such applications as commercial,industrial, and automotives areas.

We are looking forward to setting up business relationship with you and hope to provide you with the best service and solution. Let us make a better world for our industry!



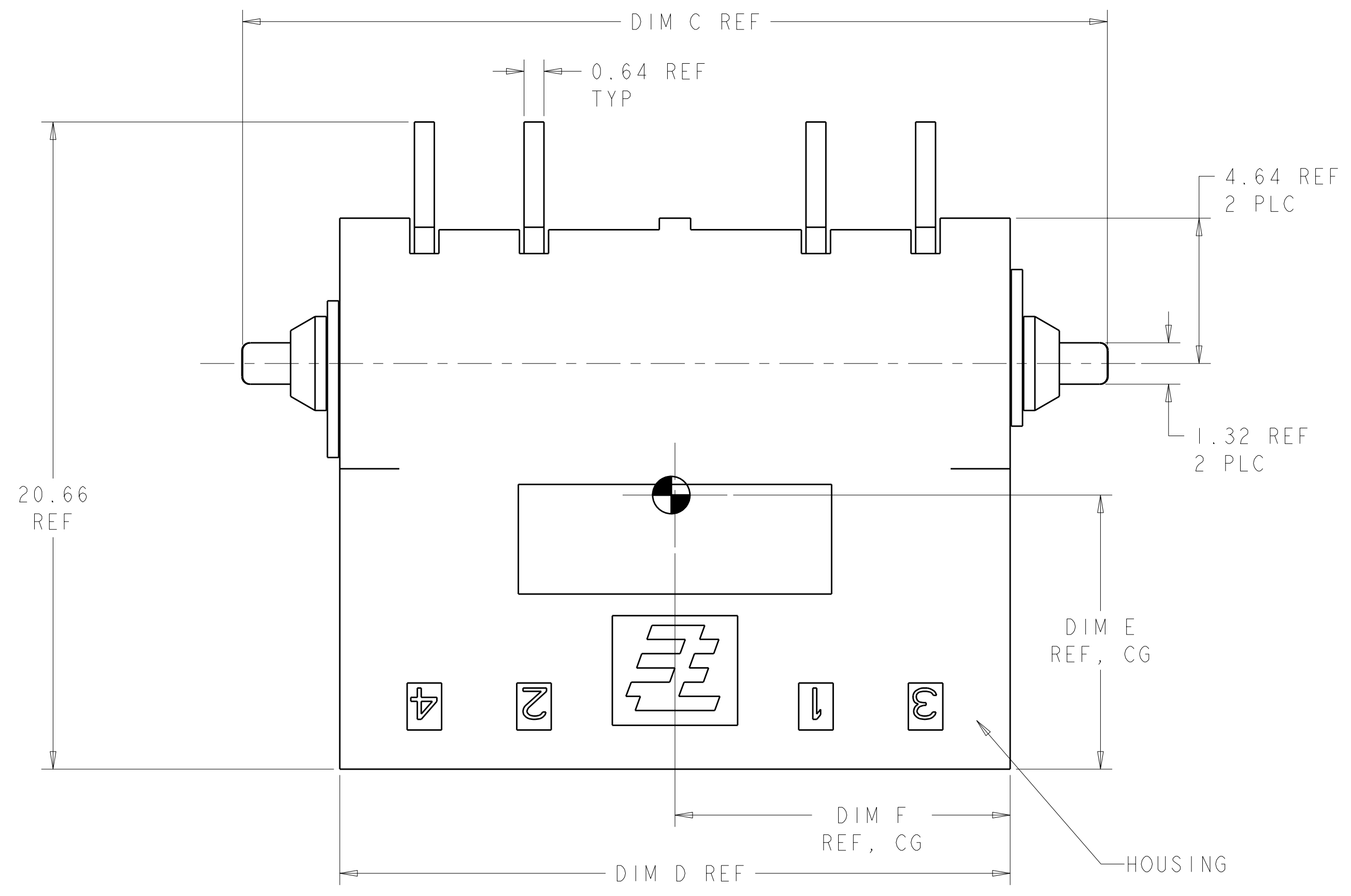
Contact us

Tel: +86-755-8981 8866 Fax: +86-755-8427 6832

Email & Skype: info@chipsmall.com Web: www.chipsmall.com

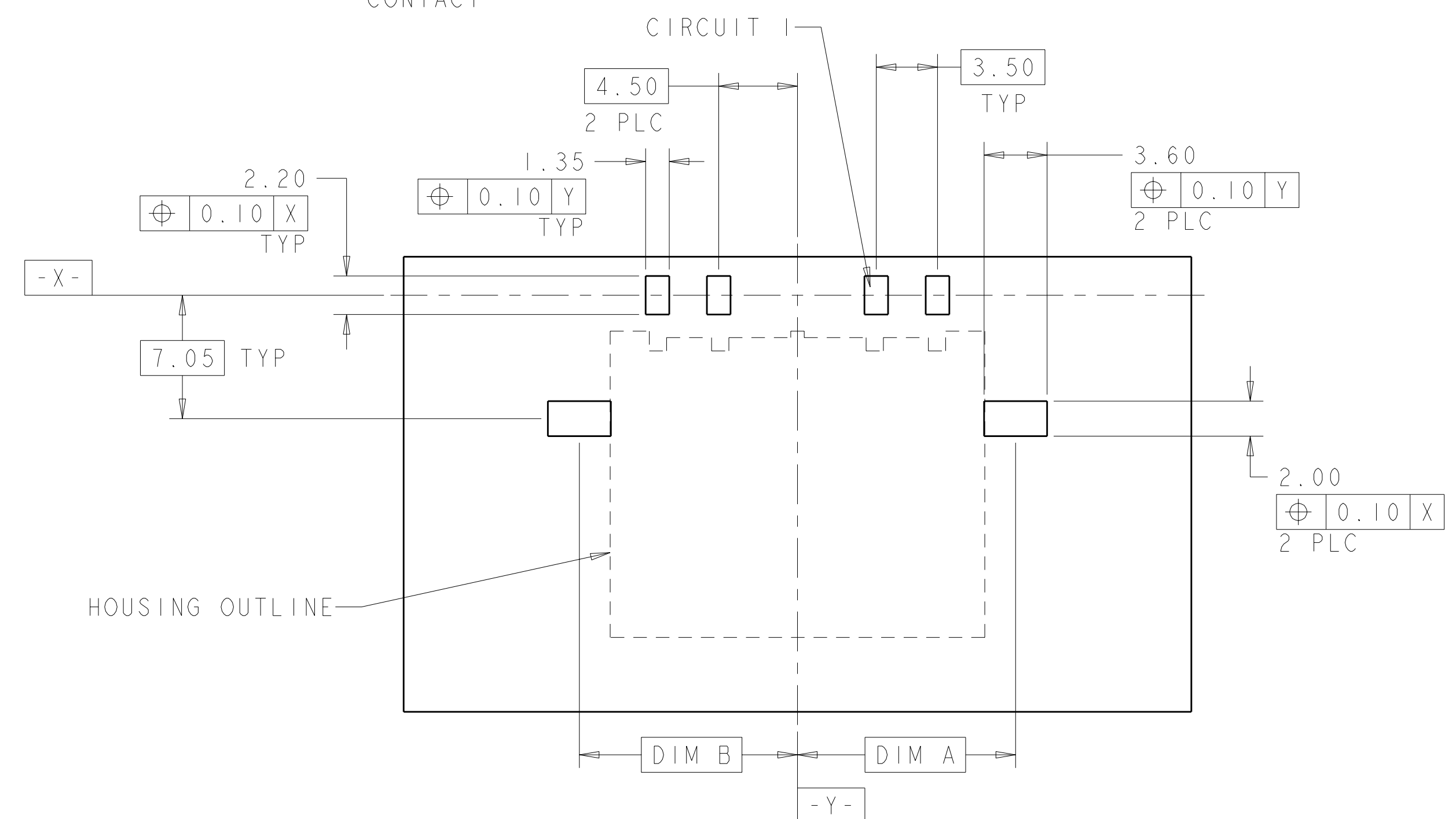
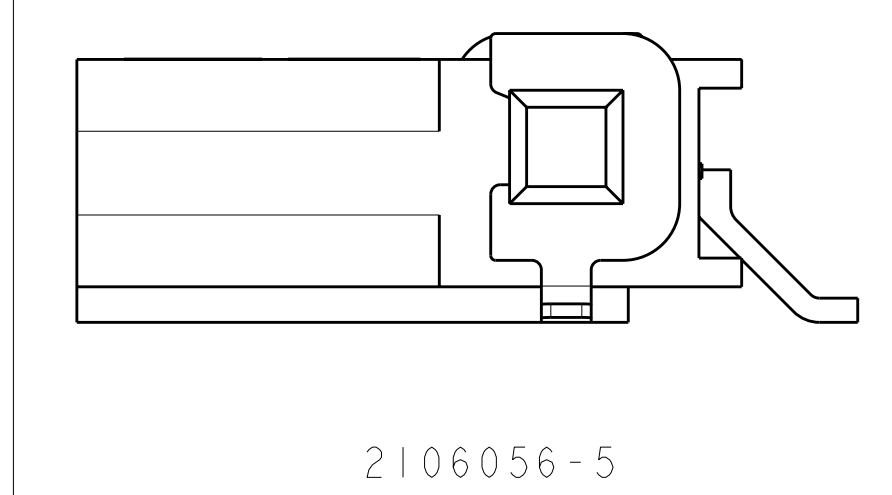
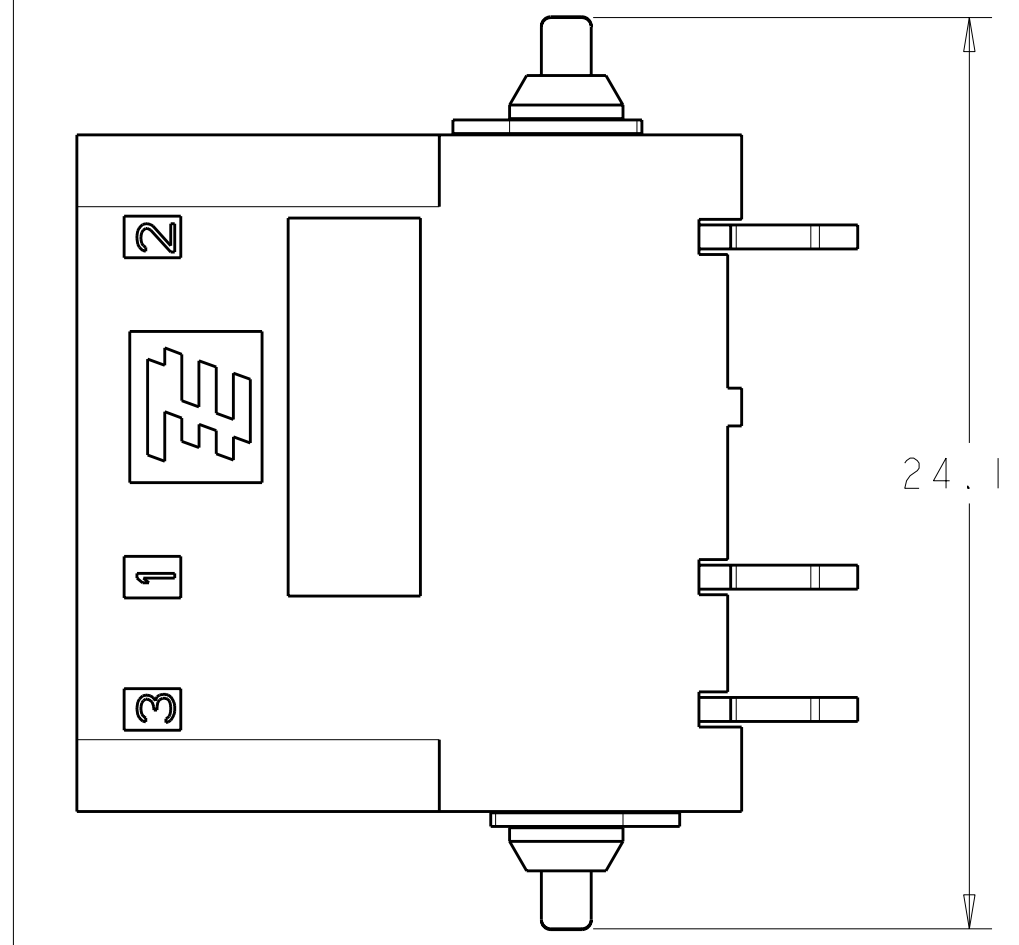
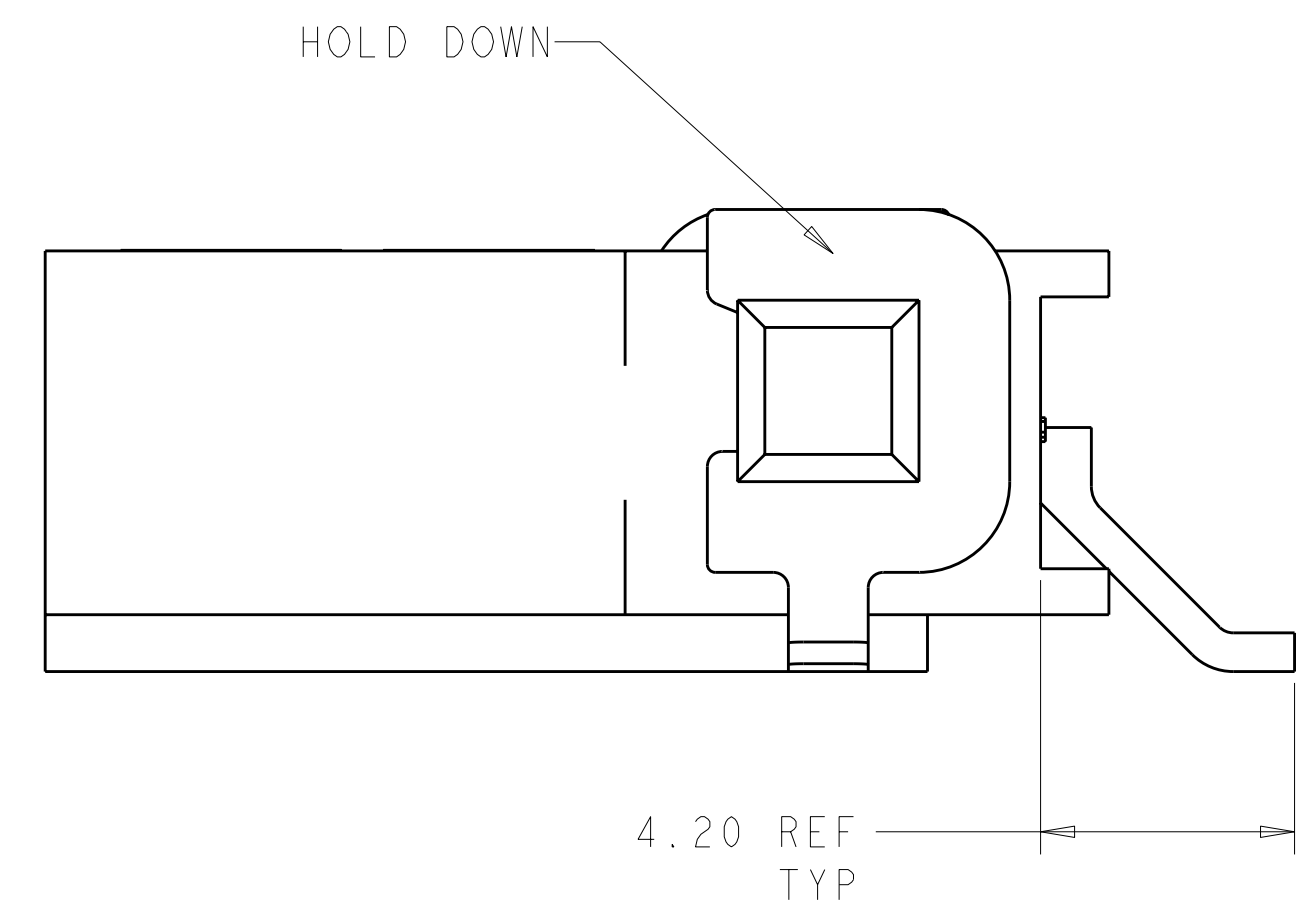
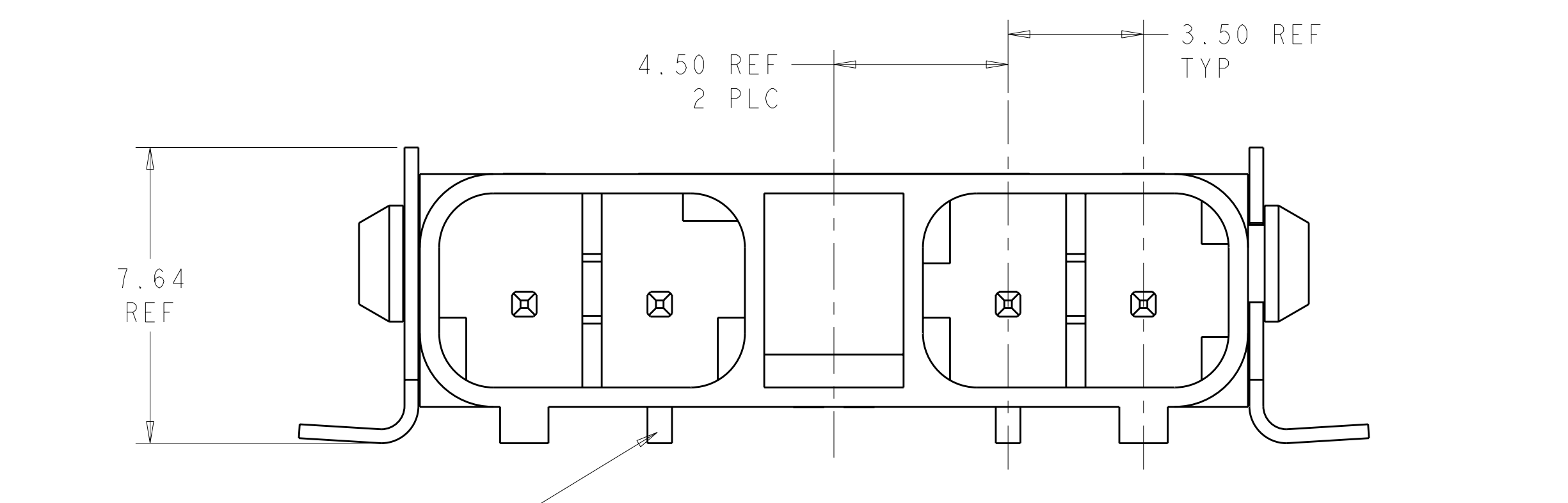
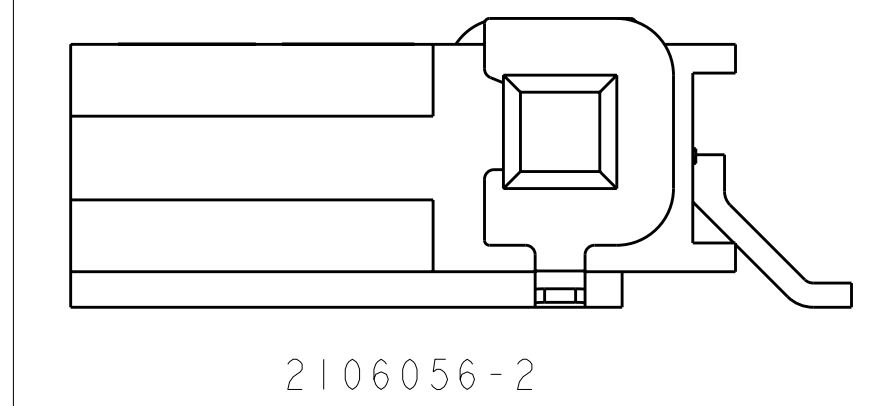
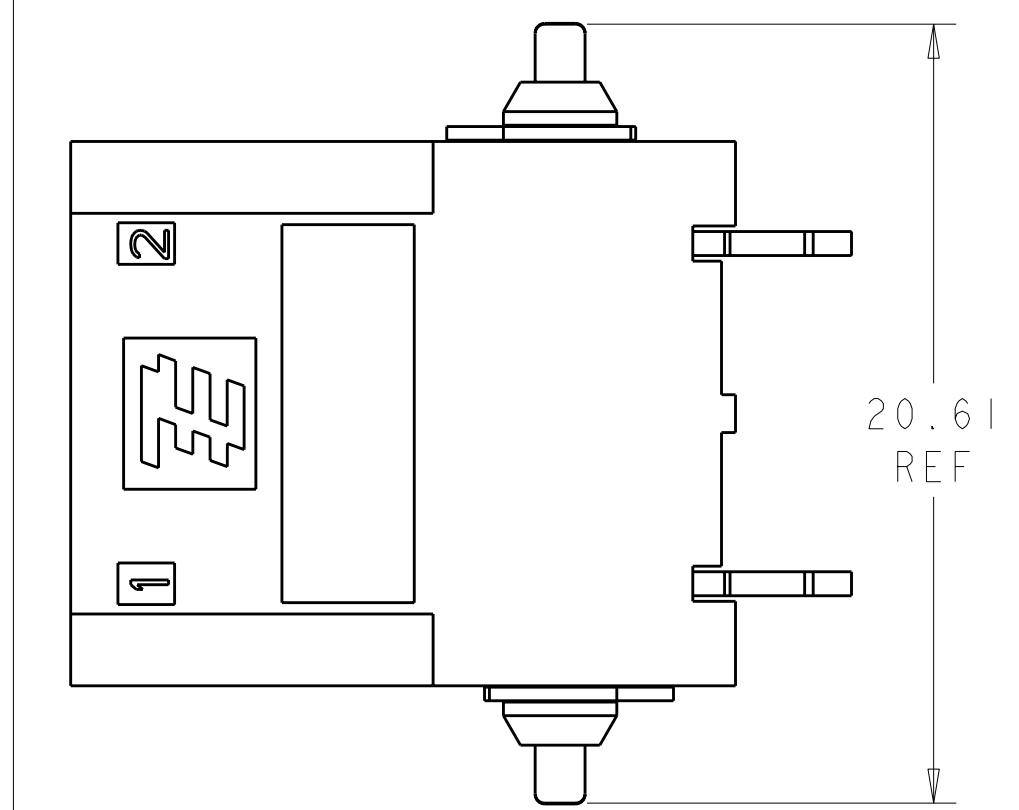
Address: A1208, Overseas Decoration Building, #122 Zhenhua RD., Futian, Shenzhen, China





- △ MATERIAL: HOUSING: LCP, COLOR: BLACK.
- CONTACTS: BRASS.
FINISH: 2.54µm MIN MATTE TIN OVER NICKEL (ENTIRE POST).
- HOLDDOWN: COPPER ALLOY.
FINISH: 2.54µm MIN MATTE TIN OVER NICKEL.
- 2. THIS PRODUCT HAS NOT COMPLETED VALIDATION TESTING.
- △ RECOMMENDED PC BOARD THICKNESS OF 1.57.
- 4. TAPE AND REEL PACKAGING PER EIA-481 SPEC.
- 5. MUST COMPLY WITH DIRECTIVE 2002/95/EC (ROHS).

LOC	DIST	REV	DATE	BY	CHK	APPV
CM	00	A2	11MAR2011	RK	HMR	



10.69	10.81	21.40	27.61	12.46	12.46	4	2106056-8
8.94	10.68	17.90	24.11	8.96	12.46	3	2106056-5
7.19	10.51	14.40	20.61	8.96	8.96	2	2106056-2
DIM F	DIM E	DIM D	DIM C	DIM B	DIM A	POSN	PART NUMBER

RECOMMENDED PC BOARD PAD LAYOUT, COMPONENT SIDE △
 DIMENSIONS APPLY TO ALL POSITIONS UNLESS OTHERWISE NOTED

THIS DRAWING IS A CONTROLLED DOCUMENT. DWG: MM_VAN_SCHIC 26FEB2009
 CHK: A_BUCHER 26FEB2009
 APVD: A_BUCHER 26FEB2009

TE Connectivity

ASSEMBLY
 RIGHT ANGLE SMT HEADER
 SLIMSEAL SSL CONNECTOR

114-13261
 WEIGHT: -
 CUSTOMER DRAWING

SCALE: 4:1 SHEET 1 OF 1 REV: A2