



Chipsmall Limited consists of a professional team with an average of over 10 year of expertise in the distribution of electronic components. Based in Hongkong, we have already established firm and mutual-benefit business relationships with customers from,Europe,America and south Asia,supplying obsolete and hard-to-find components to meet their specific needs.

With the principle of “Quality Parts,Customers Priority,Honest Operation,and Considerate Service”,our business mainly focus on the distribution of electronic components. Line cards we deal with include Microchip,ALPS,ROHM,Xilinx,Pulse,ON,Everlight and Freescale. Main products comprise IC,Modules,Potentiometer,IC Socket,Relay,Connector.Our parts cover such applications as commercial,industrial, and automotives areas.

We are looking forward to setting up business relationship with you and hope to provide you with the best service and solution. Let us make a better world for our industry!



Contact us

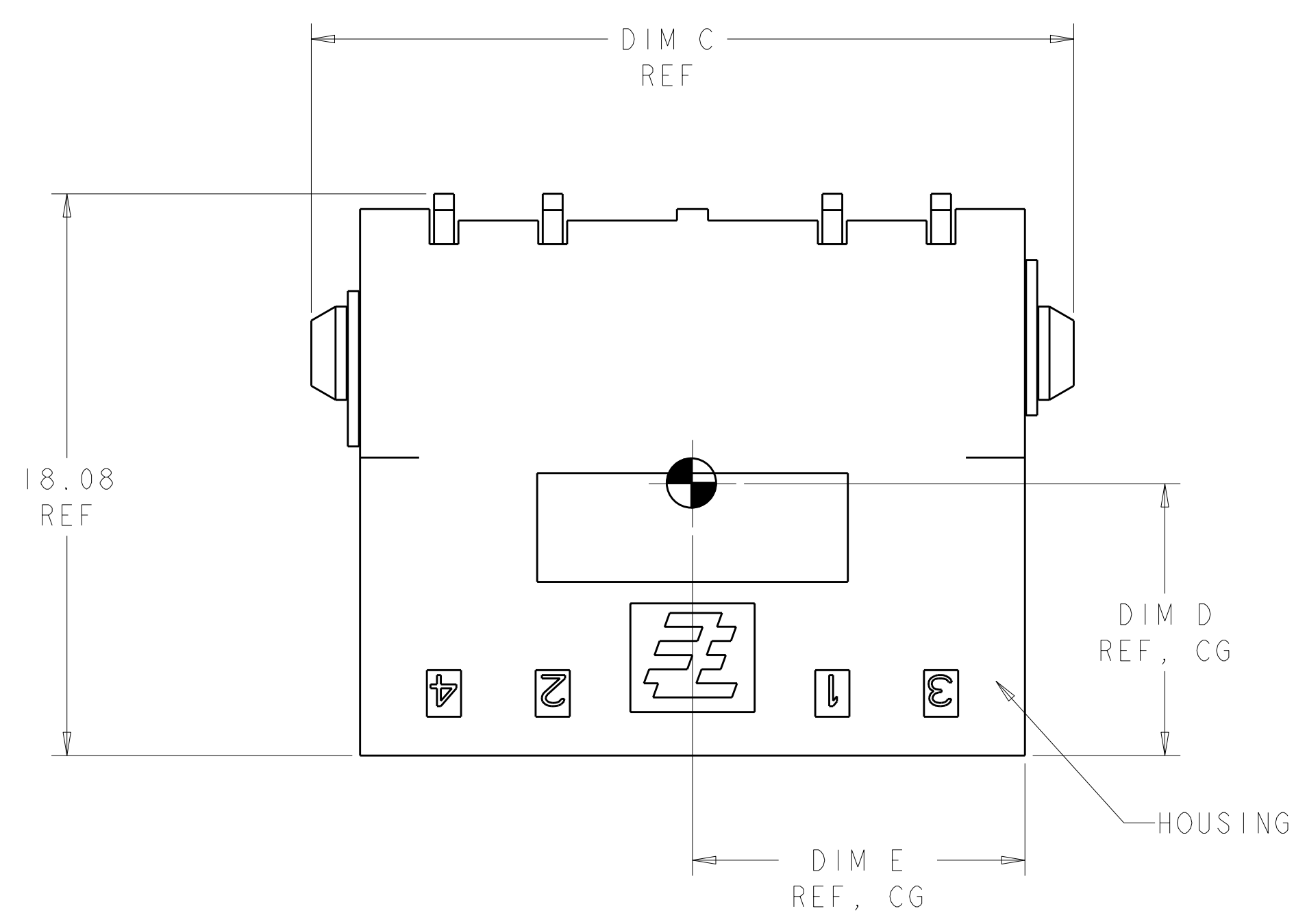
Tel: +86-755-8981 8866 Fax: +86-755-8427 6832

Email & Skype: info@chipsmall.com Web: www.chipsmall.com

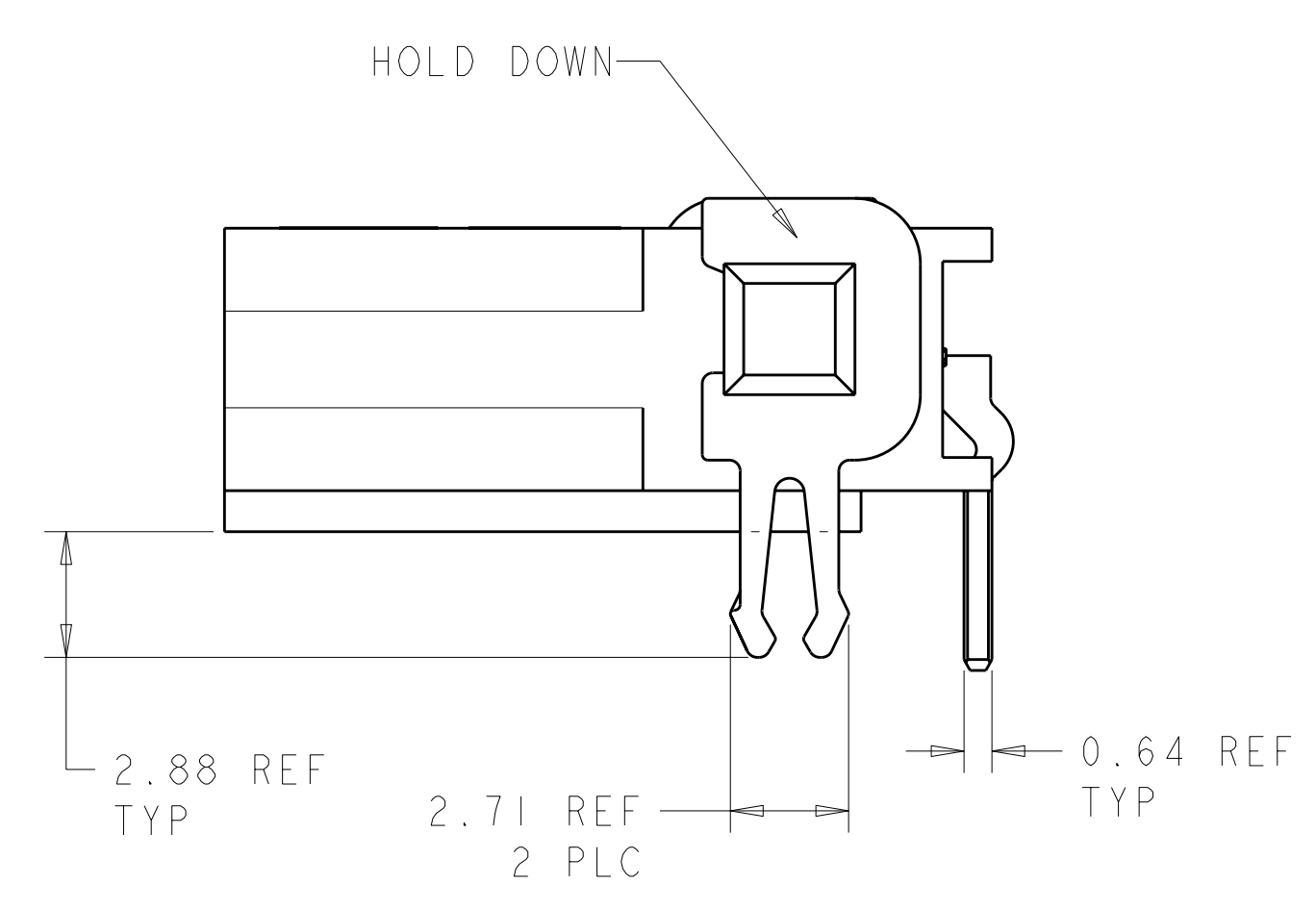
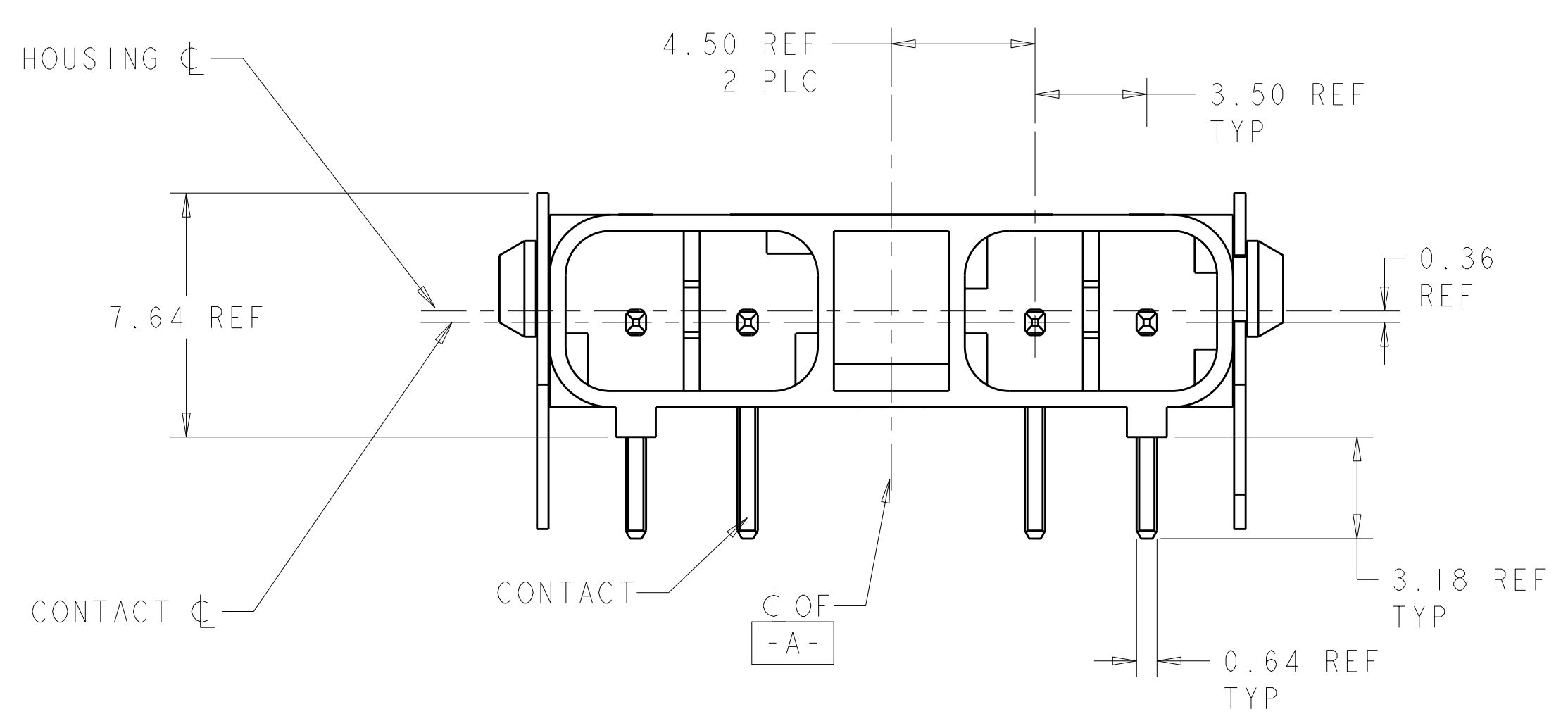
Address: A1208, Overseas Decoration Building, #122 Zhenhua RD., Futian, Shenzhen, China



LOC	DIST	REVISIONS			
		REV	DATE	BY	APPD
CM	00	A	07 JUL 2010	HMR	DD



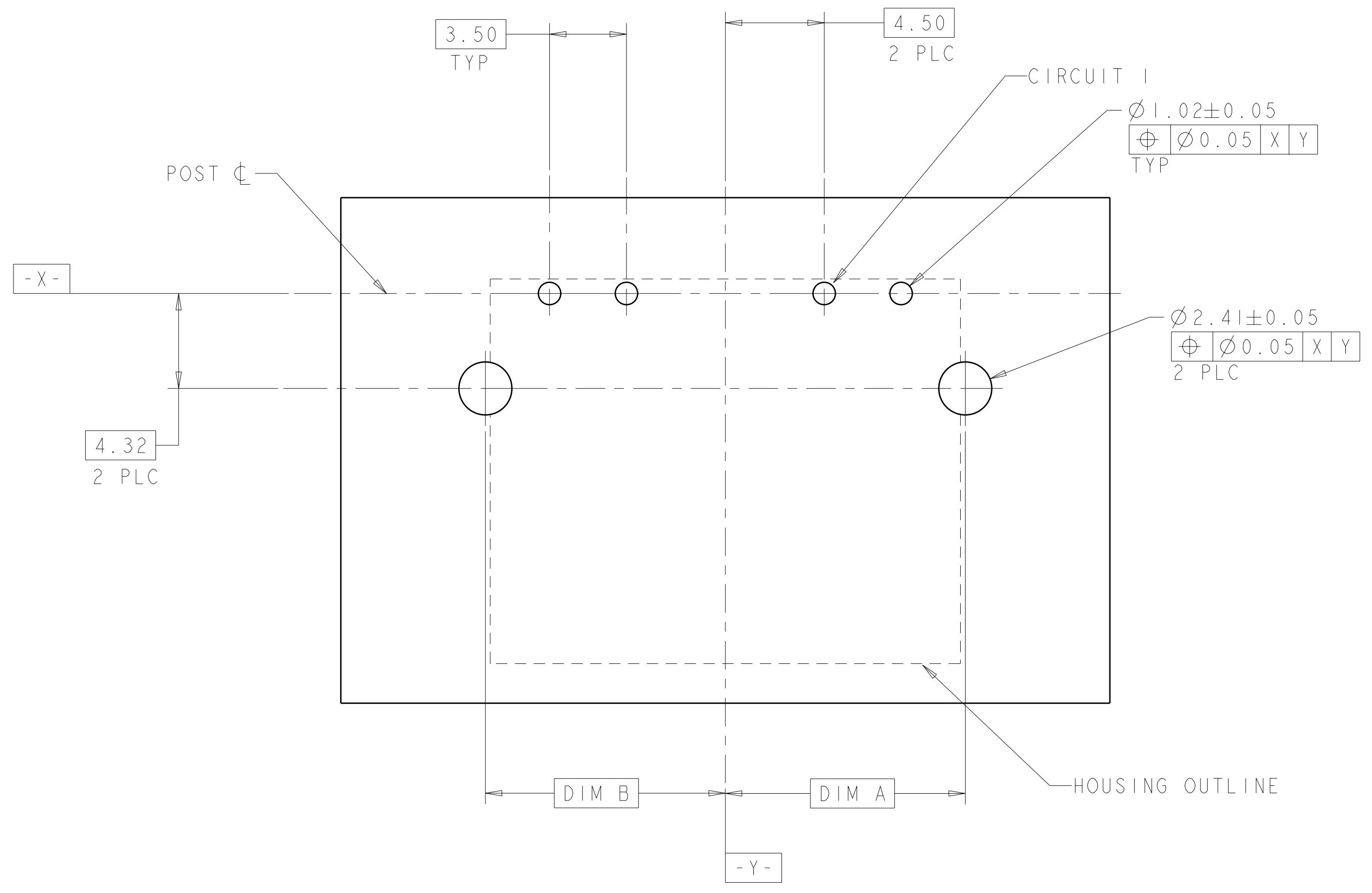
- 1 MATERIAL: HOUSING: LCP, COLOR: BLACK.
- 2 CONTACTS: BRASS.
FINISH: 2.54µm MIN MATTE TIN OVER NICKEL (ENTIRE POST).
- 3 HOLDDOWN: COPPER ALLOY.
FINISH: 2.54µm MIN MATTE TIN OVER NICKEL .
- 4. THIS PRODUCT HAS NOT COMPLETED VALIDATION TESTING.
- 5 RECOMMENDED PC BOARD THICKNESS OF 1.57.
- 6. PACKAGED IN TUBES.
- 7. MUST COMPLY WITH DIRECTIVE 2002/95/EC (ROHS).



10.69	10.89	24.54	10.92	10.92	4	2106111-6
8.92	10.75	21.04	7.42	10.92	3	2106111-4
7.19	10.57	17.54	7.42	7.42	2	2106111-2
DIM E	DIM D	DIM C	DIM B	DIM A	POSN	PART NUMBER

<small>THIS DRAWING IS UNPUBLISHED. RELEASED FOR PUBLICATION BY TYCO ELECTRONICS CORPORATION, ALL RIGHTS RESERVED.</small>		DWN: MM VAN SCIO 20FEB2009 CHK: A. BUCHER 20FEB2009 APVD: A. BUCHER 20FEB2009	Tyco Electronics Harrisburg, PA 17105-3608
DIMENSIONS: mm 	TOLERANCES UNLESS OTHERWISE SPECIFIED: 9 PLC ± 1 PLC ±0.13 5 PLC ±0.013 4 PLC ± ANGLES ±2°	NAME: ASSEMBLY, RIGHT ANGLE THRU-HOLE HEADER, SLIMSEAL SSL CONNECTOR PRODUCT SPEC: 108-2391 APPLICATION SPEC: 114-13261 WEIGHT: - CUSTOMER DRAWING	SIZE: A CAGE CODE: 100779 DRAWING NO: C=2106111 RESTRICTED TO: - SCALE: 4:1 SHEET: 1 OF 2 REV: A

LOC	DIST	REVISIONS			
		REV	DATE	BY	APPD
CM	00	-	-	-	-
		SEE SHEET 1			



RECOMMENDED PC BOARD HOLE LAYOUT, COMPONENT SIDE $\triangle 5$
 DIMENSIONS APPLY TO ALL POSITIONS, UNLESS OTHERWISE NOTED

<small>THIS DRAWING IS UNPUBLISHED. RELEASED FOR PUBLICATION BY TYCO ELECTRONICS CORPORATION. IT IS SUBJECT TO CHANGE WITHOUT NOTICE. DIMENSIONS AND TOLERANCES SHOWN ARE THE MANUFACTURER'S DIMENSIONS AND TOLERANCES. THIS DRAWING IS NOT TO BE USED FOR PRODUCTION WITHOUT THE APPROVAL OF TYCO ELECTRONICS CORPORATION. CONTACT TYCO ELECTRONICS CORPORATION FOR THE LATEST REVISION.</small>		DWN: MM.VAN SCIO 20FEB2009 CHK: A.BUCHER 20FEB2009 APVD: A.BUCHER 20FEB2009	Tyco Electronics Harrisburg, PA 17105-3608
DIMENSIONS: mm 	TOLERANCES UNLESS OTHERWISE SPECIFIED: 9 PLC ± 1 PLC ±.13 5 PLC ±0.013 4 PLC ± ANGLES ±2°	NAME: ASSEMBLY, RIGHT ANGLE THRU-HOLE HEADER, SLIMSEAL SSL CONNECTOR PRODUCT SPEC: 108-2391 APPLICATION SPEC: SIZE: 114-13261 WEIGHT: - FINISH: -	RESTRICTED TO: - SCALE: 4:1 SHEET: 2 OF 2 REV: A
MATERIAL:		CUSTOMER DRAWING A100779C=2106111	