



Chipsmall Limited consists of a professional team with an average of over 10 year of expertise in the distribution of electronic components. Based in Hongkong, we have already established firm and mutual-benefit business relationships with customers from,Europe,America and south Asia,supplying obsolete and hard-to-find components to meet their specific needs.

With the principle of “Quality Parts,Customers Priority,Honest Operation,and Considerate Service”,our business mainly focus on the distribution of electronic components. Line cards we deal with include Microchip,ALPS,ROHM,Xilinx,Pulse,ON,Everlight and Freescale. Main products comprise IC,Modules,Potentiometer,IC Socket,Relay,Connector.Our parts cover such applications as commercial,industrial, and automotives areas.

We are looking forward to setting up business relationship with you and hope to provide you with the best service and solution. Let us make a better world for our industry!



## Contact us

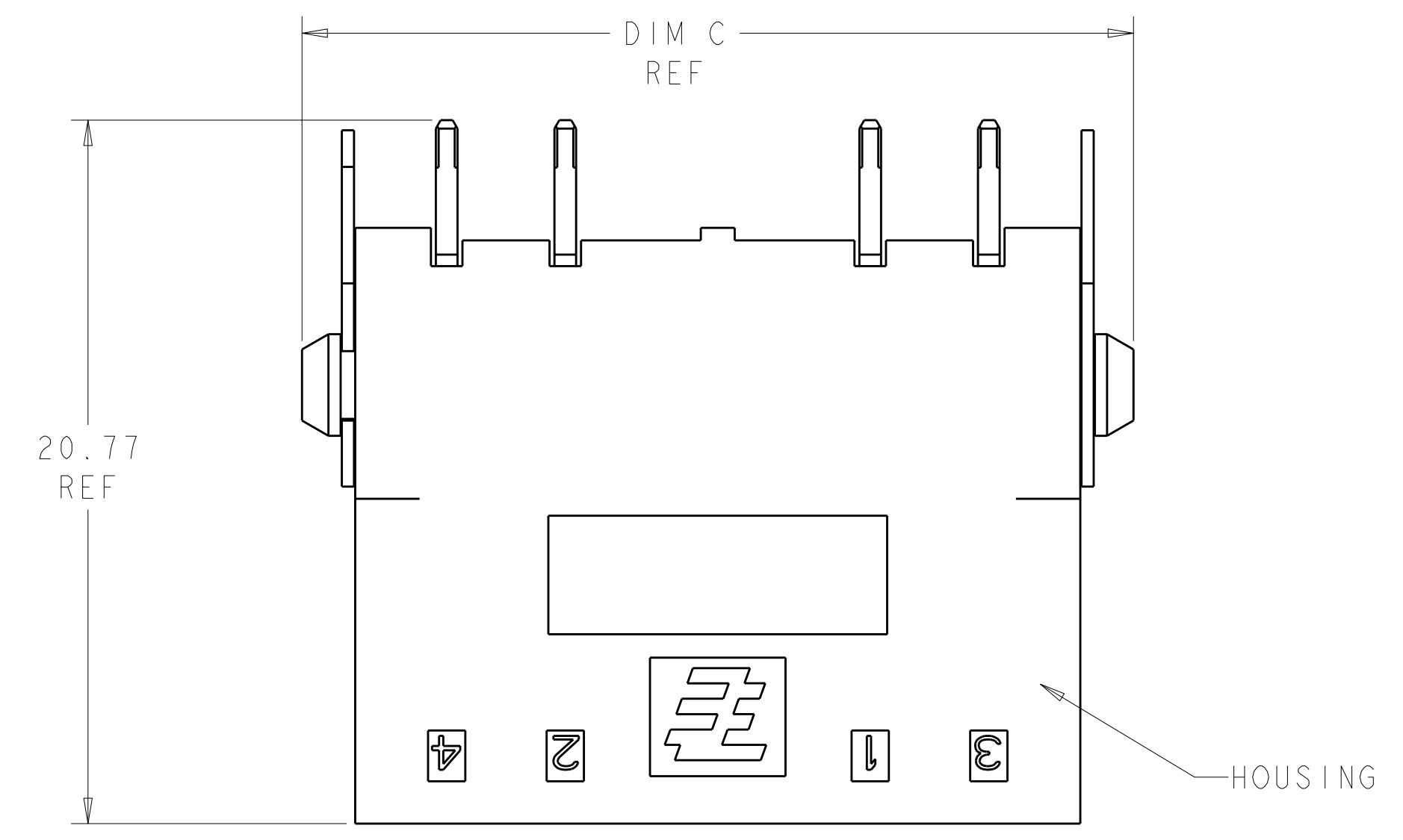
Tel: +86-755-8981 8866 Fax: +86-755-8427 6832

Email & Skype: info@chipsmall.com Web: www.chipsmall.com

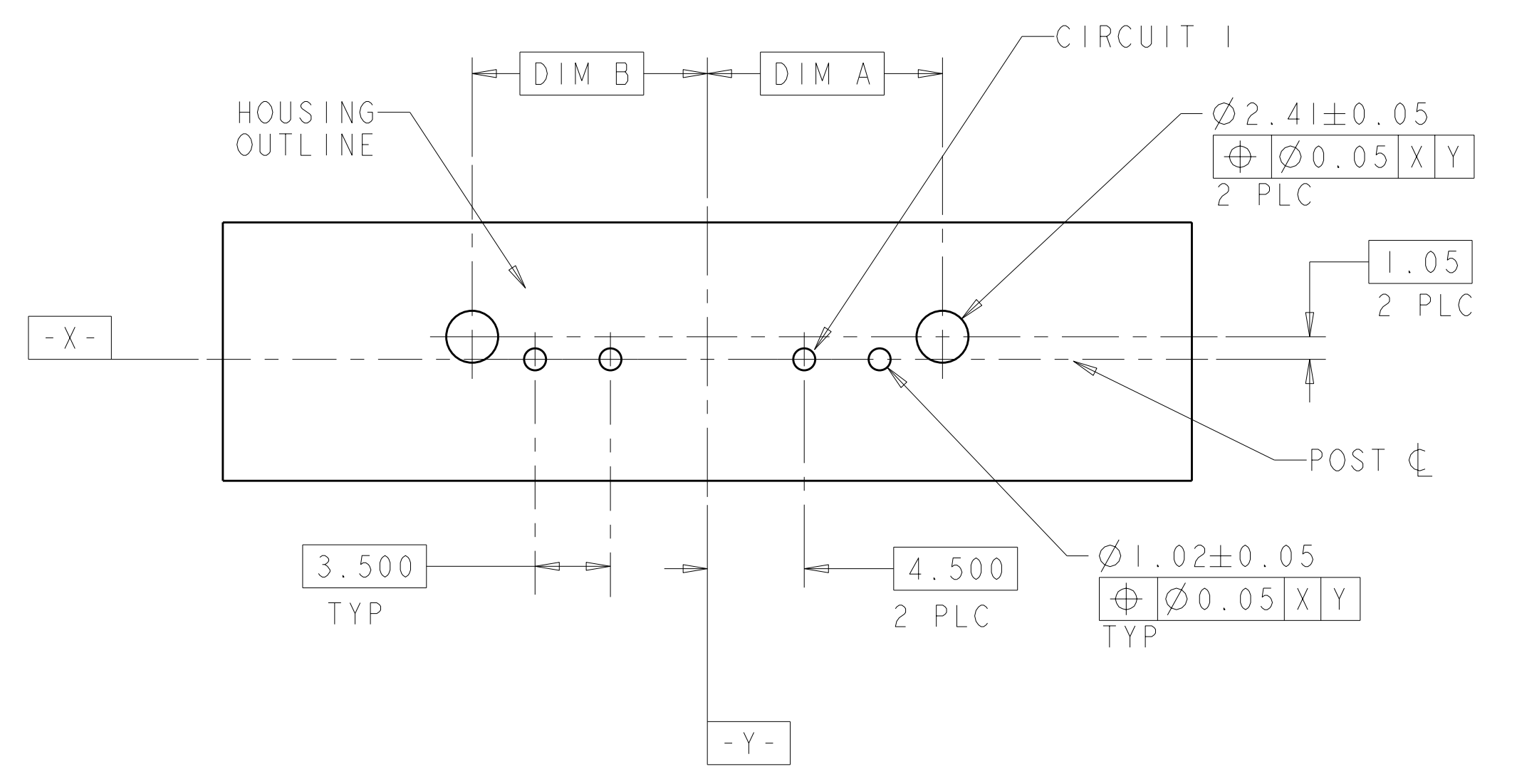
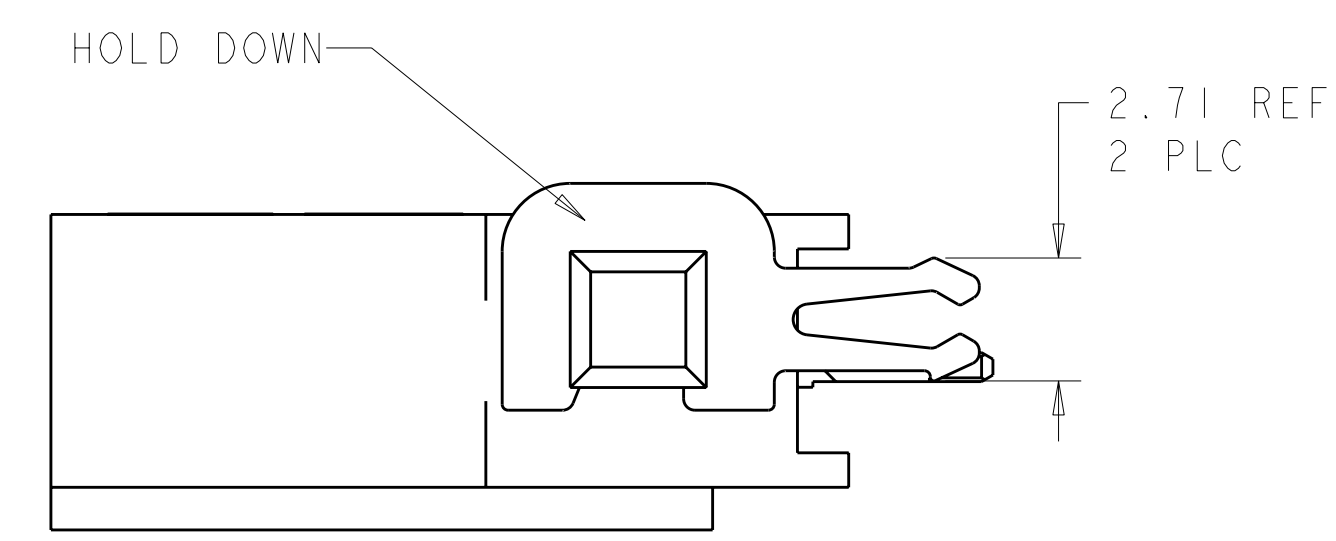
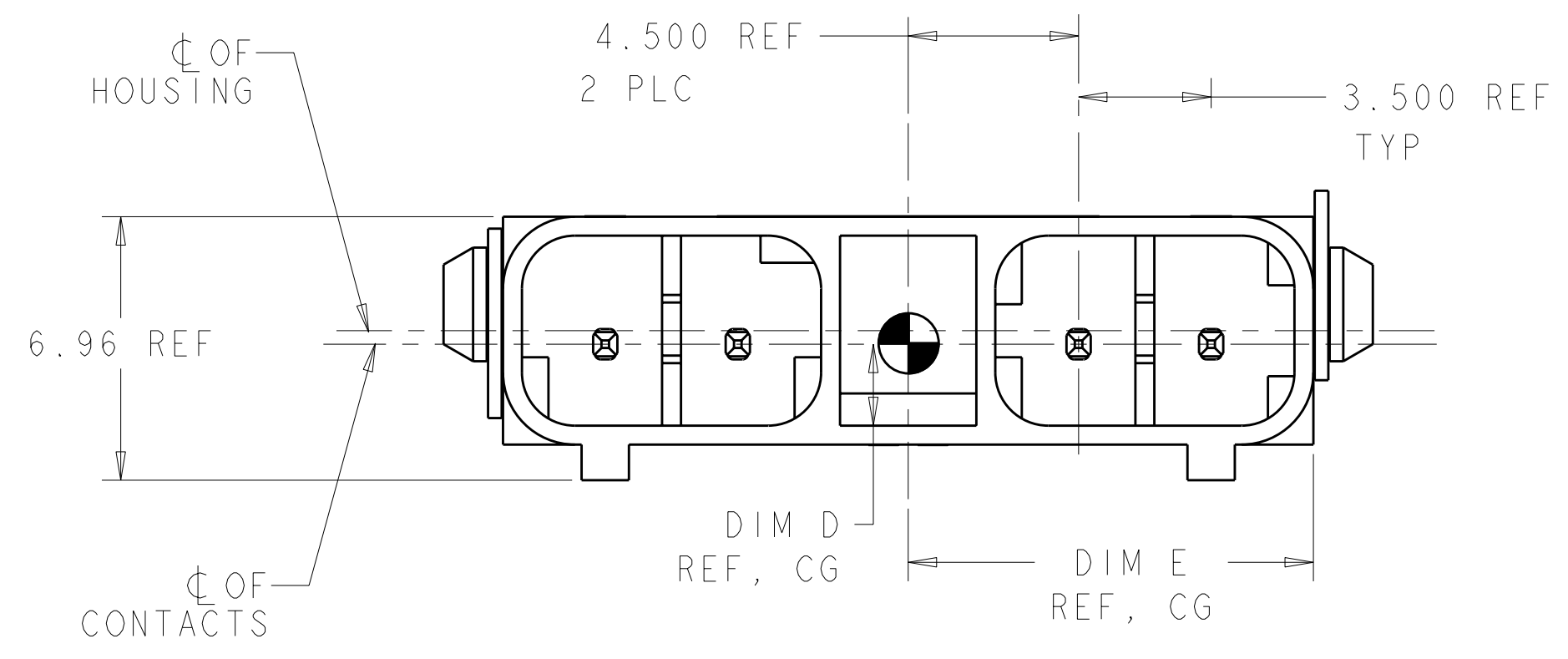
Address: A1208, Overseas Decoration Building, #122 Zhenhua RD., Futian, Shenzhen, China



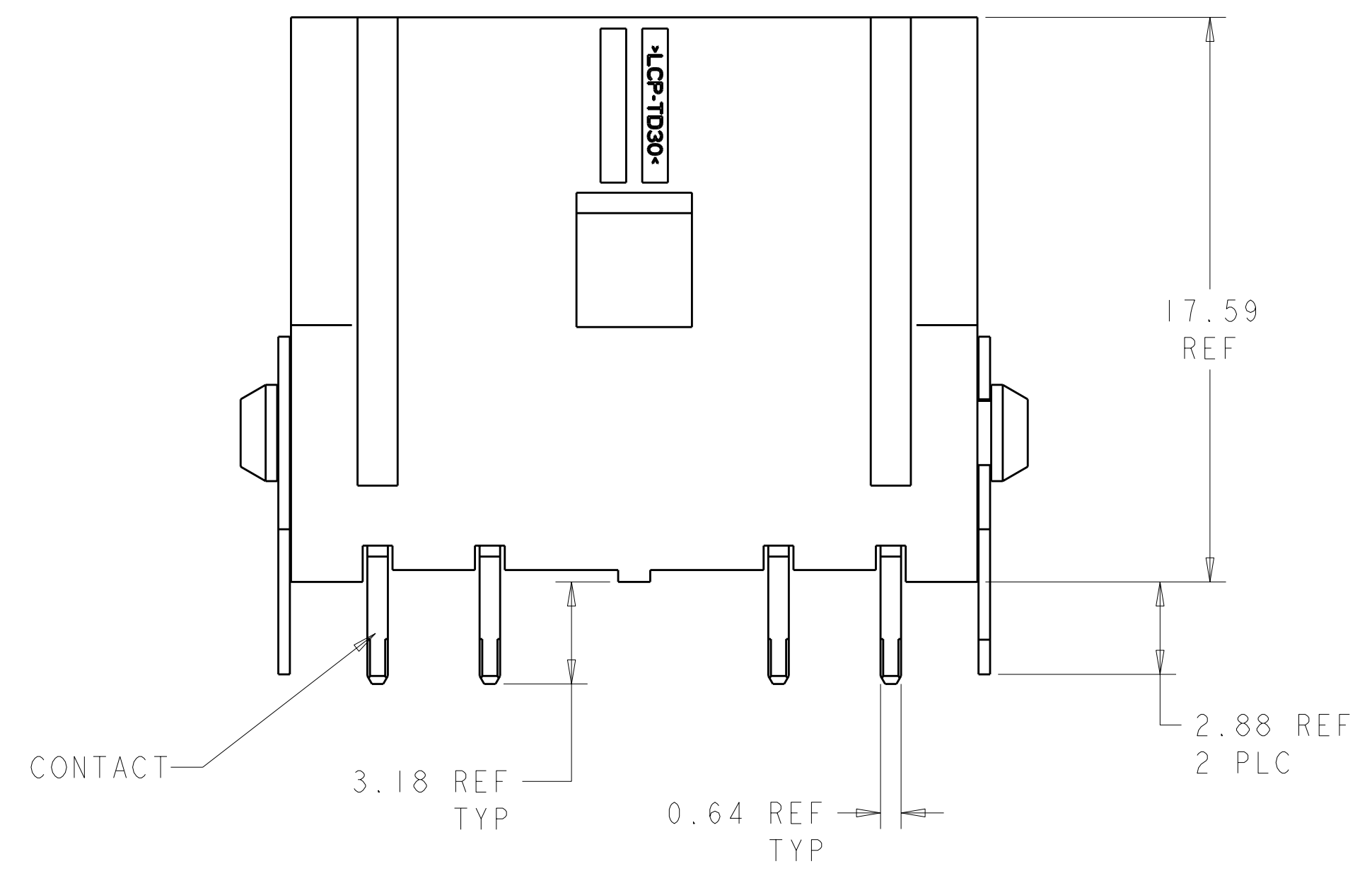
LOC	DIST	REV	DATE	DWN	APVD
CM	00	A	07JUL2010	HMR	DD
		REVISIONS			
		DESCRIPTION	DATE	DWN	APVD
		REVISED PER ECR-10-013359	07JUL2010	HMR	DD



- △ MATERIAL: HOUSING: LCP, COLOR: BLACK.
- △ CONTACTS: BRASS.  
FINISH: 2.54µm MIN MATTE TIN OVER NICKEL (ENTIRE POST).
- △ HOLDDOWN: COPPER ALLOY.  
FINISH: 2.54µm MIN MATTE TIN OVER NICKEL.
- 4. THIS PRODUCT HAS NOT COMPLETED VALIDATION TESTING.
- △ RECOMMENDED PC BOARD THICKNESS OF 1.57.
- 6. PACKAGED IN TUBES.
- 7. MUST COMPLY WITH DIRECTIVE 2002/95/EC (ROHS).



RECOMMENDED PC BOARD HOLE LAYOUT, COMPONENT SIDE  
 DIMENSIONS APPLY TO ALL POSITIONS, UNLESS OTHERWISE NOTED



10.69	2.94	24.54	10.92	10.92	4	2106112-6
8.95	2.94	21.04	7.42	10.92	3	2106112-4
7.19	2.94	17.54	7.42	7.42	2	2106112-2
DIM E	DIM D	DIM C	DIM B	DIM A	POSN	PART NUMBER

DIMENSIONS: mm TOLERANCES UNLESS OTHERWISE SPECIFIED: 9 PLC ±0.5 2 PLC ±0.13 5 PLC ±0.013 4 PLC ±0.0001 ANGLES ±2°		DWN: MM VAN SCOOC 19FEB2009 CHK: A. BUCHER 19FEB2009 APVD: A. BUCHER 19FEB2009		Tyco Electronics Harrisburg, PA 17105-3608	
MATERIAL: △ FINISH: △△△		PRODUCT SPEC: 108-2391 APPLICATION SPEC: 114-13261 WEIGHT: -		NAME: ASSEMBLY, VERTICAL THRU HOLE HEADER, SLIMSEAL SSL CONNECTOR SIZE: CAGE CODE DRAWING NO: A100779C-2106112 RESTRICTED TO: -	
CUSTOMER DRAWING		SCALE: 4:1		SHEET 1 OF 1 REV A	