



Chipsmall Limited consists of a professional team with an average of over 10 year of expertise in the distribution of electronic components. Based in Hongkong, we have already established firm and mutual-benefit business relationships with customers from,Europe,America and south Asia,supplying obsolete and hard-to-find components to meet their specific needs.

With the principle of “Quality Parts,Customers Priority,Honest Operation,and Considerate Service”,our business mainly focus on the distribution of electronic components. Line cards we deal with include Microchip,ALPS,ROHM,Xilinx,Pulse,ON,Everlight and Freescale. Main products comprise IC,Modules,Potentiometer,IC Socket,Relay,Connector.Our parts cover such applications as commercial,industrial, and automotives areas.

We are looking forward to setting up business relationship with you and hope to provide you with the best service and solution. Let us make a better world for our industry!



Contact us

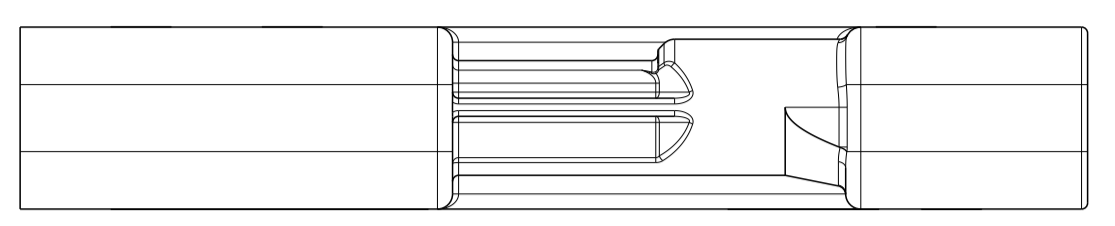
Tel: +86-755-8981 8866 Fax: +86-755-8427 6832

Email & Skype: info@chipsmall.com Web: www.chipsmall.com

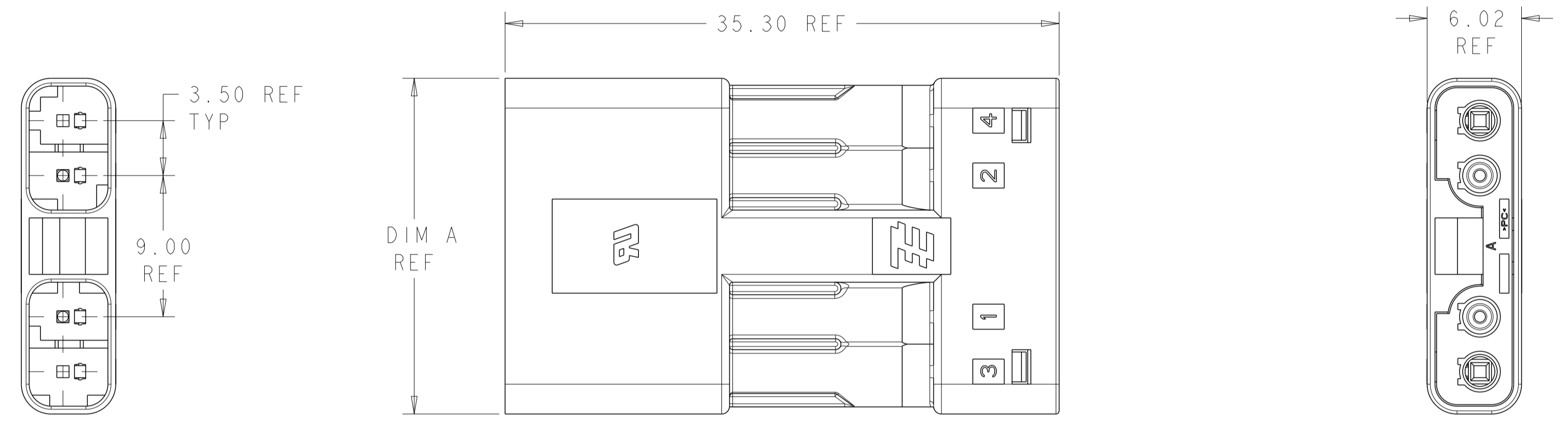
Address: A1208, Overseas Decoration Building, #122 Zhenhua RD., Futian, Shenzhen, China



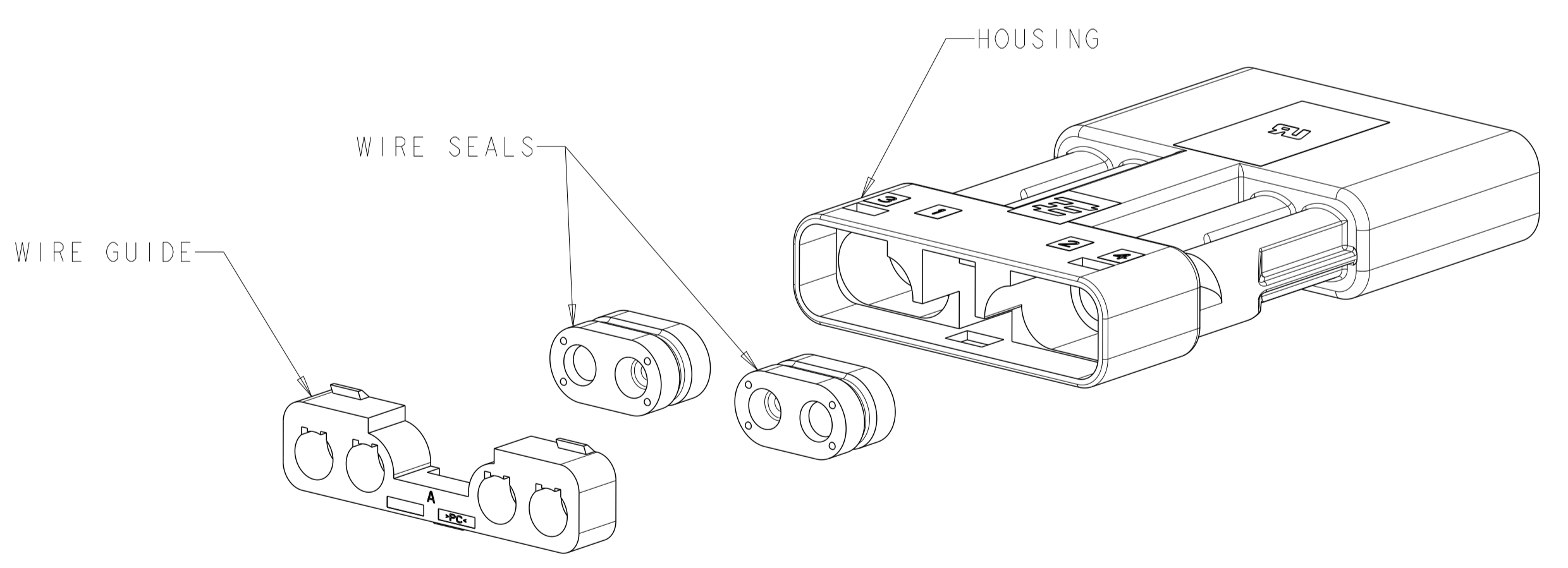
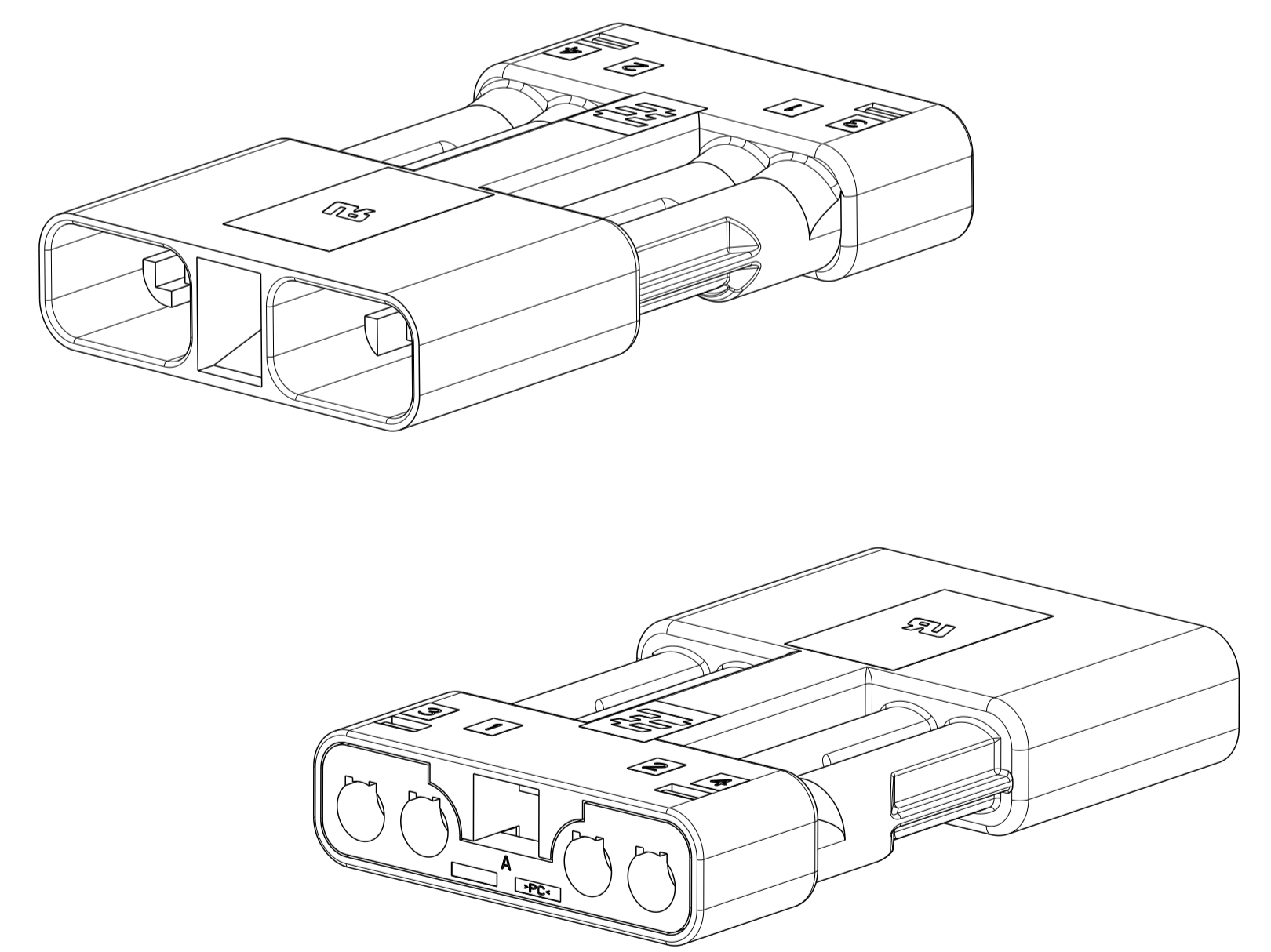
LOC		DIST		REVISIONS			
P	LTN	DESCRIPTION	DATE	DMN	APVD		
A1		REVISED PER ECO-11-004820	11MAR2011	RK	HMR		
A2		REVISED PER ECR-12-017779	19OCT2012	RS	DD		



- ⚠ MATERIALS:
 HOUSING: POLYCARBONATE, FI PER UL 746C,
 COLOR: BLACK
 WIRE GUIDE: POLYCARBONATE, FI PER UL 746C,
 COLOR: BLACK
 WIRE SEALS: SILICONE RUBBER, COLOR: BLUE
 2. THIS PART HAS NOT COMPLETED VALIDATION TESTING.
 3. MUST COMPLY WITH DIRECTIVE 2002/95/EC (ROHS).



2106136-4 SHOWN



21.40	4	2106136-4
17.90	3	2106136-3
14.40	2	2106136-2
DIM A	NO OF POSN	PART NUMBER

THIS DRAWING IS A CONTROLLED DOCUMENT. DMN R BROWN 16FEB2009
 CHK A BUCHER 16FEB2009

STE TE Connectivity

NAME ASSEMBLY, RECEPTACLE, FREE HANGING, SLIMSEAL SSL CONNECTOR

PRODUCT SPEC 108-2391
 APPLICATION SPEC 114-13261

SIZE CAGE CODE DRAWING NO RESTRICTED TO
 A100779C=2106136

MATERIAL FINISH WEIGHT CUSTOMER DRAWING SCALE 4:1 SHEET 1 OF 1 REV A2