



Chipsmall Limited consists of a professional team with an average of over 10 year of expertise in the distribution of electronic components. Based in Hongkong, we have already established firm and mutual-benefit business relationships with customers from,Europe,America and south Asia,supplying obsolete and hard-to-find components to meet their specific needs.

With the principle of “Quality Parts,Customers Priority,Honest Operation,and Considerate Service”,our business mainly focus on the distribution of electronic components. Line cards we deal with include Microchip,ALPS,ROHM,Xilinx,Pulse,ON,Everlight and Freescale. Main products comprise IC,Modules,Potentiometer,IC Socket,Relay,Connector.Our parts cover such applications as commercial,industrial, and automotives areas.

We are looking forward to setting up business relationship with you and hope to provide you with the best service and solution. Let us make a better world for our industry!



Contact us

Tel: +86-755-8981 8866 Fax: +86-755-8427 6832

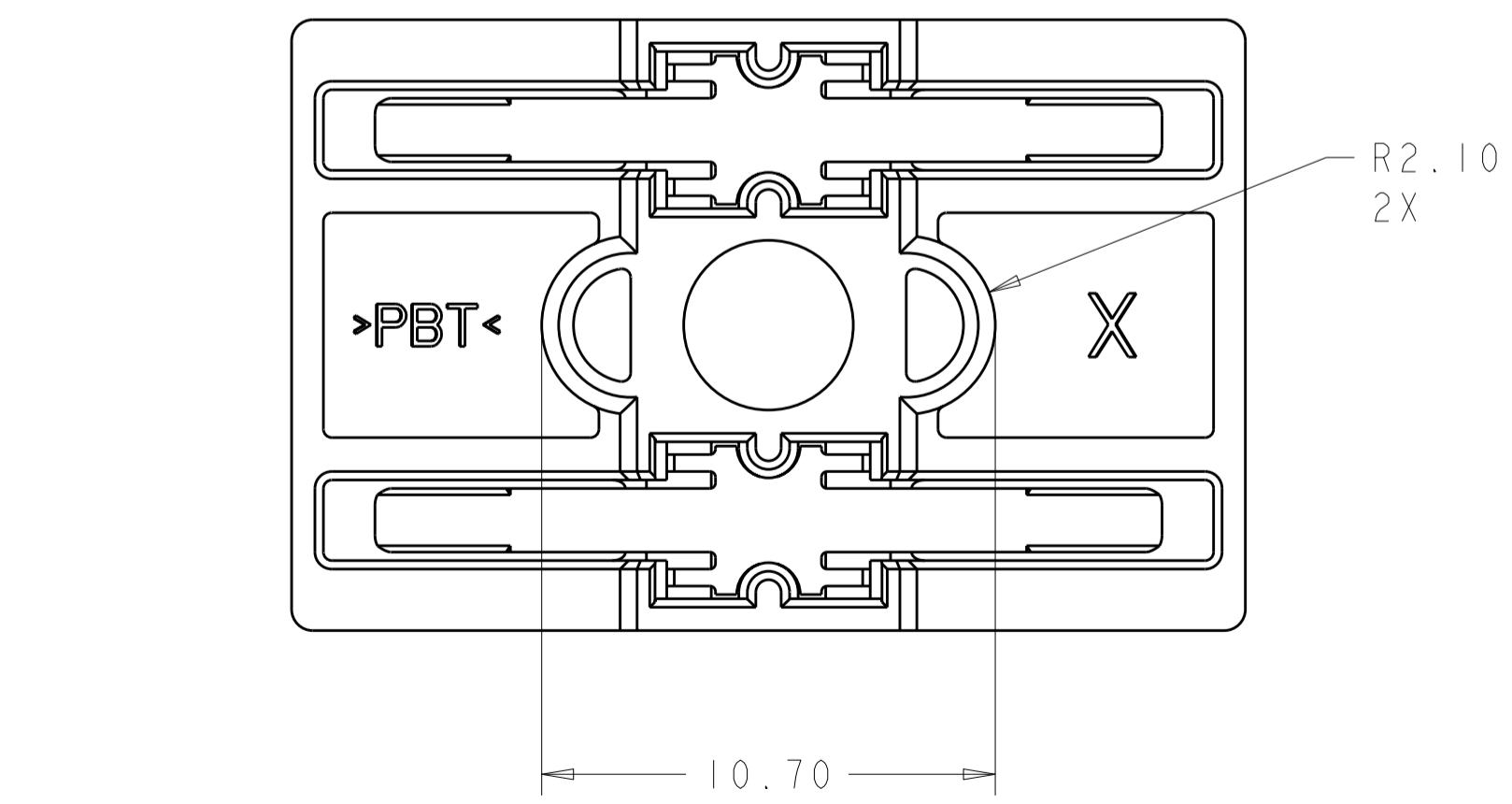
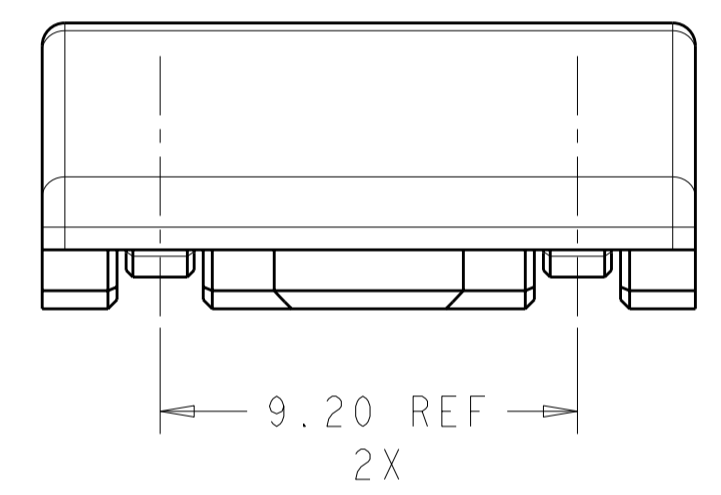
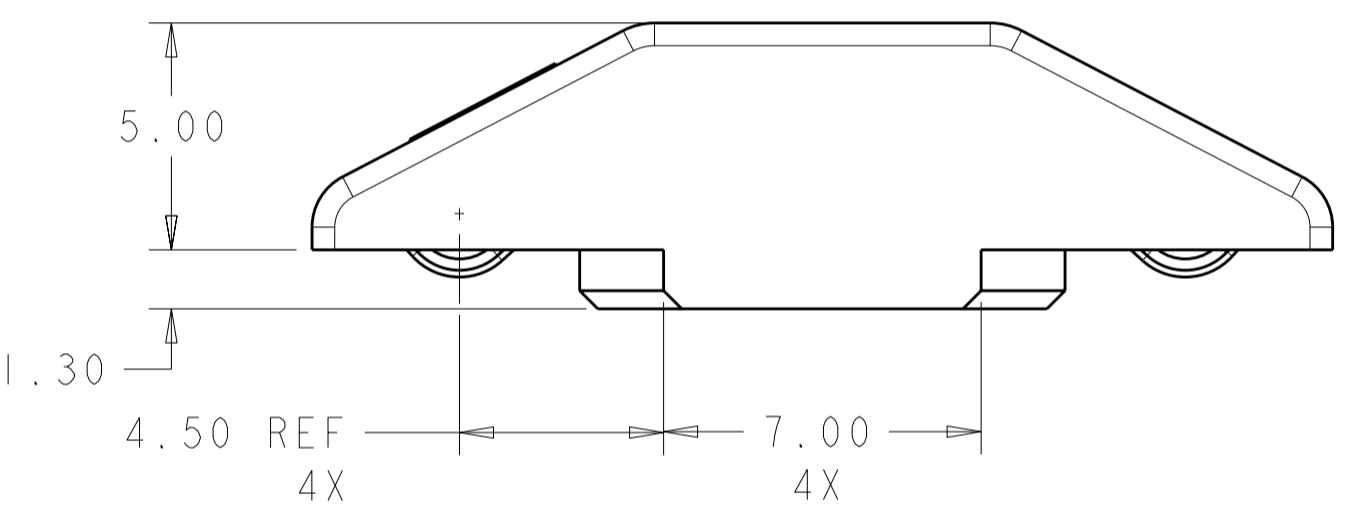
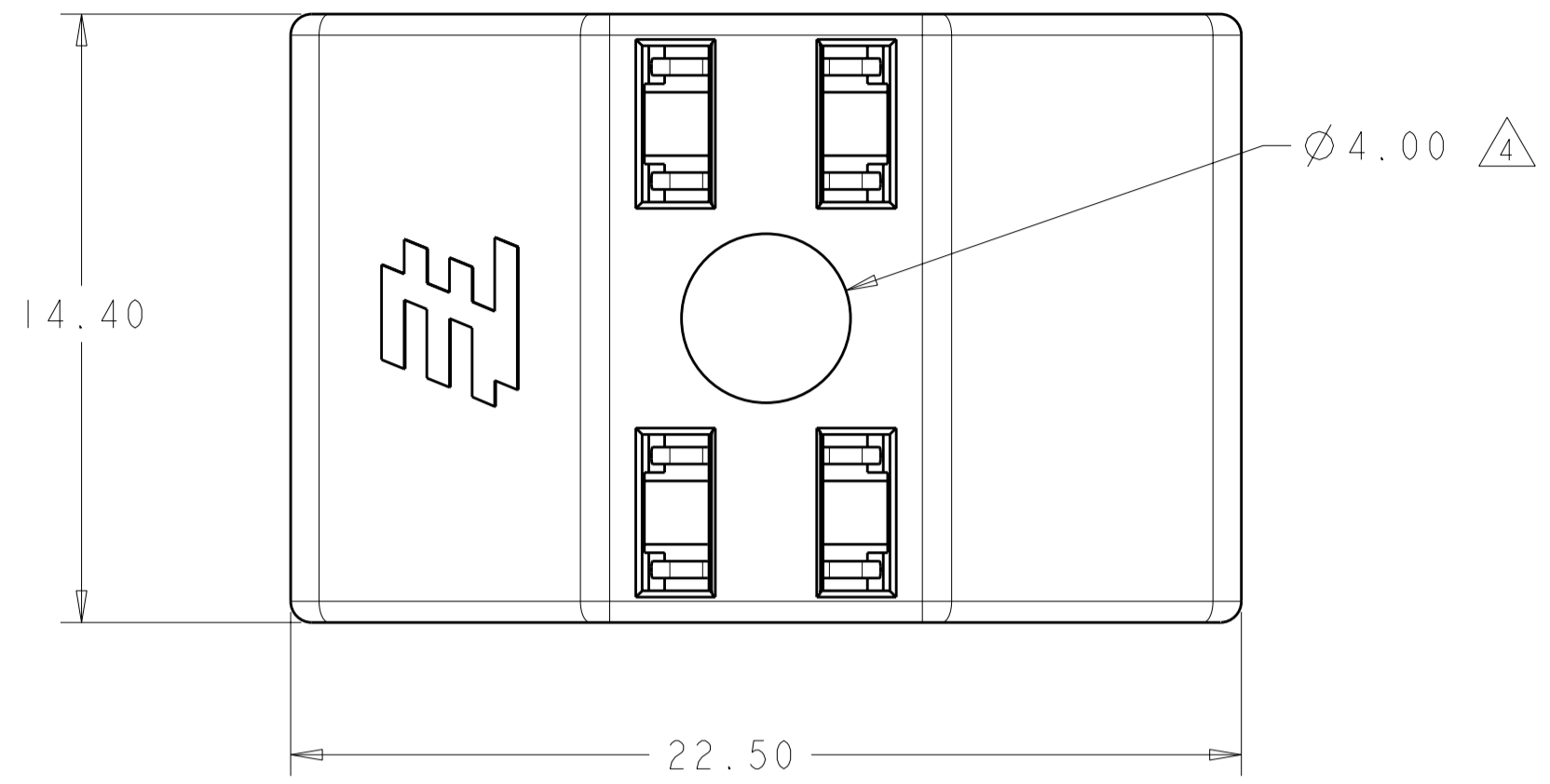
Email & Skype: info@chipsmall.com Web: www.chipsmall.com

Address: A1208, Overseas Decoration Building, #122 Zhenhua RD., Futian, Shenzhen, China



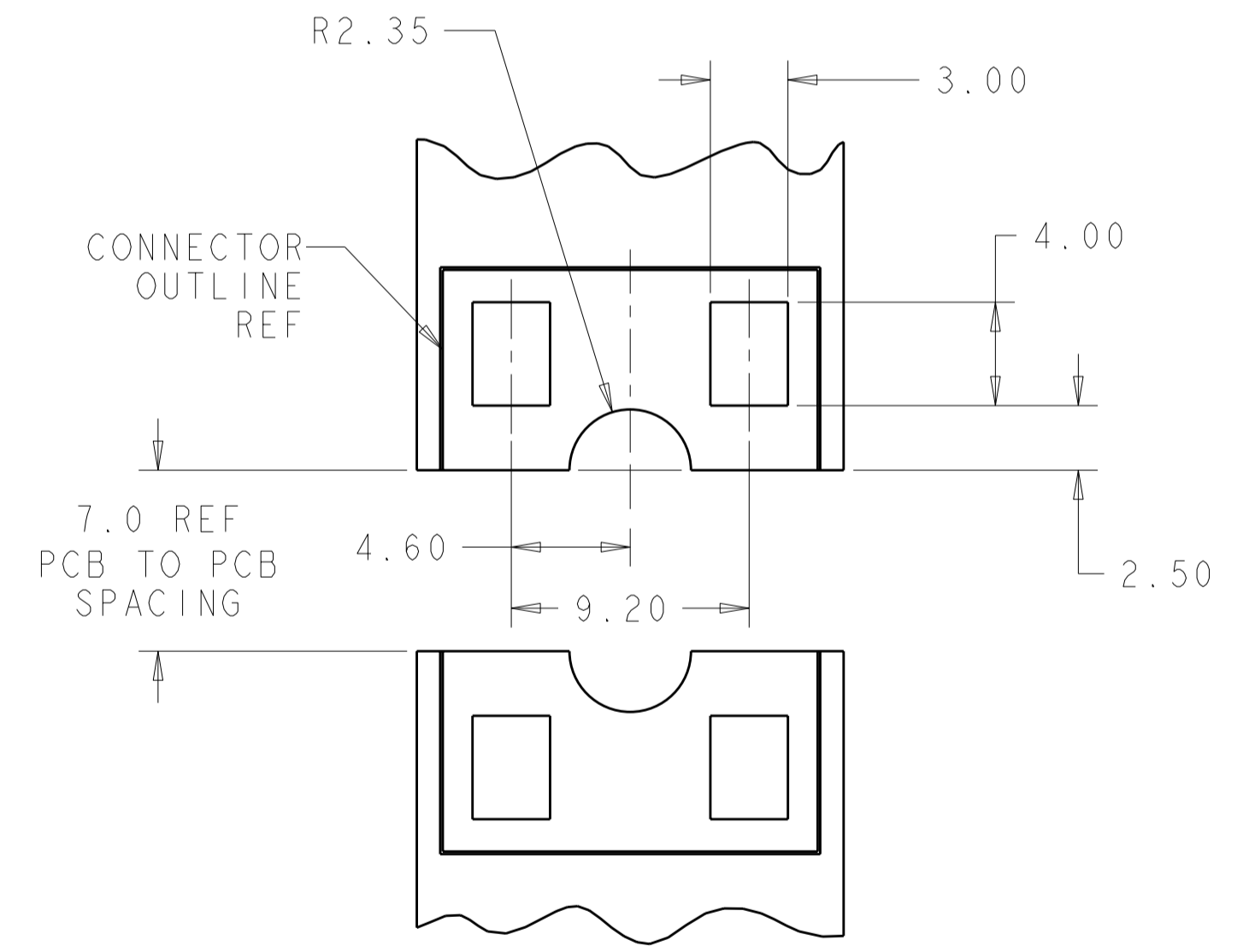
THIS DRAWING IS UNPUBLISHED. RELEASED FOR PUBLICATION 20
 © COPYRIGHT 20 BY - ALL RIGHTS RESERVED.

REVISIONS							
LOC	DIST	P	LTR	DESCRIPTION	DATE	DWN	APVD
-	-	A2		REVISED PER ECO-11-004820	11MAR2011	RK	HMR



NOTES:

- 1. MATERIALS AND FINISH:
 -HOUSING: PBT, COLOR: NATURAL
 -CONTACTS: COPPER ALLOY, FINISH: PRE-TIN
- 2. MUST COMPLY WITH DIRECTIVE 2002/95/EC (ROHS)
- 3. THIS PRODUCT HAS NOT COMPLETED VALIDATION TESTING
- 4. RECOMMENDED SCREW SIZE: #6
 SCREW DOWN TORQUE: 0.11-.22 N-M [1.0-2.0 LBF-IN]
- 5. SCREWS FROM FERROUS METALS (OTHER THAN STAINLESS STEEL) SHOULD BE ZINC PLATED OR HAVE AN EQUIVALENT PROTECTIVE COATING
- 6. PACKAGING: TUBE PACKAGING



RECOMMENDED PCB LAYOUT
 SCALE 4:1

2106154-1
 PART NO.

THIS DRAWING IS A CONTROLLED DOCUMENT.		DWN C. DAILY 04FEB2009	TE Connectivity	
		CHK R. NARANG 04FEB2009		
DIMENSIONS: mm		APVD -	NAME JUMPER, BOARD TO BOARD, SCREW DOWN	
TOLERANCES UNLESS OTHERWISE SPECIFIED:		PRODUCT SPEC 108-2392	SIZE A2	
0 PLC ± 1 PLC ±0.2 2 PLC ±0.13 3 PLC ± 4 PLC ±		APPLICATION SPEC 114-13260	CAGE CODE A200779	DRAWING NO 2106154
MATERIAL		WEIGHT -	RESTRICTED TO -	
-		CUSTOMER DRAWING		SCALE 6:1 SHEET 1 OF 1 REV A2