



Chipsmall Limited consists of a professional team with an average of over 10 year of expertise in the distribution of electronic components. Based in Hongkong, we have already established firm and mutual-benefit business relationships with customers from,Europe,America and south Asia,supplying obsolete and hard-to-find components to meet their specific needs.

With the principle of "Quality Parts,Customers Priority,Honest Operation,and Considerate Service",our business mainly focus on the distribution of electronic components. Line cards we deal with include Microchip,ALPS,ROHM,Xilinx,Pulse,ON,Everlight and Freescale. Main products comprise IC,Modules,Potentiometer,IC Socket,Relay,Connector.Our parts cover such applications as commercial,industrial, and automotives areas.

We are looking forward to setting up business relationship with you and hope to provide you with the best service and solution. Let us make a better world for our industry!



## Contact us

Tel: +86-755-8981 8866 Fax: +86-755-8427 6832

Email & Skype: info@chipsmall.com Web: www.chipsmall.com

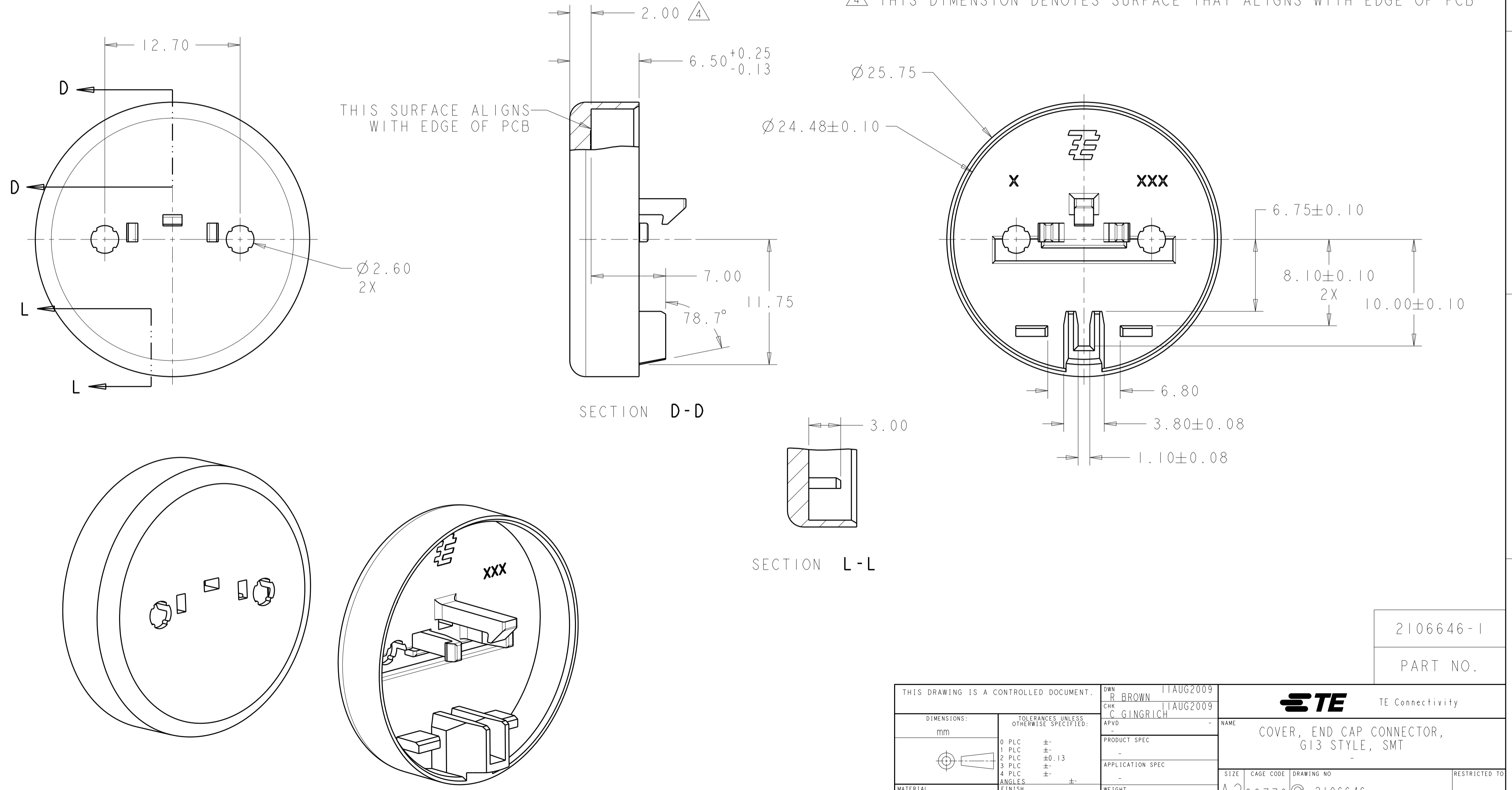
Address: A1208, Overseas Decoration Building, #122 Zhenhua RD., Futian, Shenzhen, China



THIS DRAWING IS UNPUBLISHED. RELEASED FOR PUBLICATION 20  
 © COPYRIGHT 20 BY - ALL RIGHTS RESERVED.

REVISIONS					
P	LTR	DESCRIPTION	DATE	DWN	APVD
	AI	REVISED PER ECO-11-004820	11MAR2011	RK	HMR

- ⚠ MATERIAL: PBT. COLOR: NATURAL
- 2. THIS PRODUCT HAS NOT COMPLETED VALIDATION TESTING
- 3. MUST COMPLY WITH DIRECTIVE 2002/95/EC (ROHS)
- ⚠ THIS DIMENSION DENOTES SURFACE THAT ALIGNS WITH EDGE OF PCB



2106646-1  
 PART NO.

THIS DRAWING IS A CONTROLLED DOCUMENT.		DWN R. BROWN 11AUG2009	TE Connectivity	
		CHK C. GINGRICH 11AUG2009		
DIMENSIONS: mm		APVD -		NAME COVER, END CAP CONNECTOR, G13 STYLE, SMT
TOLERANCES UNLESS OTHERWISE SPECIFIED: 0 PLC ±- 1 PLC ±- 2 PLC ±0.13 3 PLC ±- 4 PLC ±- ANGLES ±- FINISH		PRODUCT SPEC -		SIZE A200779
MATERIAL ⚠ -		APPLICATION SPEC -		CAGE CODE C-2106646
		WEIGHT -		DRAWING NO. 2106646
		CUSTOMER DRAWING		RESTRICTED TO -
		SCALE 4:1		SHEET 1
				REV AI