



Chipsmall Limited consists of a professional team with an average of over 10 year of expertise in the distribution of electronic components. Based in Hongkong, we have already established firm and mutual-benefit business relationships with customers from,Europe,America and south Asia,supplying obsolete and hard-to-find components to meet their specific needs.

With the principle of “Quality Parts,Customers Priority,Honest Operation,and Considerate Service”,our business mainly focus on the distribution of electronic components. Line cards we deal with include Microchip,ALPS,ROHM,Xilinx,Pulse,ON,Everlight and Freescale. Main products comprise IC,Modules,Potentiometer,IC Socket,Relay,Connector.Our parts cover such applications as commercial,industrial, and automotives areas.

We are looking forward to setting up business relationship with you and hope to provide you with the best service and solution. Let us make a better world for our industry!



Contact us

Tel: +86-755-8981 8866 Fax: +86-755-8427 6832

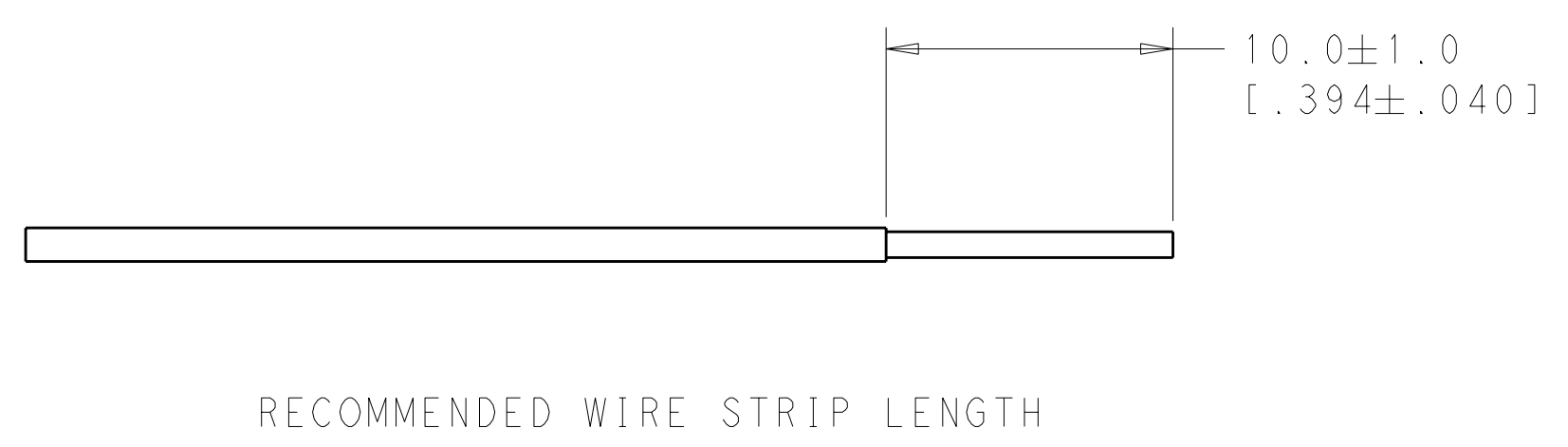
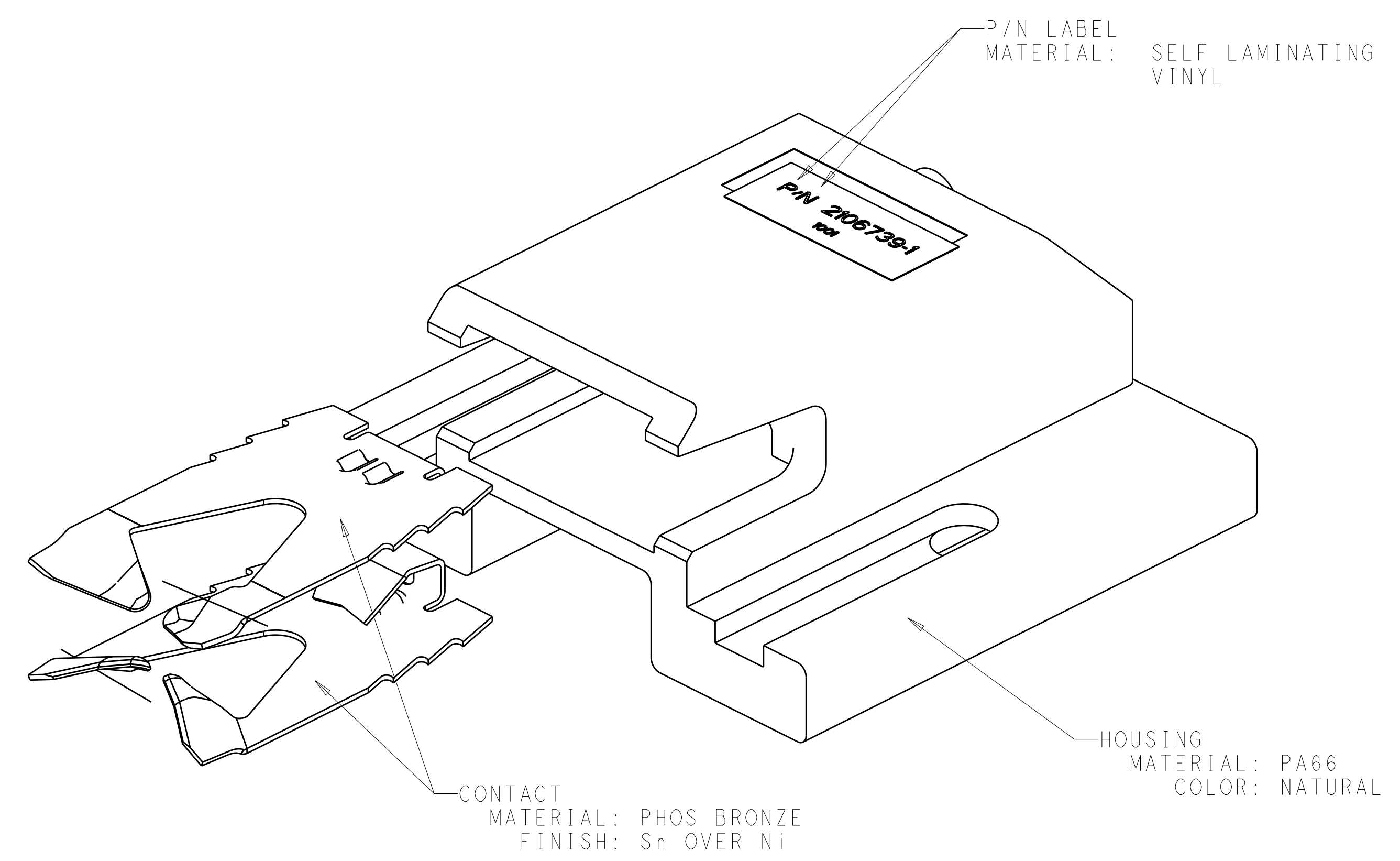
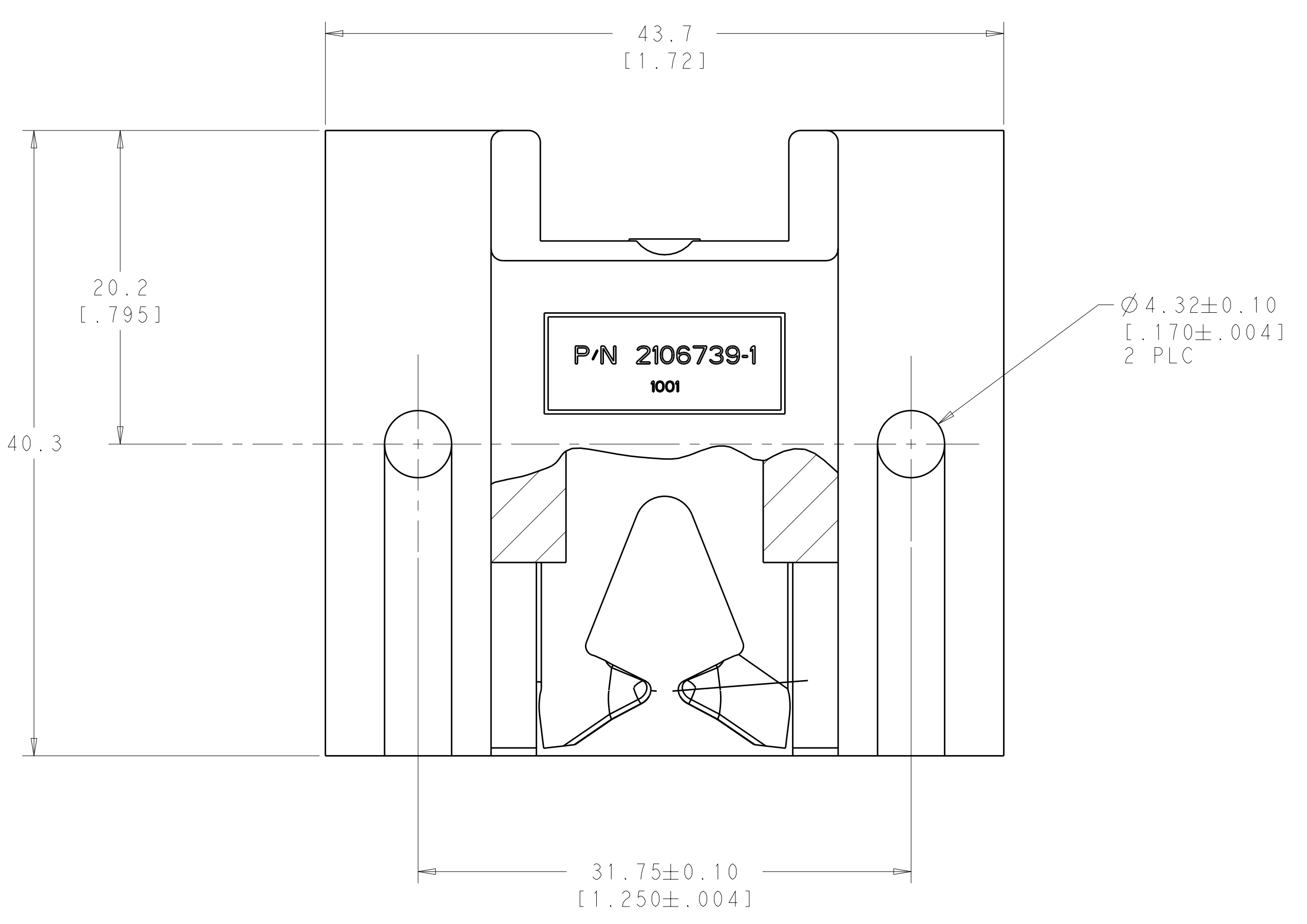
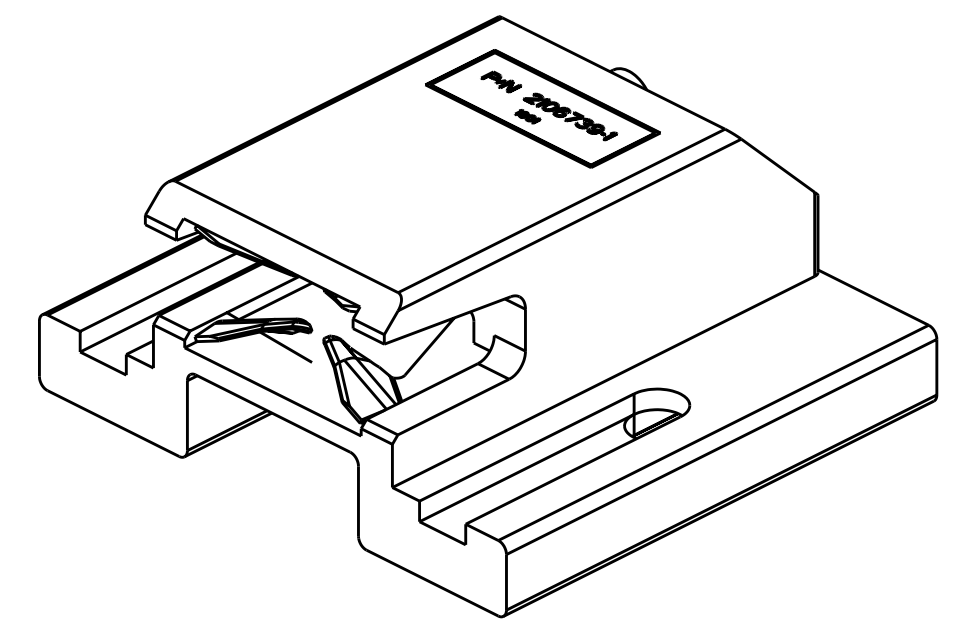
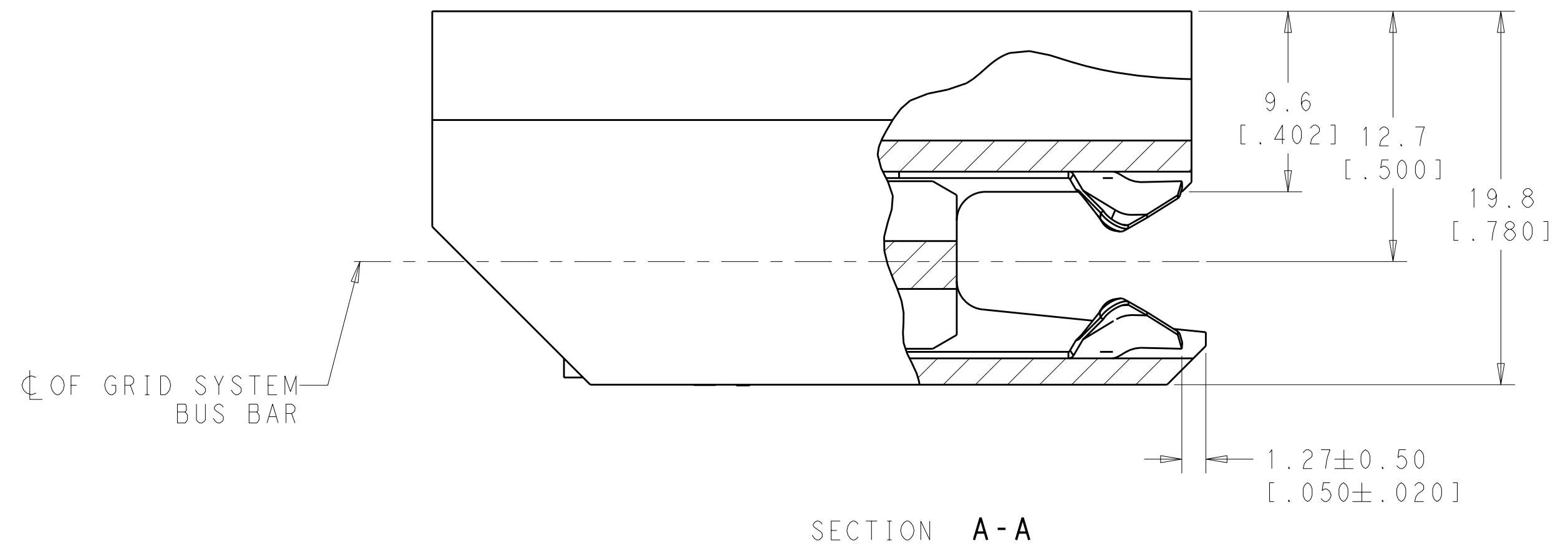
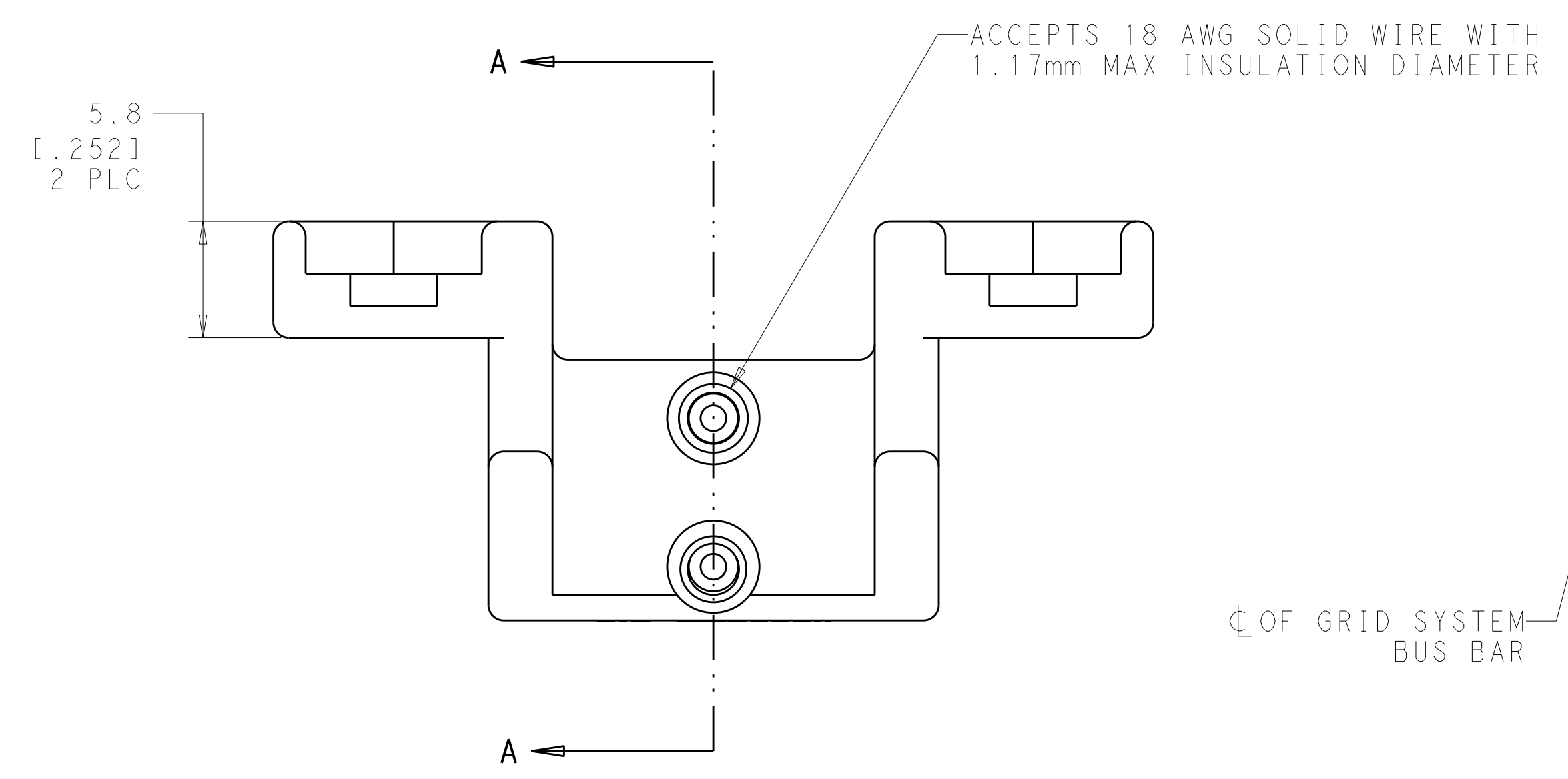
Email & Skype: info@chipsmall.com Web: www.chipsmall.com

Address: A1208, Overseas Decoration Building, #122 Zhenhua RD., Futian, Shenzhen, China



LOC	DIST	REVISIONS					
CM	00	P	LTR	DESCRIPTION	DATE	DWN	APVD
		A		SEE ECO-11-019559	27SEP2011	GIP	MTL
		B		SEE ECO-11-025607	27DEC2011	GIP	MTL

1. DIRECTIVE 2002/95/EC (ROHS) COMPLIANT.



2106739-1
PART NUMBER

THIS DRAWING IS A CONTROLLED DOCUMENT.		DWN: 09SEP12009	SOMASHEKHAR S. P.		TE Connectivity	
DIMENSIONS: mm		CHK: S. HEADER	12OCT2009		APVD: M. LUKSIC	
TOLERANCES UNLESS OTHERWISE SPECIFIED:		APVD: 27SEP2011	NAME		ASSEMBLY, DC FIXTURE	
0 PLC	±	PRODUCT SPEC	108-2414		SIZE: CAGE CODE: DRAWING NO: RESTRICTED TO	
1 PLC	±0.2	APPLICATION SPEC	114-13275		A100779C=2106739	
2 PLC	±	WEIGHT	-		SCALE: 2:1 SHEET 1 OF 1 REV B	
3 PLC	±	CUSTOMER DRAWING	-			
4 PLC	±					
ANGLES	±0°					
MATERIAL						
FINISH						