



Chipsmall Limited consists of a professional team with an average of over 10 year of expertise in the distribution of electronic components. Based in Hongkong, we have already established firm and mutual-benefit business relationships with customers from,Europe,America and south Asia,supplying obsolete and hard-to-find components to meet their specific needs.

With the principle of "Quality Parts,Customers Priority,Honest Operation,and Considerate Service",our business mainly focus on the distribution of electronic components. Line cards we deal with include Microchip,ALPS,ROHM,Xilinx,Pulse,ON,Everlight and Freescale. Main products comprise IC,Modules,Potentiometer,IC Socket,Relay,Connector.Our parts cover such applications as commercial,industrial, and automotives areas.

We are looking forward to setting up business relationship with you and hope to provide you with the best service and solution. Let us make a better world for our industry!



## Contact us

Tel: +86-755-8981 8866 Fax: +86-755-8427 6832

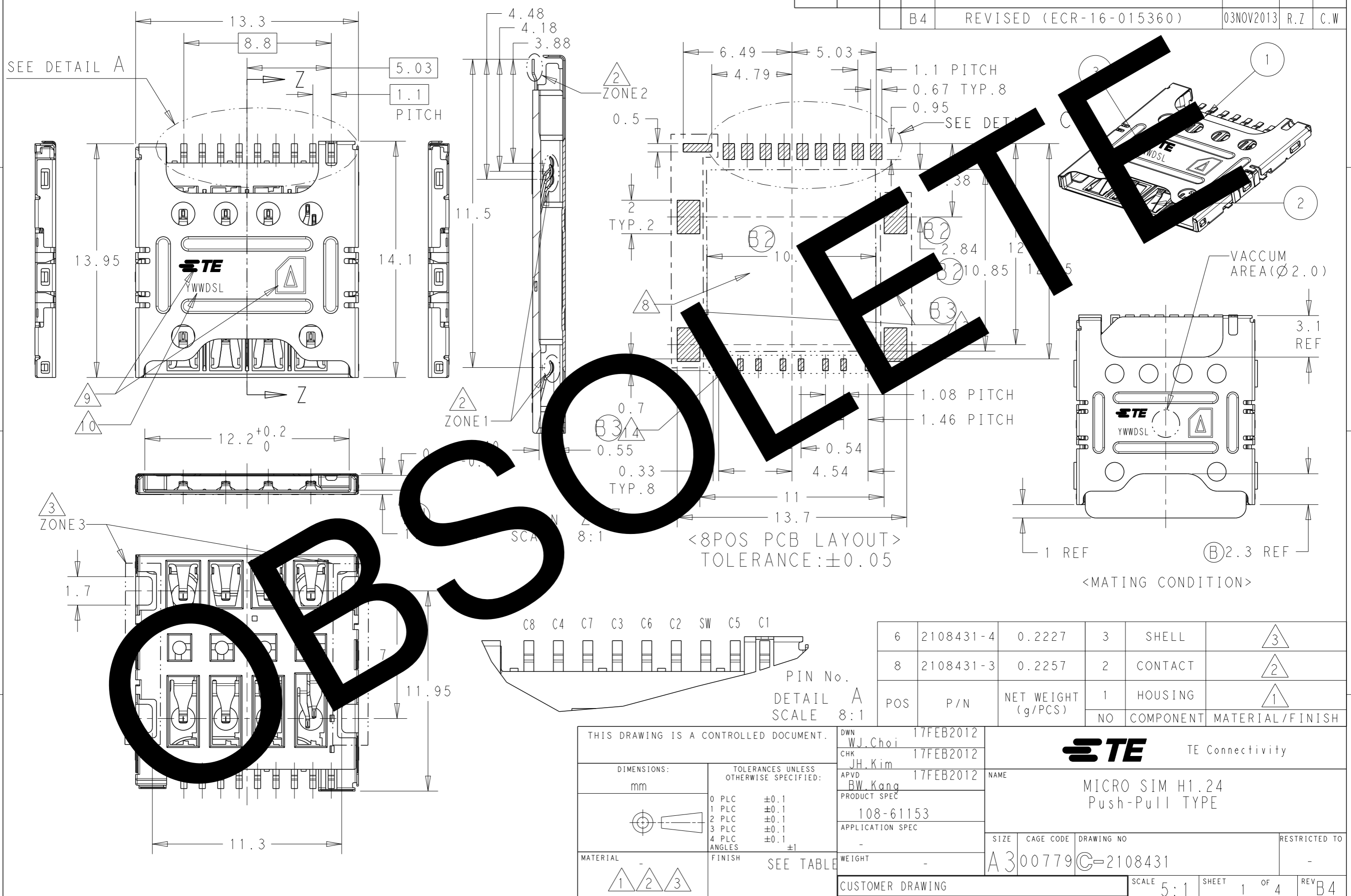
Email & Skype: info@chipsmall.com Web: www.chipsmall.com

Address: A1208, Overseas Decoration Building, #122 Zhenhua RD., Futian, Shenzhen, China



THIS DRAWING IS UNPUBLISHED. RELEASED FOR PUBLICATION 20  
 © COPYRIGHT 20 BY - ALL RIGHTS RESERVED.

LOC	DIST	REVISIONS			
P	LTR	DESCRIPTION	DATE	DWN	APVD
-	-	B4	REVISED (ECR-16-015360)	03NOV2013	R.Z C.W



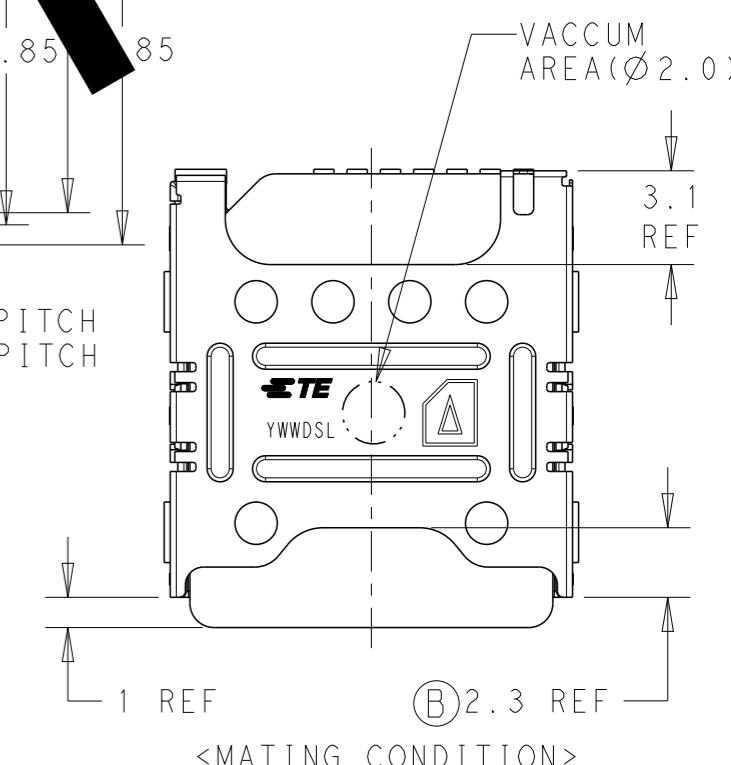
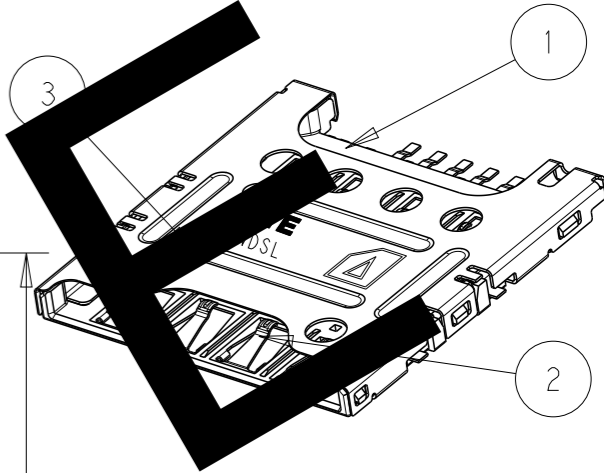
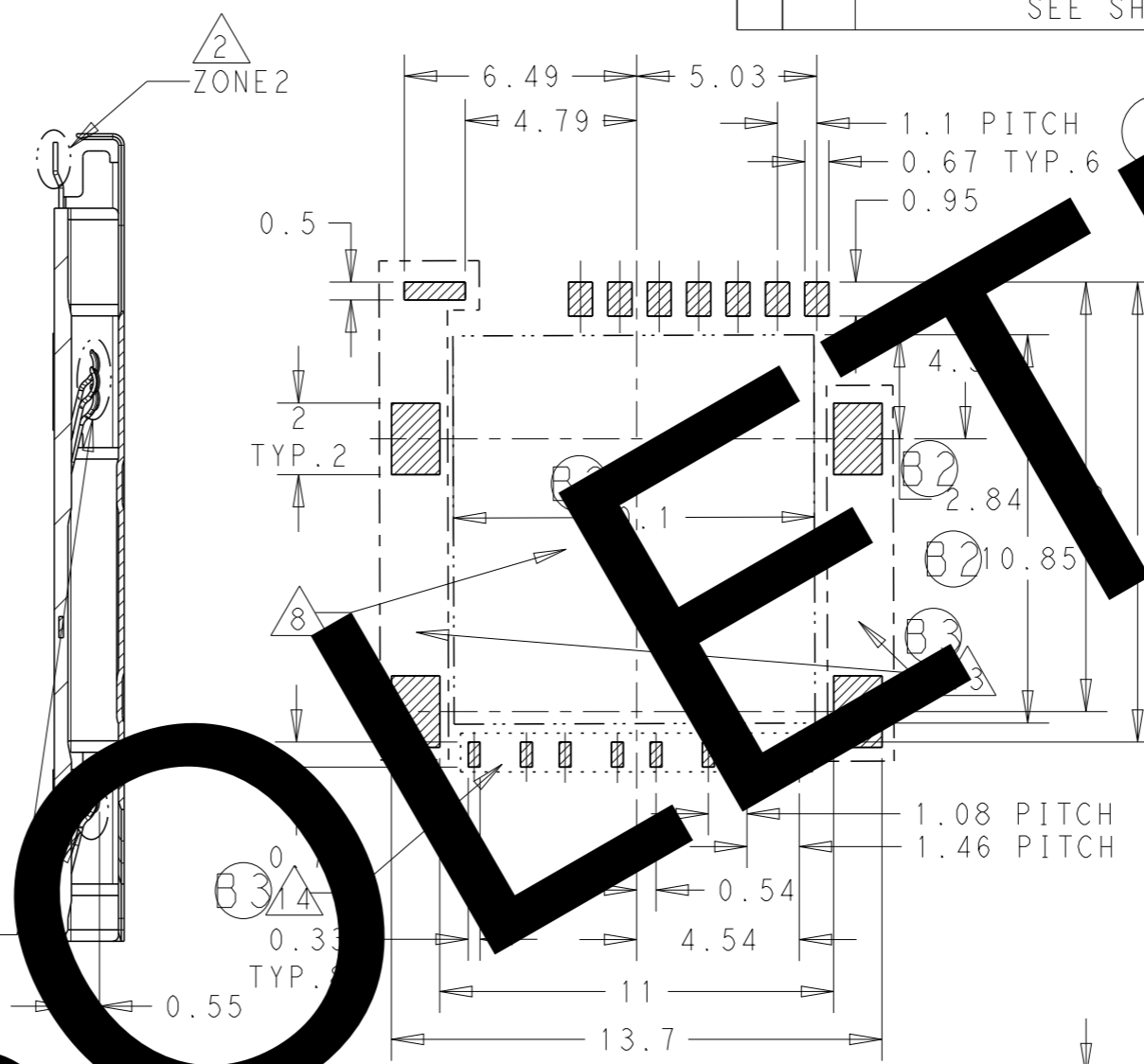
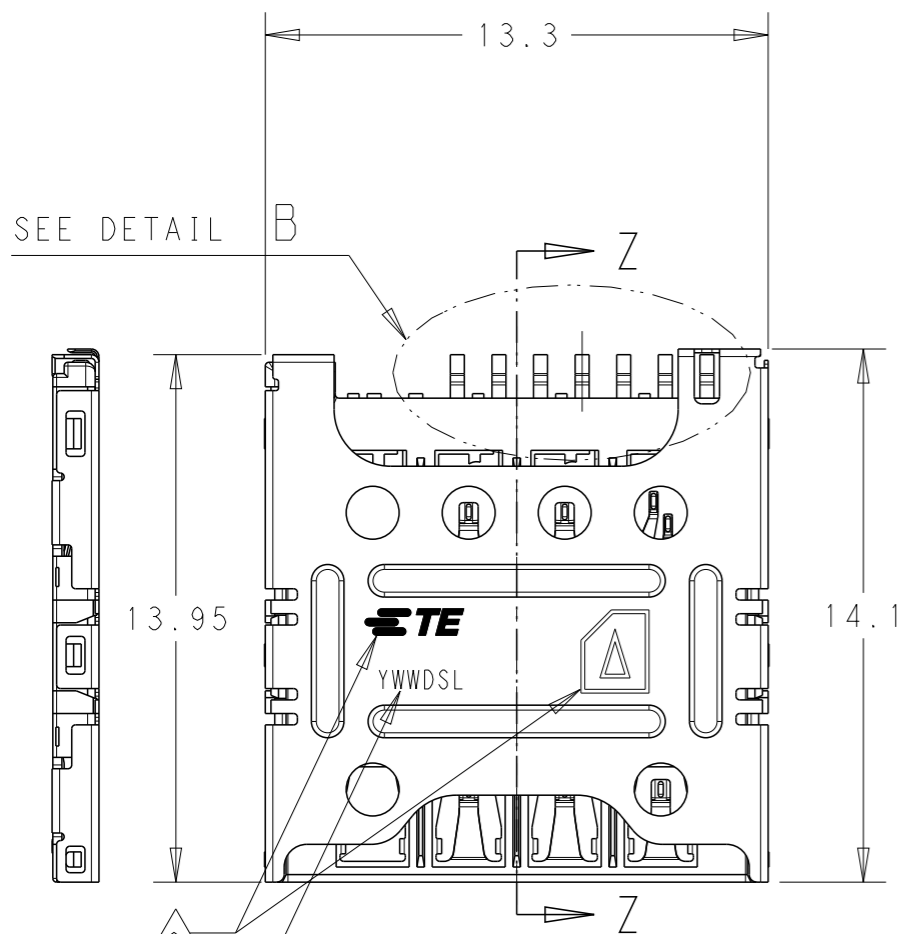
THIS DRAWING IS A CONTROLLED DOCUMENT.

DIMENSIONS:	TOLERANCES UNLESS OTHERWISE SPECIFIED:
mm	0 PLC ±0.1
	1 PLC ±0.1
	2 PLC ±0.1
	3 PLC ±0.1
	4 PLC ±0.1
	ANGLES ±1
MATERIAL	FINISH
1 2 3	SEE TABLE

DWN	17FEB2012
WJ.Choi	
CHK	17FEB2012
JH.Kim	
APVD	17FEB2012
BW.Kang	
PRODUCT SPEC	108-61153
APPLICATION SPEC	-
WEIGHT	-
CUSTOMER DRAWING	

		TE Connectivity	
NAME			
MICRO SIM H1.24 Push-Pull TYPE			
SIZE	CAGE CODE	DRAWING NO	RESTRICTED TO
A3	00779	C-2108431	-
SCALE		SHEET	REV
5:1		1 OF 4	B4

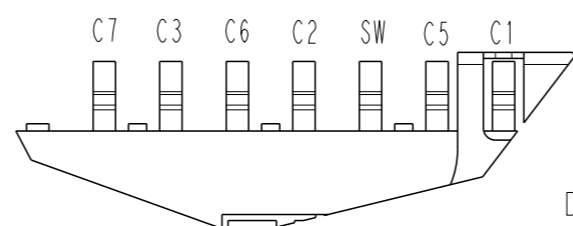
P	LTR	DESCRIPTION	DATE	DWN	APVD
		SEE SHEET 1			



**SOLE**

**OB**

<6 POS PCB LAYOUT>  
TOLERANCE: ±0.05



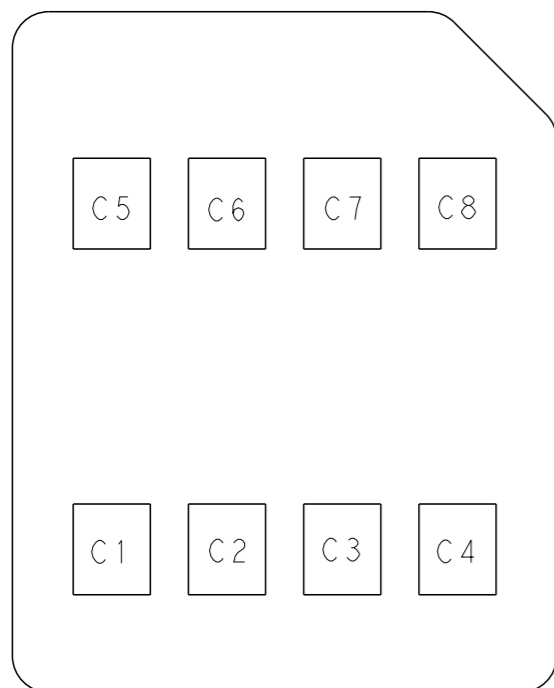
PIN No.  
DETAIL B  
SCALE 8:1

NO	COMPONENT	MATERIAL/FINISH
3	SHELL	△3
2	CONTACT	△2
1	HOUSING	△1

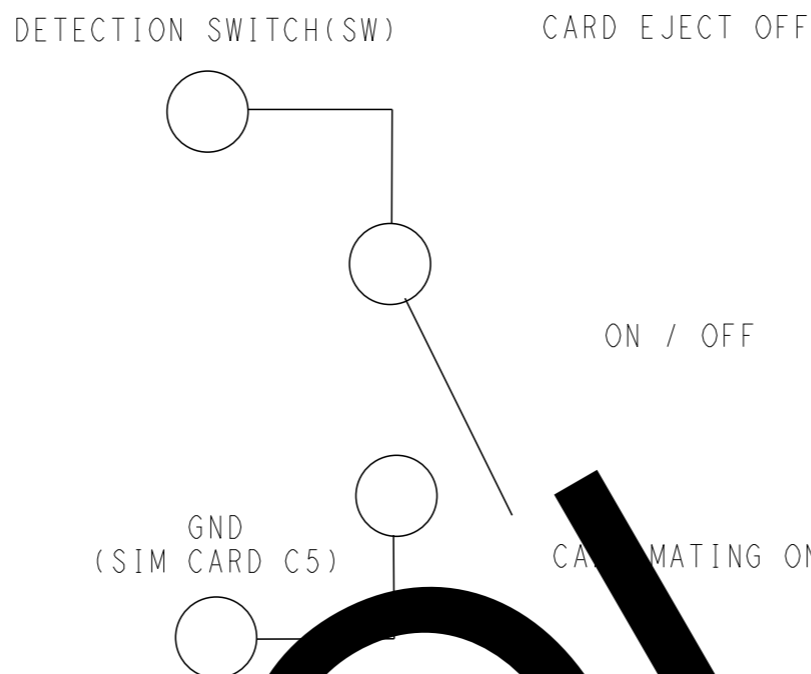
THIS DRAWING IS A CONTROLLED DOCUMENT.		DWN WJ.Choi 17FEB2012	TE Connectivity	
DIMENSIONS: mm		CHK JH.Kim 17FEB2012		
TOLERANCES UNLESS OTHERWISE SPECIFIED:		APVD BW.Kang 17FEB2012	NAME MICRO SIM 1.24 Push-Pull TYPE	
0 PLC ±0.1		PRODUCT SPEC 108-61153	SIZE A3 CAGE CODE 00779 DRAWING NO C-2108431	
1 PLC ±0.1		APPLICATION SPEC -	RESTRICTED TO -	
2 PLC ±0.1		WEIGHT -	SCALE 5:1 SHEET 2 OF 4 REV B4	
3 PLC ±0.1		CUSTOMER DRAWING		
4 PLC ±0.1				
ANGLES ±1				
FINISH SEE TABLE				
MATERIAL △1 △2 △3				

P	LTR	DESCRIPTION	DATE	DWN	APVD
		SEE SHEET 1			

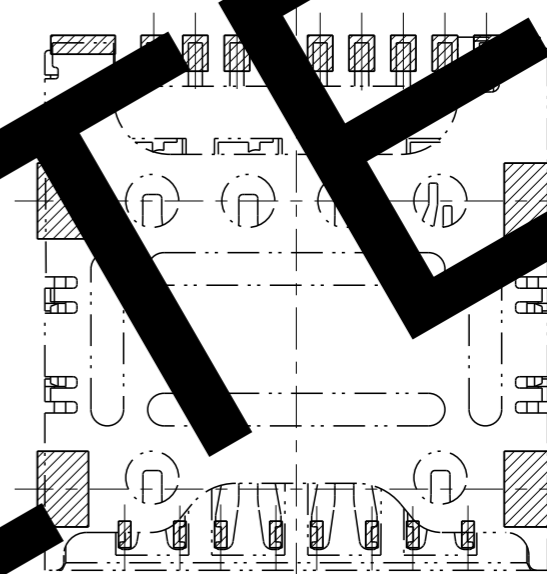
0.76±0.08



SIM CARD PAD LAYOUT



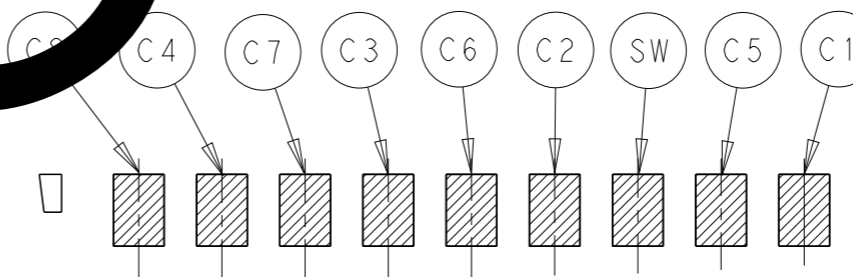
CIRCUIT DRAWING OF SWITCH



MATCH WITH PCB LAYOUT SCALE <5:1>


PIN No.	PIN NAME
C7	I/O
C6	PP
C5	D
C4	RESERVED
C3	CLK
C2	RST
C1	VCC

SIM CARD PIN ASSIGNMENT



PCB LAYOUT (REFERENCE) (VIEW FROM CONNECTOR MOUNT SIDE)

DETAIL C SCALE 10:1

THIS DRAWING IS A CONTROLLED DOCUMENT.		DWN WJ.Choi 17FEB2012	 TE Connectivity	
DIMENSIONS: mm		CHK JH.Kim 17FEB2012		
TOLERANCES UNLESS OTHERWISE SPECIFIED:		APVD BW.Kang 17FEB2012	NAME MICRO SIM 1.24 Push-Pull TYPE	
0 PLC ±0.1		PRODUCT SPEC 108-61153	SIZE CAGE CODE DRAWING NO RESTRICTED TO	
1 PLC ±0.1		APPLICATION SPEC -	A300779 C-2108431	
2 PLC ±0.1		WEIGHT -	SCALE 6:1 SHEET 3 OF 4 REV B4	
3 PLC ±0.1		CUSTOMER DRAWING		
4 PLC ±0.1				
ANGLES ±1				
FINISH SEE TABLE				



THIS DRAWING IS UNPUBLISHED.

RELEASED FOR PUBLICATION

20

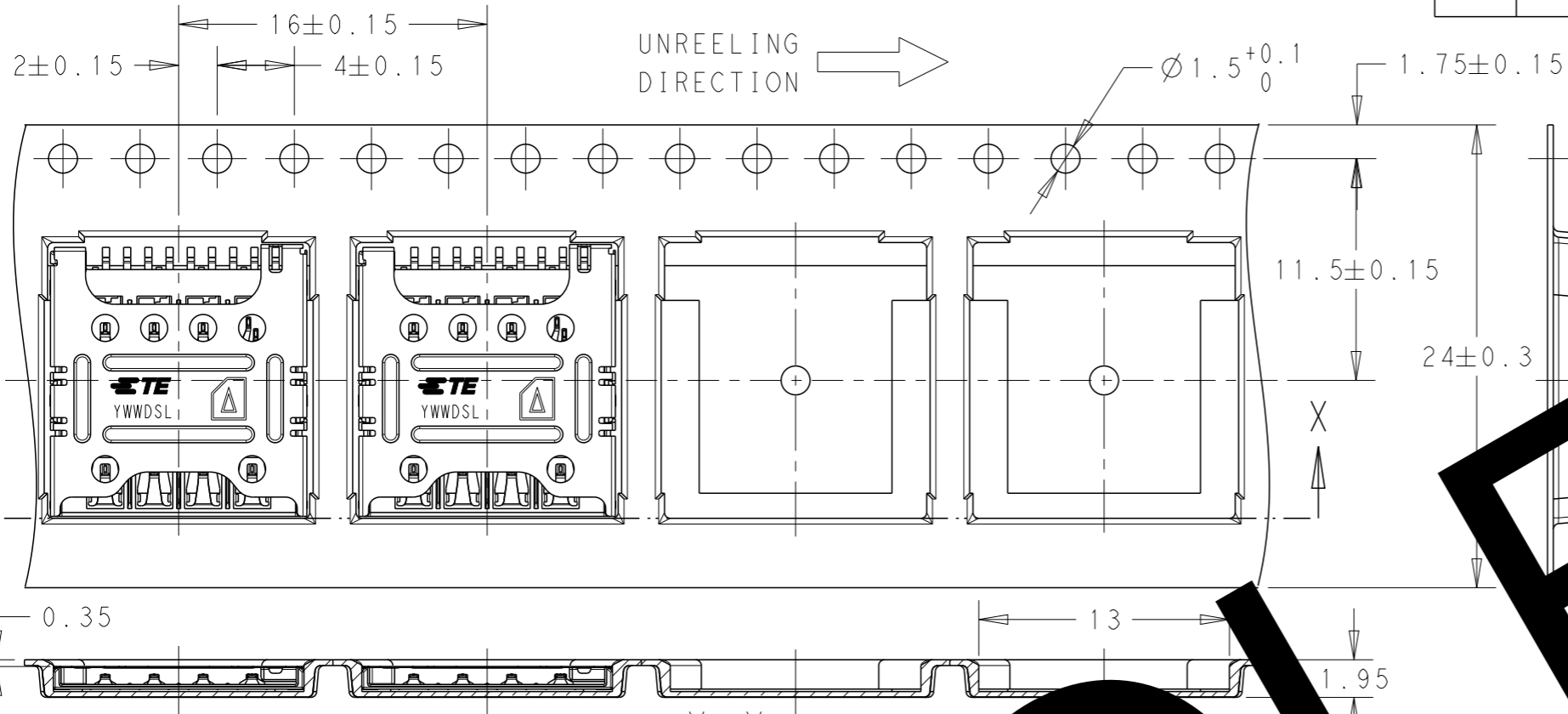
© COPYRIGHT 20 BY -

ALL RIGHTS RESERVED.

LOC	DIST
-	-

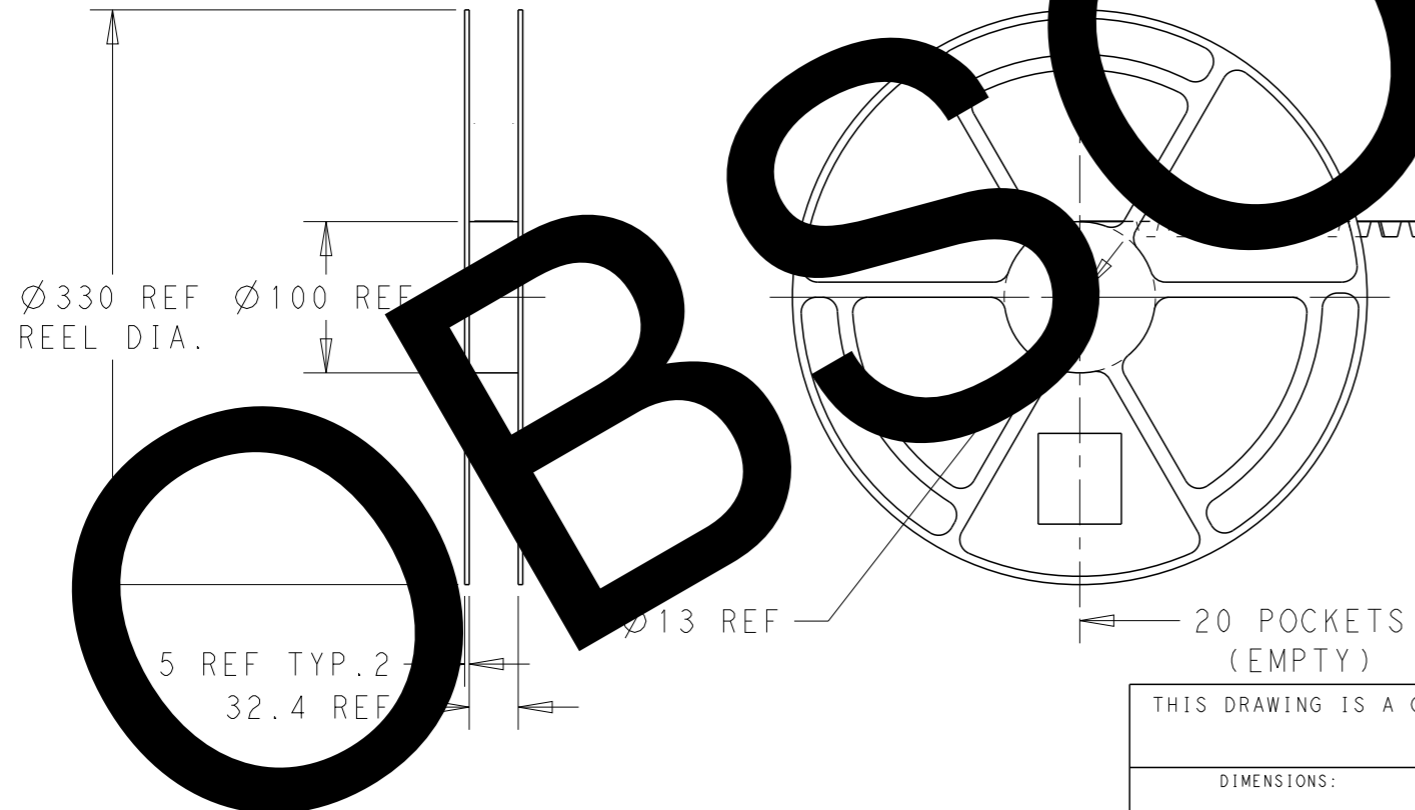
REVISIONS

P	LTR	DESCRIPTION	DATE	DWN	APVD
		SEE SHEET 1			



1. HOUSING MATERIAL : THERMO PLASTIC REEL.
2. CONTACT MATERIAL : COPPER ALLOY.  
FINISH : 1.3um MIN. NICKEL UNDERPLATING ALL OVER,  
GOLD PLATING 0.3um MIN. ZONE 1,  
GOLD PLATING 0.3um MIN. ZONE 2.
3. SHELL MATERIAL : STAINLESS STEEL.  
FINISH : 1.3um MIN. NICKEL UNDERPLATING ALL OVER,  
TIN PLATING 0.3um MIN. ZONE 3.
4. COPLANARITY : 0.15mm MAX
5. COPLANARITY MEASURED ON 8 CONTACTS & 5 CLIP PEGS IN ONE PASS.
6. DIMENTION MEASURED FROM PLASTIC TO CENTER OF CLIP PEGS.
7. BROKEN BURR IS NOT PERMITTED.
8. NO STRIP-LINE AREA
9. TE LOGO, CARD INSERTION LOGO
10. DATE : YWDSL (YEAR, WEEK, DAY, SHIFT, LINE)
11. MUST NOT CONTAIN ANY SUBSTANCE WHICH ARE SPECIFIED IN (OGA-2049)
12. PACKING QUANTITY : 2000PCS/REEL
13. GROUND PATTERN
14. THIS PATTERN IS NOT GROUND. IT IS ONLY FLOTING PATTERN.

400mm REF FEEDING THE COVER TAPE.



WITH PRODUCT CHARGE 2000EA/1REEL 20 POCKETS (EMPTY)

THIS DRAWING IS A CONTROLLED DOCUMENT.		DWN WJ.Choi 17FEB2012	TE Connectivity													
DIMENSIONS: mm		CHK JH.Kim 17FEB2012														
TOLERANCES UNLESS OTHERWISE SPECIFIED:		APVD BW.Kang 17FEB2012	NAME MICRO SIM H1.24 Push-Pull TYPE													
<table border="1"> <tr><td>0 PLC</td><td>±0.2</td></tr> <tr><td>1 PLC</td><td>±0.2</td></tr> <tr><td>2 PLC</td><td>±0.2</td></tr> <tr><td>3 PLC</td><td>±0.2</td></tr> <tr><td>4 PLC</td><td>±0.2</td></tr> <tr><td>ANGLES</td><td>±1</td></tr> </table>		0 PLC	±0.2	1 PLC	±0.2	2 PLC	±0.2	3 PLC	±0.2	4 PLC	±0.2	ANGLES	±1	PRODUCT SPEC 108-61153	SIZE CAGE CODE DRAWING NO RESTRICTED TO	
0 PLC	±0.2															
1 PLC	±0.2															
2 PLC	±0.2															
3 PLC	±0.2															
4 PLC	±0.2															
ANGLES	±1															
MATERIAL - FINISH SEE TABLE		APPLICATION SPEC -	A300779 C-2108431													
		WEIGHT -	SCALE 5:1 SHEET 4 OF 4 REV B4													
		CUSTOMER DRAWING														