



Chipsmall Limited consists of a professional team with an average of over 10 year of expertise in the distribution of electronic components. Based in Hongkong, we have already established firm and mutual-benefit business relationships with customers from,Europe,America and south Asia,supplying obsolete and hard-to-find components to meet their specific needs.

With the principle of “Quality Parts,Customers Priority,Honest Operation,and Considerate Service”,our business mainly focus on the distribution of electronic components. Line cards we deal with include Microchip,ALPS,ROHM,Xilinx,Pulse,ON,Everlight and Freescale. Main products comprise IC,Modules,Potentiometer,IC Socket,Relay,Connector.Our parts cover such applications as commercial,industrial, and automotives areas.

We are looking forward to setting up business relationship with you and hope to provide you with the best service and solution. Let us make a better world for our industry!



## Contact us

Tel: +86-755-8981 8866 Fax: +86-755-8427 6832

Email & Skype: info@chipsmall.com Web: www.chipsmall.com

Address: A1208, Overseas Decoration Building, #122 Zhenhua RD., Futian, Shenzhen, China

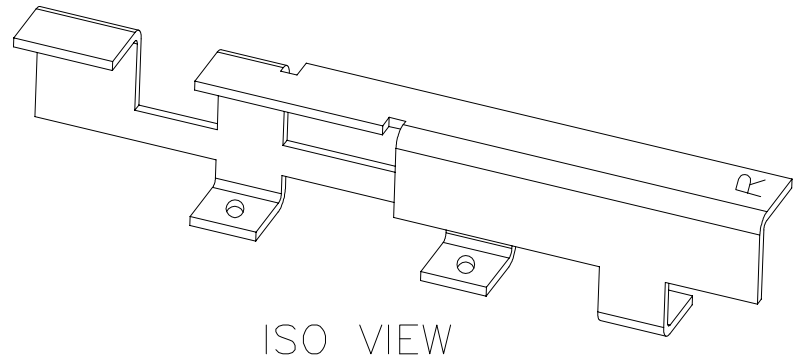
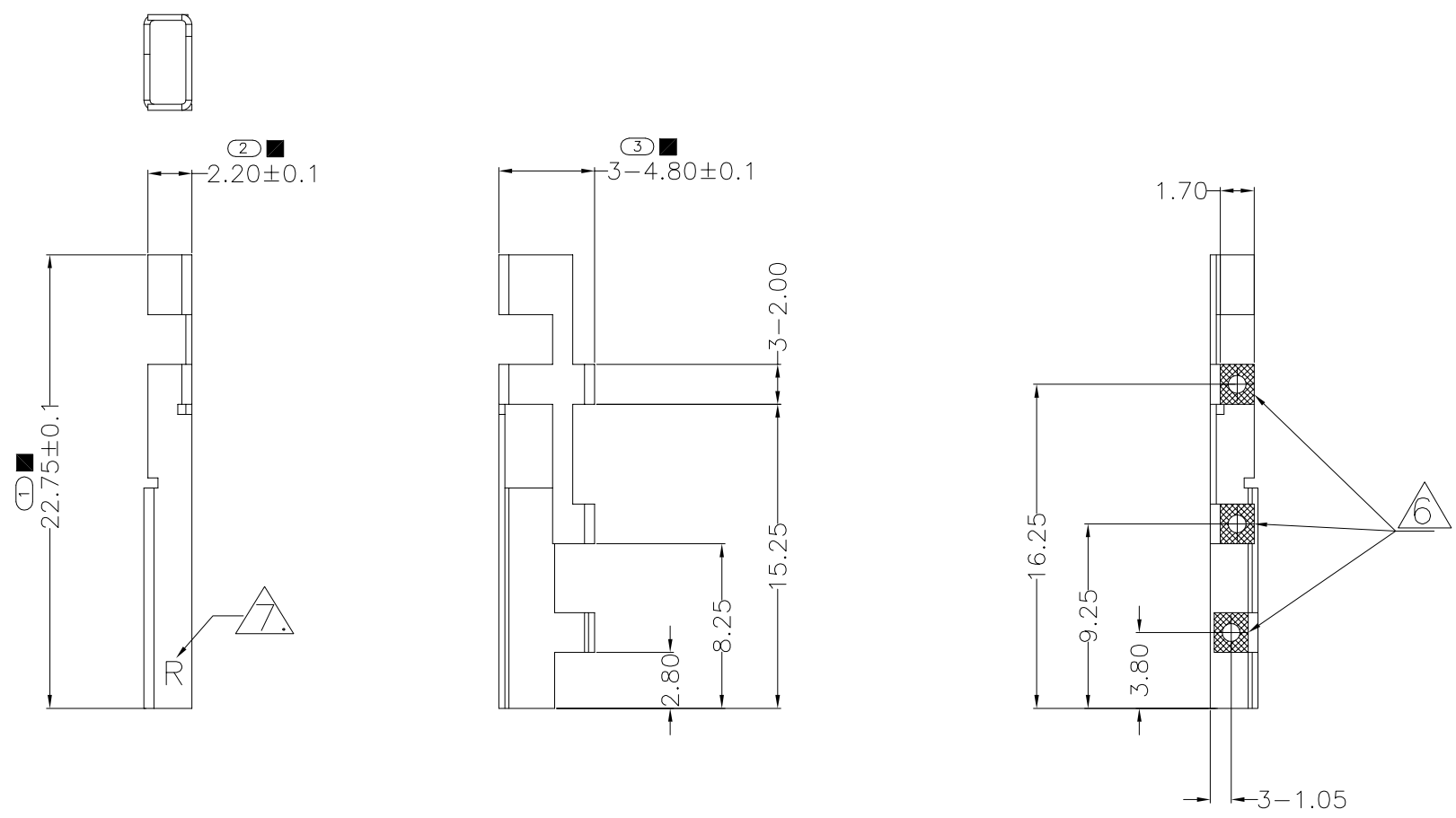


THIS DRAWING IS UNPUBLISHED. RELEASED FOR PUBLICATION 20  
 © COPYRIGHT 20 BY TYCO ELECTRONICS CORPORATION. ALL RIGHTS RESERVED.

LOC	DIST	REVISIONS				
DS	—	P	LTR	DESCRIPTION	DATE	DWN

INSPECTION ITEM NO.  
 SHEET 1 : ① ~ ③  
 ◀:6sigma CONTROLLED DIMENSION  
 ■:QIP INSPECTION ITEM

GENERAL TOLERANCE : ±0.2



NOTE

- Material : SUS 304 1/2H
  - Thickness : 0.3 t
  - Ni-Plating 1.0~5.0 micro meter  
Overplated with Sn-plating 1.0~5.0 micro meter
  - Cutting Burr : 0.1mm MAX
  - Coplanarity : 0.1mm MAX
- △ SMD Area  
 △ Stamping Specification : Intaglio "R"

<small>THIS DRAWING IS A CONTROLLED DOCUMENT FOR TYCO ELECTRONICS CORPORATION          IT IS SUBJECT TO CHANGE AND THE CONTROLLING ENGINEERING ORGANIZATION          SHOULD BE CONTACTED FOR THE LATEST REVISION.</small>		DWN 26-SEP-12 JH.LIM CHK 26-SEP-12 JH.LIM APVD 26-SEP-12 JH.LIM PRODUCT SPEC — APPLICATION SPEC — WEIGHT —			
DIMENSIONS: mm 		TOLERANCES UNLESS OTHERWISE SPECIFIED: GENERAL TOLERANCE IS ±0.1 0-PLC ± 1-PLC ± 2-PLC ± 3-PLC ± 4-PLC ± ANGLES ± FINISH —		NAME WIFI 2x2 SMD TYPE STAMPING ELEMENT-RIGHT SIZE CAGE CODE DRAWING NO RESTRICTED TO A300779 C- 2108517-1 —	
MATERIAL —		CUSTOMER DRAWING		SCALE 3:1 SHEET 1 OF 2 REV A2	

4

3

2

1

THIS DRAWING IS UNPUBLISHED.

RELEASED FOR PUBLICATION

20

LOC DS

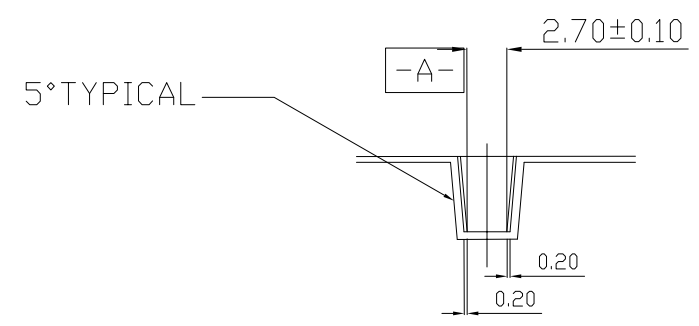
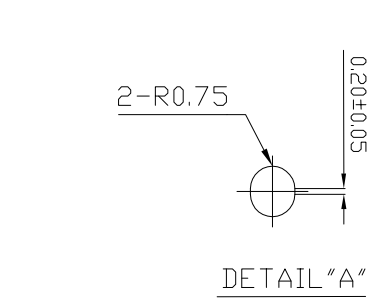
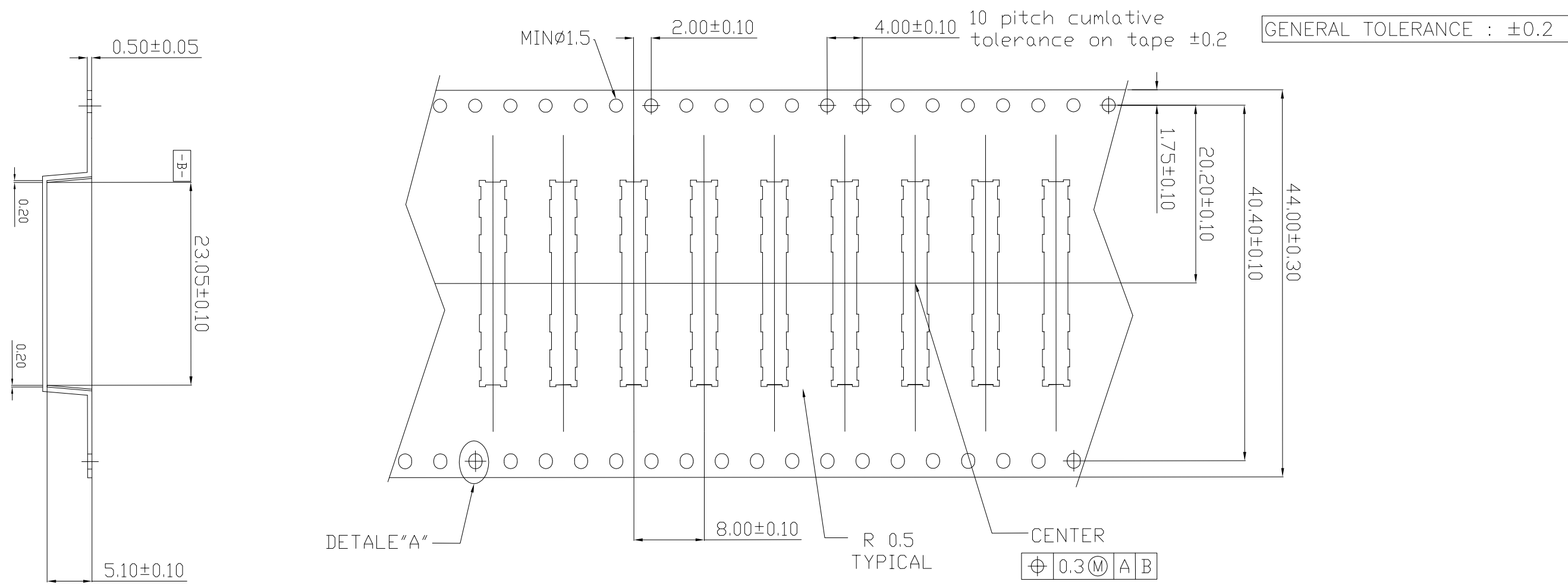
DIST -

REVISIONS

© COPYRIGHT 20

BY TYCO ELECTRONICS CORPORATION. ALL RIGHTS RESERVED.

P	LTR	DESCRIPTION	DATE	DWN



REEL	TYPE PLASTIC	COLOR BLUE	HUB 80	SIZE 330
SHEET	CL 44mmX0.5t	POCKET COUNTER	1,500 POCKET	

NOTE

1. APPLICABLE HDR P/N: TBD
2. PACKING Q'TY : 1500EA/ REEL
3. EXFOLIATION STRENGTH OF COVER TAPE : 0.1 ~ 1.27N (10~130gf)
4. MATERIAL : CARRIER TAPE : PS 0.4T  
COVER TAPE : PET 0.08T  
PLASTIC REEL : PS (CONDUCTIVE)

<small>THIS DRAWING IS A CONTROLLED DOCUMENT FOR TYCO ELECTRONICS CORPORATION IT IS SUBJECT TO CHANGE AND THE CONTROLLING ENGINEERING ORGANIZATION SHOULD BE CONTACTED FOR THE LATEST REVISION.</small>		DWN JH.LIM 26-SEP-12 CHK JH.LIM 26-SEP-12 APVD JH.LIM 26-SEP-12			
DIMENSIONS: mm	TOLERANCES UNLESS OTHERWISE SPECIFIED: GENERAL TOLERANCE IS ±0.1 0-PLC ± 1-PLC ± 2-PLC ± 3-PLC ± 4-PLC ± ANGLES ± FINISH -	PRODUCT SPEC - APPLICATION SPEC - WEIGHT -	NAME <b>WIFI 2x2 SMD TYPE STAMPING ELEMENT-RIGHT</b>		
MATERIAL			SIZE A3 CAGE CODE 300779 DRAWING NO. C-2108517-1	RESTRICTED TO	
CUSTOMER DRAWING			SCALE 2:1	SHEET 2 OF 2	REV A2