



Chipsmall Limited consists of a professional team with an average of over 10 year of expertise in the distribution of electronic components. Based in Hongkong, we have already established firm and mutual-benefit business relationships with customers from,Europe,America and south Asia,supplying obsolete and hard-to-find components to meet their specific needs.

With the principle of “Quality Parts,Customers Priority,Honest Operation,and Considerate Service”,our business mainly focus on the distribution of electronic components. Line cards we deal with include Microchip,ALPS,ROHM,Xilinx,Pulse,ON,Everlight and Freescale. Main products comprise IC,Modules,Potentiometer,IC Socket,Relay,Connector.Our parts cover such applications as commercial,industrial, and automotives areas.

We are looking forward to setting up business relationship with you and hope to provide you with the best service and solution. Let us make a better world for our industry!



## Contact us

Tel: +86-755-8981 8866 Fax: +86-755-8427 6832

Email & Skype: info@chipsmall.com Web: www.chipsmall.com

Address: A1208, Overseas Decoration Building, #122 Zhenhua RD., Futian, Shenzhen, China



4

3

2

1

THIS DRAWING IS UNPUBLISHED. RELEASED FOR PUBLICATION 20  
 © COPYRIGHT 20 BY TYCO ELECTRONICS CORPORATION. ALL RIGHTS RESERVED.

LOC	DIST	REVISIONS			
P	LTR	DESCRIPTION	DATE	DWN	
DS	—	A3	SEE SHEET 2	2018.07.04	DW

INSPECTION ITEM NO.  
 SHEET 1 : ① ~ ③  
 ◀:6sigma CONTROLLED DIMENSION  
 ■:QIP INSPECTION ITEM

GENERAL TOLERANCE : ±0.2

D

D

C

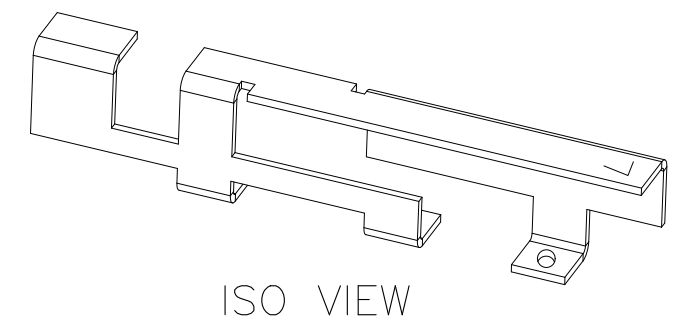
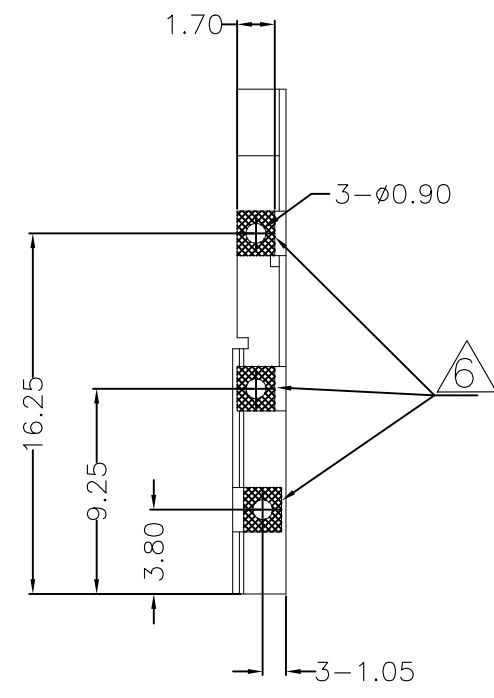
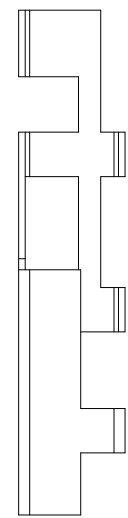
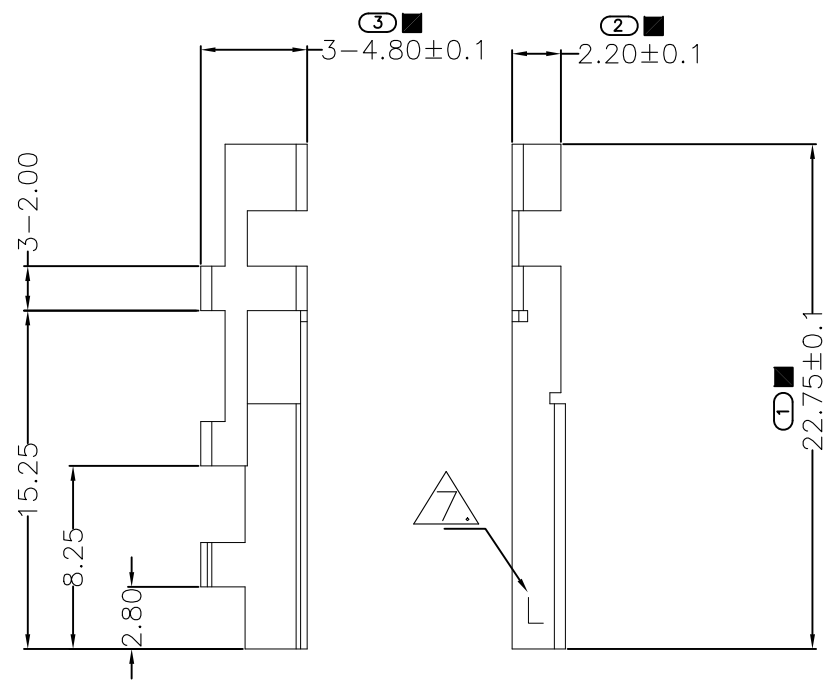
C

B

B

A

A



NOTE

- Material : SUS 304 1/2H
- Thickness : 0.3 t
- Ni-Plating 1.0~5.0 micro meter  
Overplated with Sn-plating 1.0~5.0 micro meter
- Cutting Burr : 0.1mm MAX
- Coplanarity : 0.1mm MAX
- ⑥ SMD Area
- ⑦ Stamping Specification : Intaglio "L"

<small>THIS DRAWING IS A CONTROLLED DOCUMENT FOR TYCO ELECTRONICS CORPORATION          IT IS SUBJECT TO CHANGE AND THE CONTROLLING ENGINEERING ORGANIZATION          SHOULD BE CONTACTED FOR THE LATEST REVISION.</small>		DWN 26-SEP-12 JH.LIM CHK 26-SEP-12 JH.LIM APVD 26-SEP-12 JH.LIM PRODUCT SPEC — APPLICATION SPEC — WEIGHT —		TE Connectivity	
DIMENSIONS: mm 		TOLERANCES UNLESS OTHERWISE SPECIFIED: GENERAL TOLERANCE IS ±0.1 0-PLC ±— 1-PLC ±— 2-PLC ±— 3-PLC ±— 4-PLC ±— ANGLES ±—		NAME WIFI 2x2 SMD TYPE STAMPING ELEMENT-LEFT	
MATERIAL — FINISH —		CUSTOMER DRAWING		SIZE CAGE CODE DRAWING NO RESTRICTED TO A300779 C- 2108517-2 —	
SCALE 3:1				SHEET 1 OF 2 REV A3	

4

3

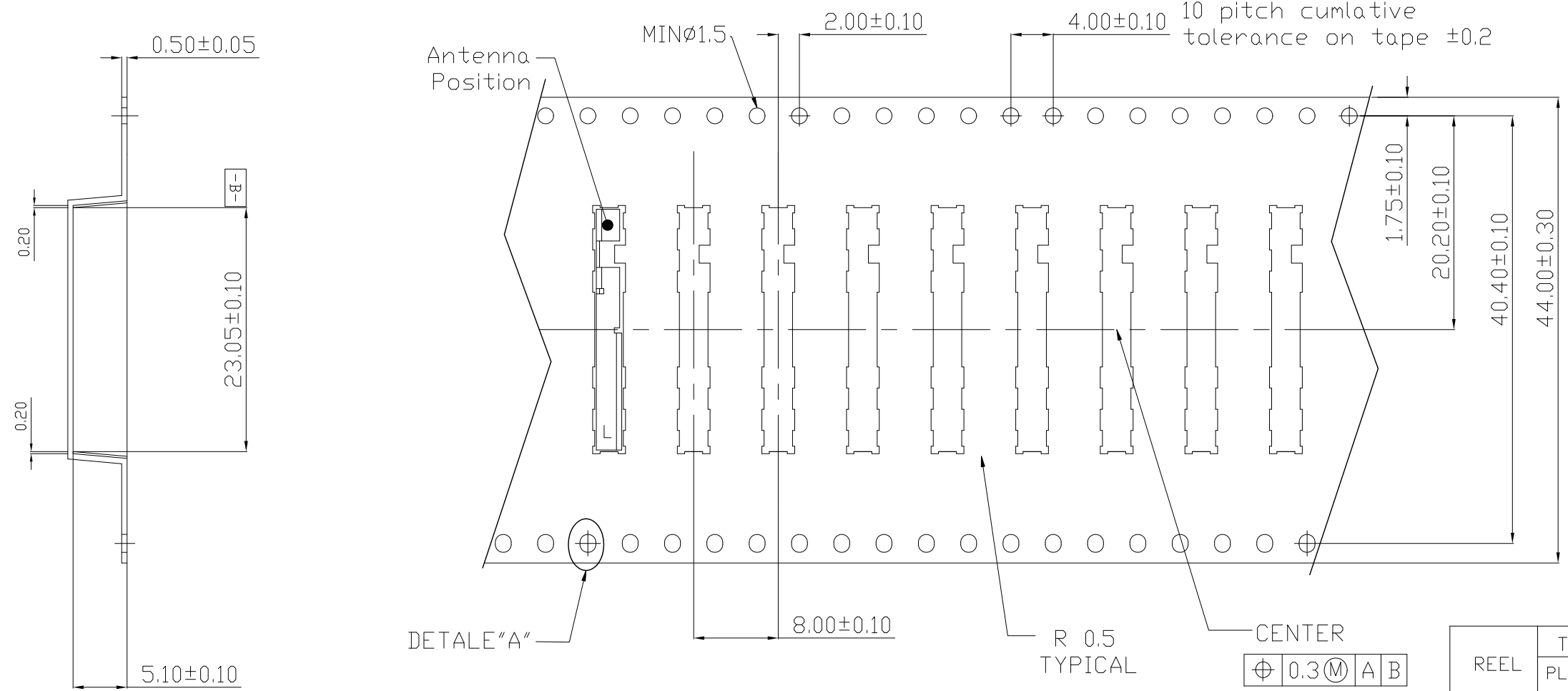
2

1

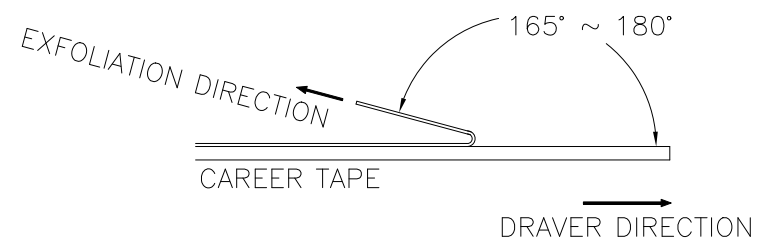
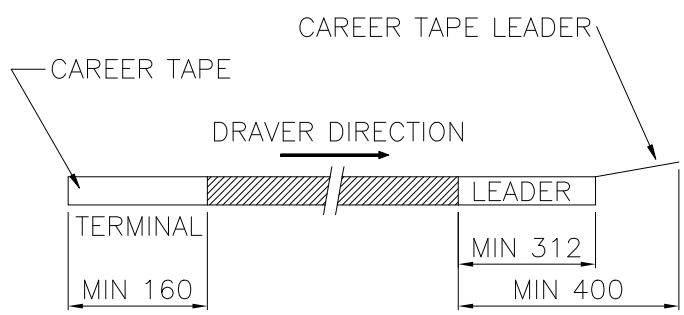
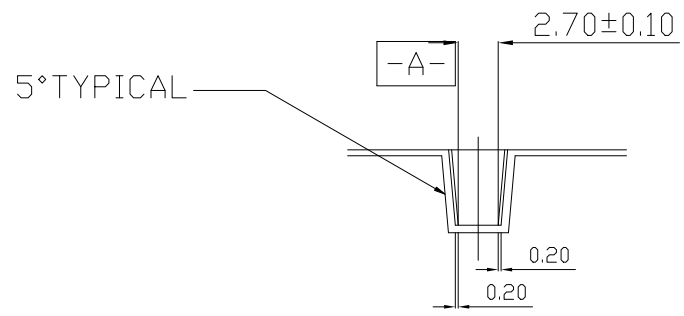
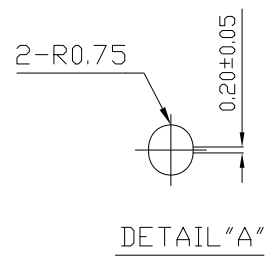
THIS DRAWING IS UNPUBLISHED. RELEASED FOR PUBLICATION 20  
COPYRIGHT 20 BY TYCO ELECTRONICS CORPORATION. ALL RIGHTS RESERVED.

LOC	DIST	REVISIONS				
DS	-	P	LTR	DESCRIPTION	DATE	DWN
		A3		Modified structure for prevent fool proofing	2018.07.04	DW

GENERAL TOLERANCE : ±0.2



REEL	TYPE	COLOR	HUB	SIZE
	PLASTIC	BLACK	80	330
SHEET	CL 44mmX0.5t	POCKET COUNTER	1,500 POCKET	



1. APPLICABLE HDR P/N: TBD
2. PACKING Q'TY : 1500EA/ REEL
3. EXFOLIATION STRENGTH OF COVER TAPE : 0.1 ~ 1.27N (10~130gf)
4. MATERIAL : CAREER TAPE : PS 0.4T  
COVER TAPE : PET 0.08T  
PLASTIC REEL : PS (CONDUCTIVE)

THIS DRAWING IS A CONTROLLED DOCUMENT FOR TYCO ELECTRONICS CORPORATION IT IS SUBJECT TO CHANGE AND THE CONTROLLING ENGINEERING ORGANIZATION SHOULD BE CONTACTED FOR THE LATEST REVISION.

DWN	JH.LIM	26-SEP-12	TE Connectivity	NAME WIFI 2x2 SMD TYPE STAMPING ELEMENT-LEFT			
CHK	JH.LIM	26-SEP-12					
APVD	JH.LIM	26-SEP-12					
DIMENSIONS:		TOLERANCES UNLESS OTHERWISE SPECIFIED:		SIZE	CAGE CODE	DRAWING NO	RESTRICTED TO
mm		GENERAL TOLERANCE IS ±0.1		A3	300779	2108517-2	-
		0-PLC ± 1-PLC ± 2-PLC ± 3-PLC ± 4-PLC ± ANGLES ± FINISH -		APPLICATION SPEC	WEIGHT	SCALE	SHEET
MATERIAL		FINISH		-	-	2:1	2 OF 2
CUSTOMER DRAWING				REV	A3		