



Chipsmall Limited consists of a professional team with an average of over 10 year of expertise in the distribution of electronic components. Based in Hongkong, we have already established firm and mutual-benefit business relationships with customers from,Europe,America and south Asia,supplying obsolete and hard-to-find components to meet their specific needs.

With the principle of “Quality Parts,Customers Priority,Honest Operation,and Considerate Service”,our business mainly focus on the distribution of electronic components. Line cards we deal with include Microchip,ALPS,ROHM,Xilinx,Pulse,ON,Everlight and Freescale. Main products comprise IC,Modules,Potentiometer,IC Socket,Relay,Connector.Our parts cover such applications as commercial,industrial, and automotives areas.

We are looking forward to setting up business relationship with you and hope to provide you with the best service and solution. Let us make a better world for our industry!



## Contact us

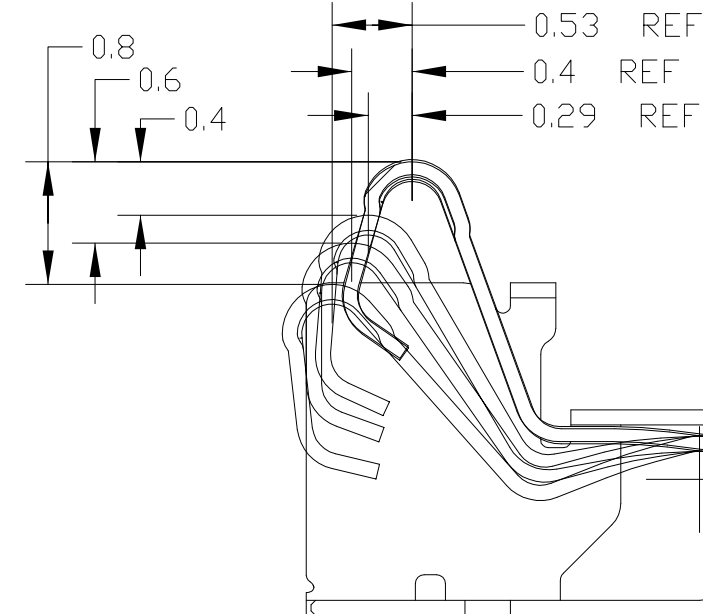
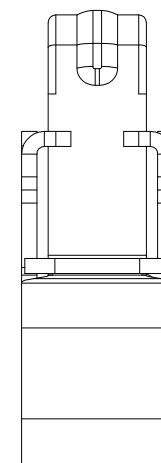
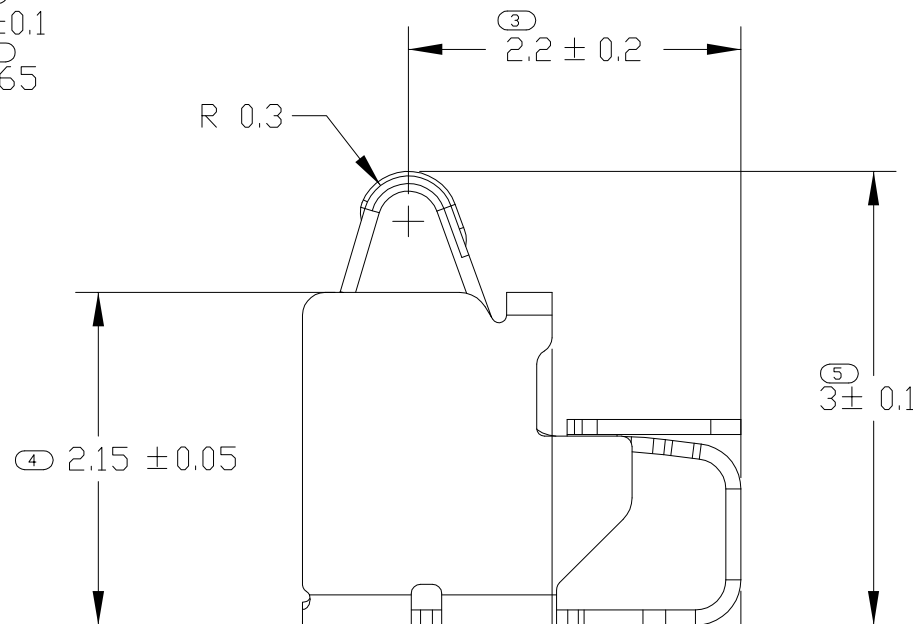
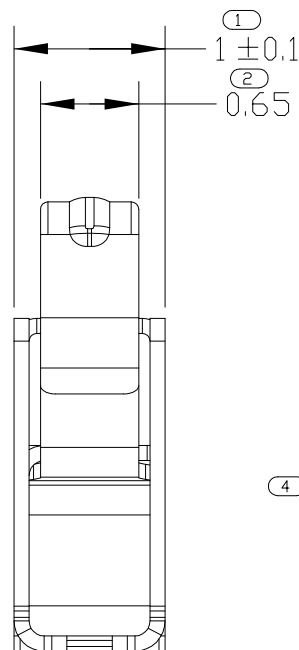
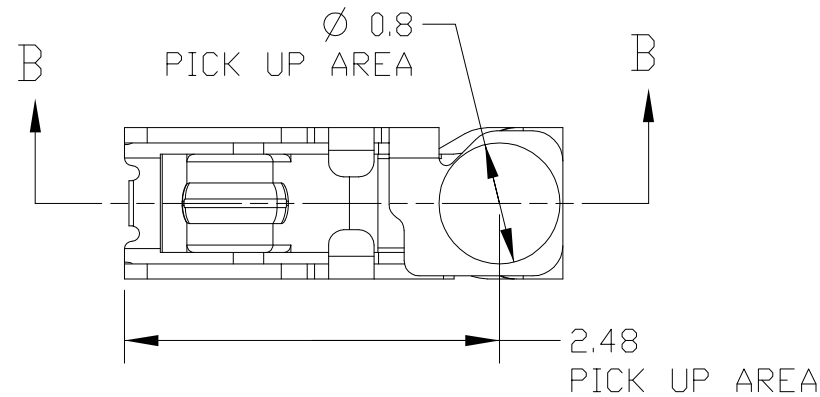
Tel: +86-755-8981 8866 Fax: +86-755-8427 6832

Email & Skype: info@chipsmall.com Web: www.chipsmall.com

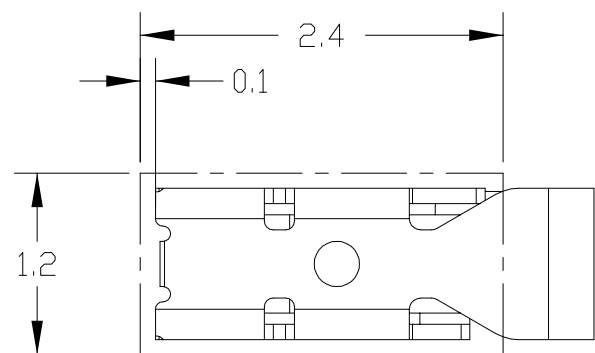
Address: A1208, Overseas Decoration Building, #122 Zhenhua RD., Futian, Shenzhen, China



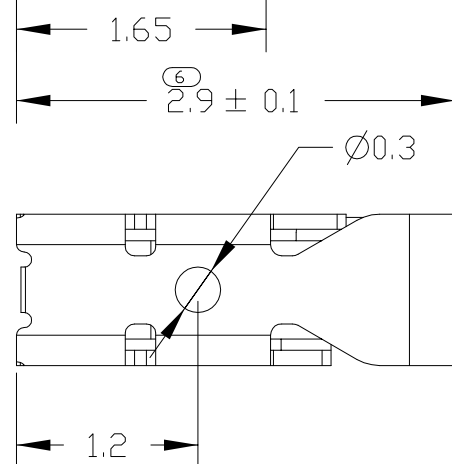
| P | LTR | DESCRIPTION | DATE       | DWN  | APVD |
|---|-----|-------------|------------|------|------|
|   | B   | REVISED     | 05JUNE2013 | IC.K | JH.K |
|   | C   | REVISED     | 10JUNE2013 | IC.K | JH.K |
|   | C1  | REVISED     | 25FEB2014  | IC.K | JH.K |
|   | C2  | REVISED     | 06FEB2015  | IC.K | JH.K |



SECTION B-B  
STROKE CONDITION(REFERENCE)



RECOMMENDED PCB LAYOUT  
(REFERENCE)



- 1 MATERIAL: TICU(COPPER ALLOY), THK.= 0.1
- 2 FINISH: Ni UNDER PLATING ALL OVER 0.8~3.0um  
CONTACT PLATING: Au 0.1~0.4um  
SOLDER PLATING: Au 0.05~0.35um
- 3 CUTTING BURR: 0.05mm MAX.

- 4 F/G SHOULD BE SEPARATED BASED ON THE CUSTOMER'S PART NUMBER AS BELOW TABLE

| NO | PART NUMBER | CUSTOMER PART NUMBER | PRODUCT SPEC |
|----|-------------|----------------------|--------------|
| 1  | 2108609-5   | MBV62562101          | 108-61190    |
| 2  | 2108609-6   | EAG63651901          |              |
| 3  | 2-2108609-6 | -                    | 108-61255    |

THIS DRAWING IS A CONTROLLED DOCUMENT.

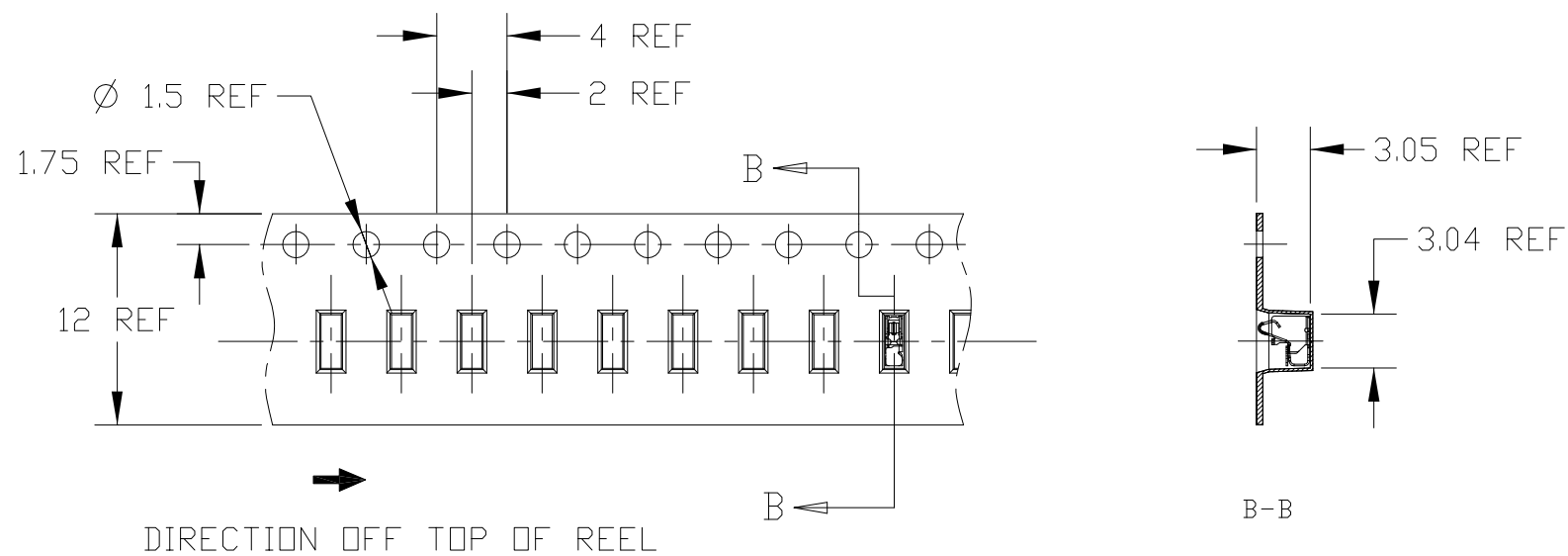
|                   |  |
|-------------------|--|
| DIMENSIONS:<br>mm | TOLERANCES UNLESS OTHERWISE SPECIFIED:<br>± 0.15 |
|                   | 0-PLC ±  |
|                   | 1-PLC ±0.5                                       |
|                   | 2-PLC ±0.13                                      |
|                   | 3-PLC ±0.013                                     |
|                   | 4-PLC ±0.0001                                    |
|                   | ANGLES ±   |
| MATERIAL          | FINISH   |
| 1                 | 2  |

|                  |             |           |
|------------------|-------------|-----------|
| DWN              | IC KANG     | 09APR2013 |
| CHK              | JH KIM      | 09APR2013 |
| APVD             | JH KIM      | 09APR2013 |
| PRODUCT SPEC     | SEE TABLE 4 |           |
| APPLICATION SPEC | -           |           |
| WEIGHT           | -           |           |
| CUSTOMER DRAWING |             |           |

|                            |           |              |               |
|----------------------------|-----------|--------------|---------------|
| TE Connectivity            |           |              |               |
| NAME<br>SPRING FINGER 3.0H |           |              |               |
| SIZE                       | CAGE CODE | DRAWING NO   | RESTRICTED TO |
| A3                         | 00779     | C=2108609    | -             |
| SCALE 20:1                 |           | SHEET 1 OF 3 | REV C2        |

| LOC |     | DIST        |      | REVISIONS |      |  |
|-----|-----|-------------|------|-----------|------|--|
| P   | LTR | DESCRIPTION | DATE | DWN       | APVD |  |
| -   | -   | SEE SHEET 1 |      |           |      |  |

# ① 4 <2108609-5 : FOR MBV62562101>



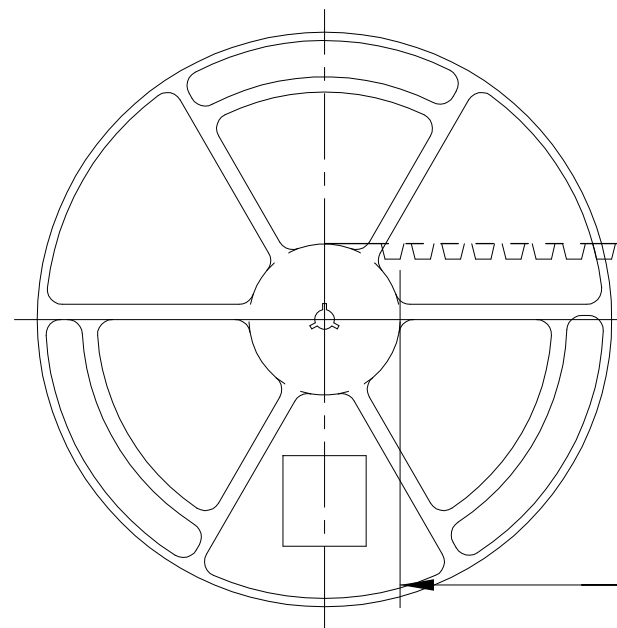
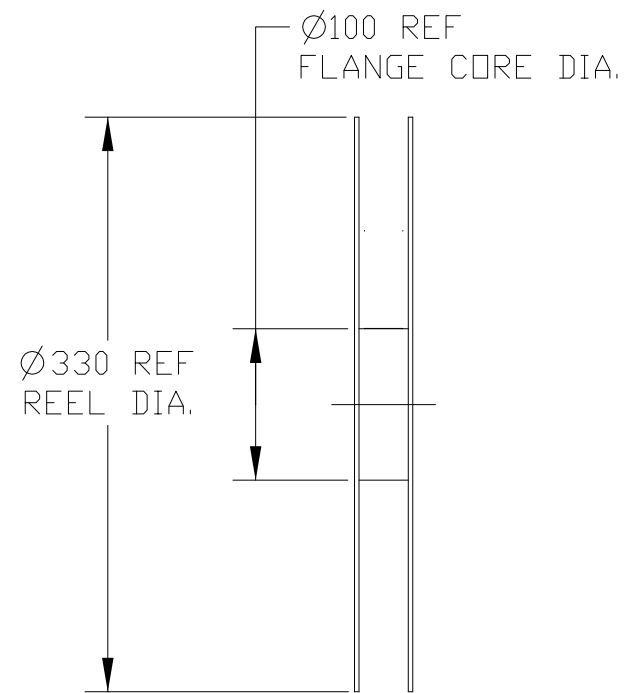
①

**TE**  
 MBV62562101-YYYYMMDD-\*\*\*\*\*-HK000120  
 SPEC: 3.0H SPRING FINGER WITH EMBOSS  
 Company Name: TE CONNECTIVITY  
 Tyco Part Number : 2108609-5

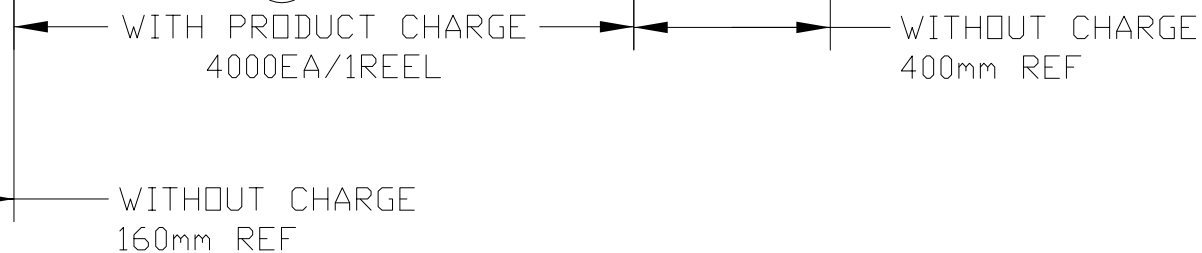
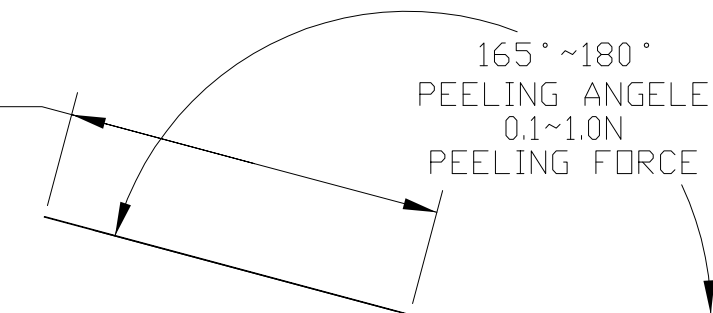
**RoHS H/F**

100 (width)  
70 (height)

- 1. LG PART NO.
- 2. FINAL INSPECTION (YYMMDD)
- 3. VENDOR PRODUCTION LOT NO.
- 4. VENDOR CODE



WEEDING THE COVER TAPE, AROUND THE OUTER PERIPHERY IN A TURN

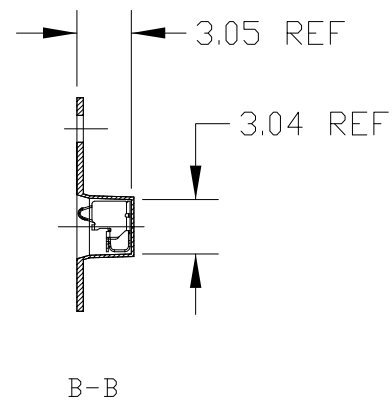
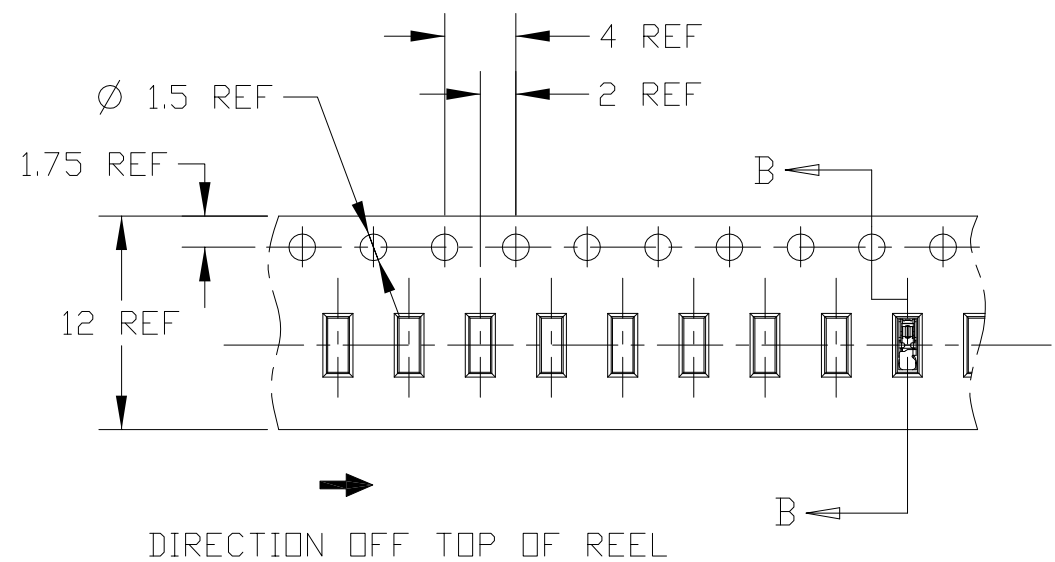


|   |  |              |         |                  |                     |                  |  |                    |           |            |
|---|--|--------------|---------|------------------|---------------------|------------------|--|--------------------|-----------|------------|
| THIS DRAWING IS A CONTROLLED DOCUMENT.  |  | DWN          | JH GONG | 08FEB2013        | <br>TE Connectivity | NAME             |  | SPRING FINGER 3.0H |           |            |
| DIMENSIONS: mm  |  | CHK          | JH KIM  | 08FEB2013        |                     | PRODUCT SPEC     |  | SIZE               | CAGE CODE | DRAWING NO |
| TOLERANCES UNLESS OTHERWISE SPECIFIED: ± 0.15   |  | APVD         | JH KIM  | 08FEB2013        |                     | APPLICATION SPEC |  | 3                  | 00779     | ©=2108609  |
| 0-PLC ±<br>1-PLC ±0.5<br>2-PLC ±0.13<br>3-PLC ±0.013<br>4-PLC ±0.0001<br>ANGLES ±<br>FINISH - |  | PRODUCT SPEC |         | 108-XXXXX        |                     | RESTRICTED TO    |  | -                  |           |            |
| MATERIAL -  |  | WEIGHT -     |         | CUSTOMER DRAWING |                     | SCALE 20:1       |  | SHEET 2 OF 3       |           |            |
|   |  |              |         |                  |                     |                  |  | REV C2             |           |            |



| P | LTR | DESCRIPTION | DATE | DWN | APVD |
|---|-----|-------------|------|-----|------|
|   |     | SEE SHEET 1 |      |     |      |

# ① 4 <2108609-6 : FOR EAG63651901>



①

**TE**

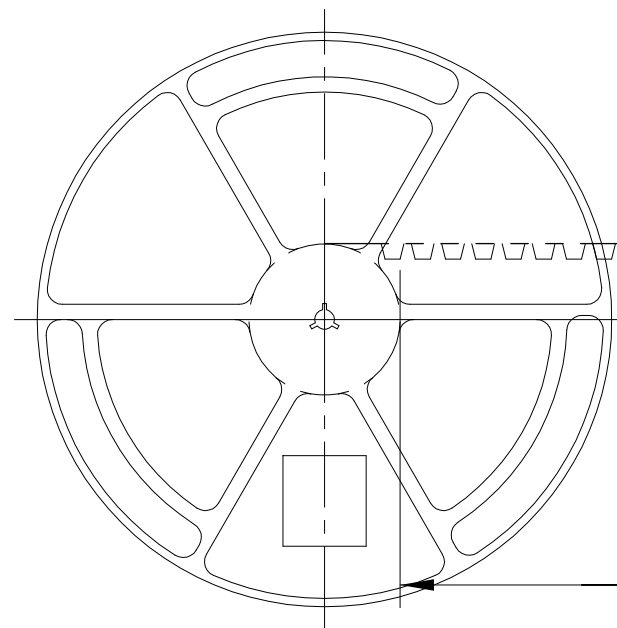
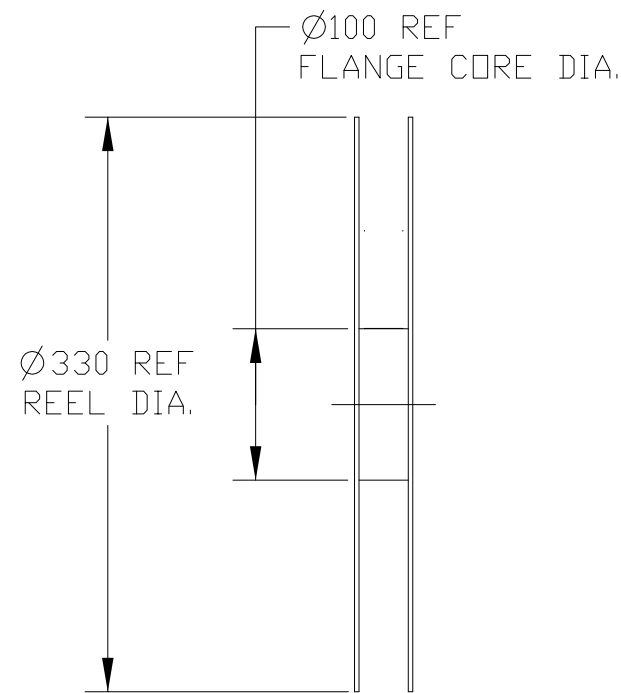
EAG63651901-YYYYMMDD-\*\*\*\*\*-HK000120

SPEC: 3.0H SPRING FINGER WITH EMBOSS

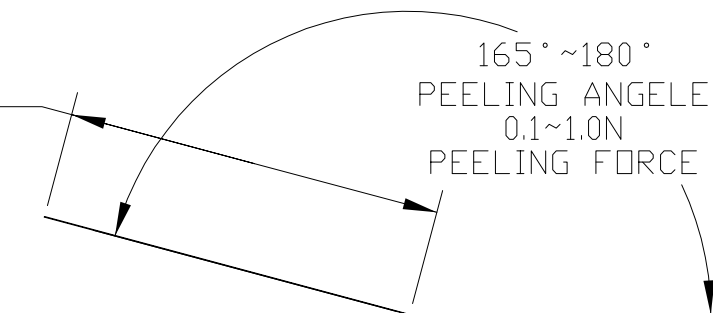
Company Name: TE CONNECTIVITY  
Tyco Part Number : 2108609-5

RoHS
H/F

- 1. LG PART NO.                      2. FINAL INSPECTION(YYYMMDD)
- 3. VENDOR PRODUCTION LOT NO.    4. VENDOR CODE



WEEDING THE COVER TAPE,  
AROUND THE OUTER  
PERIPHERY IN  
A TURN



WITH PRODUCT CHARGE  
4000EA/1REEL

WITHOUT CHARGE  
400mm REF

WITHOUT CHARGE  
160mm REF

13.4  
19.4  
REEL WIDTH

|   |  |                        |  |                                   |  |
|---|--|------------------------|--|-----------------------------------|--|
| THIS DRAWING IS A CONTROLLED DOCUMENT.  |  | DWN JH GONG 08FEB2013  |  | <b>TE</b> TE Connectivity         |  |
|   |  | CHK JH KIM 08FEB2013   |  |                                   |  |
| DIMENSIONS: mm<br>  |  | APVD JH KIM 08FEB2013  |  | NAME<br><b>SPRING FINGER 3.0H</b> |  |
|   |  | PRODUCT SPEC 108-XXXXX |  |                                   |  |
| TOLERANCES UNLESS OTHERWISE SPECIFIED:<br>± 0.15<br>0-PLC ±<br>1-PLC ±0.5<br>2-PLC ±0.13<br>3-PLC ±0.013<br>4-PLC ±0.0001<br>ANGLES ±<br>FINISH - |  | APPLICATION SPEC -     |  | SIZE A3                           |  |
|   |  | MATERIAL -             |  | WEIGHT -                          |  |
|   |  | CUSTOMER DRAWING       |  | DRAWING NO C-2108609              |  |
|   |  |                        |  | RESTRICTED TO -                   |  |
|   |  |                        |  | SCALE 20:1                        |  |
|   |  |                        |  | SHEET 3 OF 3                      |  |
|   |  |                        |  | REV C2                            |  |