



Chipsmall Limited consists of a professional team with an average of over 10 year of expertise in the distribution of electronic components. Based in Hongkong, we have already established firm and mutual-benefit business relationships with customers from,Europe,America and south Asia,supplying obsolete and hard-to-find components to meet their specific needs.

With the principle of “Quality Parts,Customers Priority,Honest Operation,and Considerate Service”,our business mainly focus on the distribution of electronic components. Line cards we deal with include Microchip,ALPS,ROHM,Xilinx,Pulse,ON,Everlight and Freescale. Main products comprise IC,Modules,Potentiometer,IC Socket,Relay,Connector.Our parts cover such applications as commercial,industrial, and automotives areas.

We are looking forward to setting up business relationship with you and hope to provide you with the best service and solution. Let us make a better world for our industry!



## Contact us

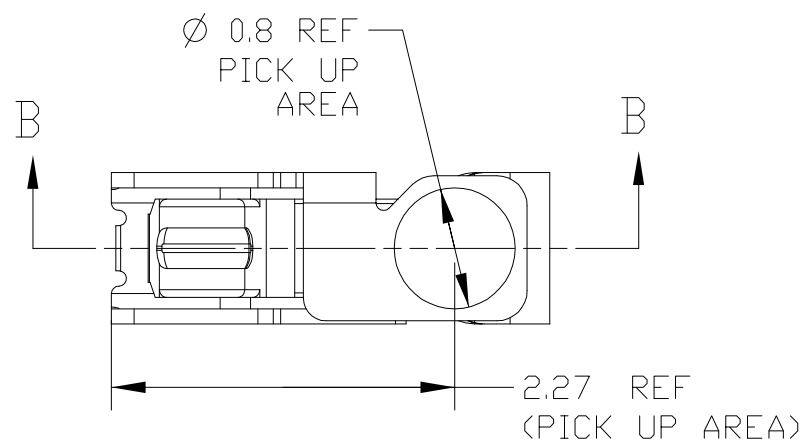
Tel: +86-755-8981 8866 Fax: +86-755-8427 6832

Email & Skype: info@chipsmall.com Web: www.chipsmall.com

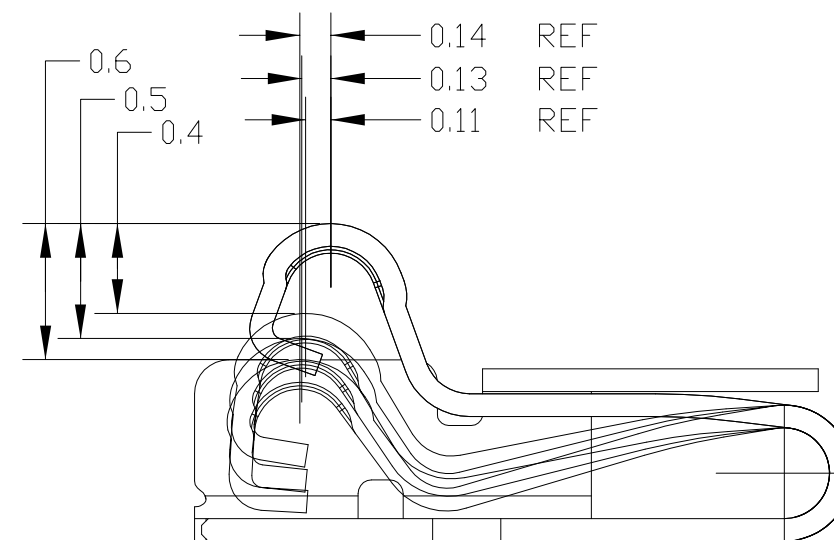
Address: A1208, Overseas Decoration Building, #122 Zhenhua RD., Futian, Shenzhen, China



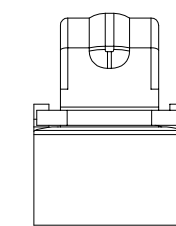
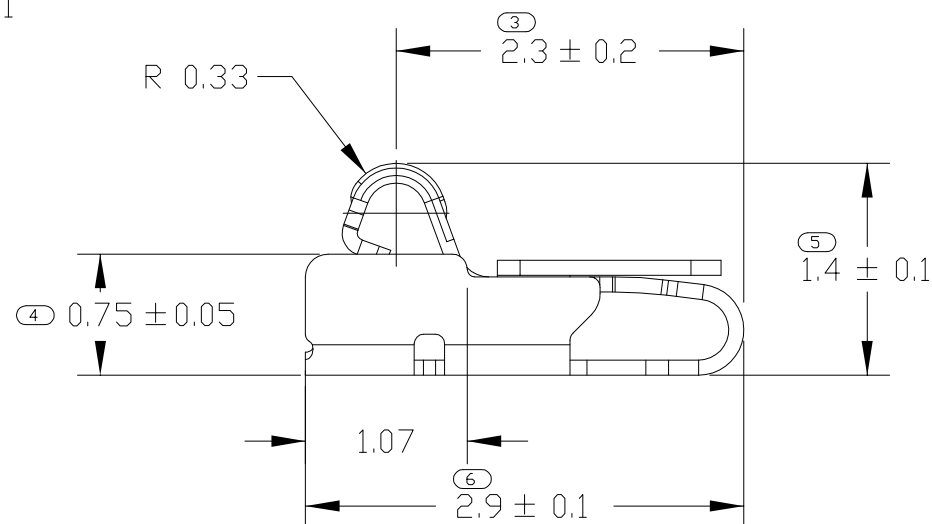
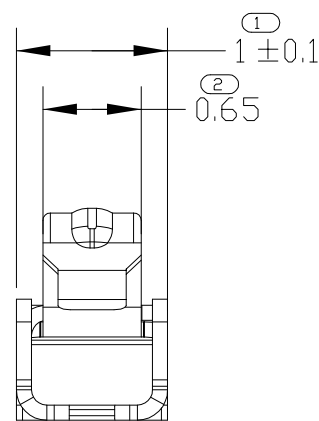
LOC	DIST	REVISIONS					
		P	LTR	DESCRIPTION	DATE	DWN	APVD
-	-		B	REVISED	05JUNE2013	IC.K	JH.K
			C	REVISED	10JUNE2013	IC.K	JH.K
			C1	REVISED	25FEB2014	IC.K	JH.K
			C2	REVISED	05FEB2015	IC.K	JH.K



AS SHOWN  
 ① 2108610-5/6  
 ② 2-2108610-6

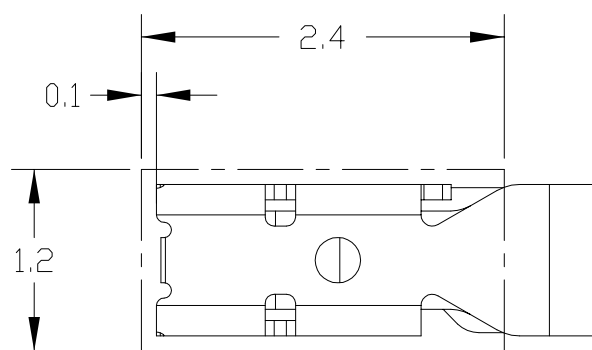


STROKE CONDITION (REFERENCE)  
SECTION B-B



- ① MATERIAL: COPPER ALLOY, THK.=0.1mm
- ② FINISH: NI UNDER PLATING ALL OVER 0.8~3.0um.  
CONTACT PLATING: Au 0.1~0.4um  
SOLDER PLATING: Au FLASH 0.05~0.35um
- ③ CUTTING BURR: 0.05mm MAX.
- ④ F/G SHOULD BE SEPARATED BASED ON THE CUSTOMER'S PART NUMBER AS BELOW TABLE

NO	PART NUMBER	CUSTOMER PART NUMBER	PRODUCT SPEC
1	2108610-5	MBV62562001	108-61185
2	2108610-6	EAG63652301	108-61250
② 3	2-2108610-6	-	108-61250

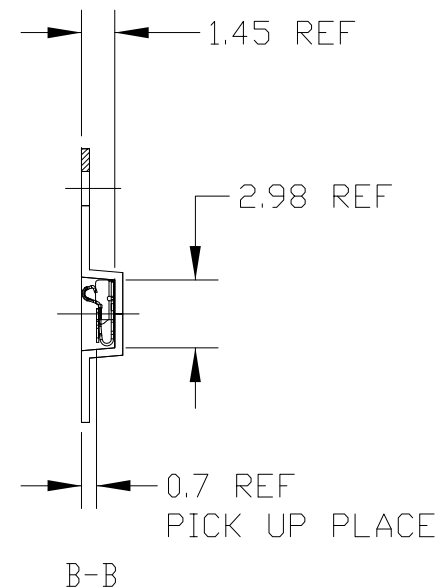
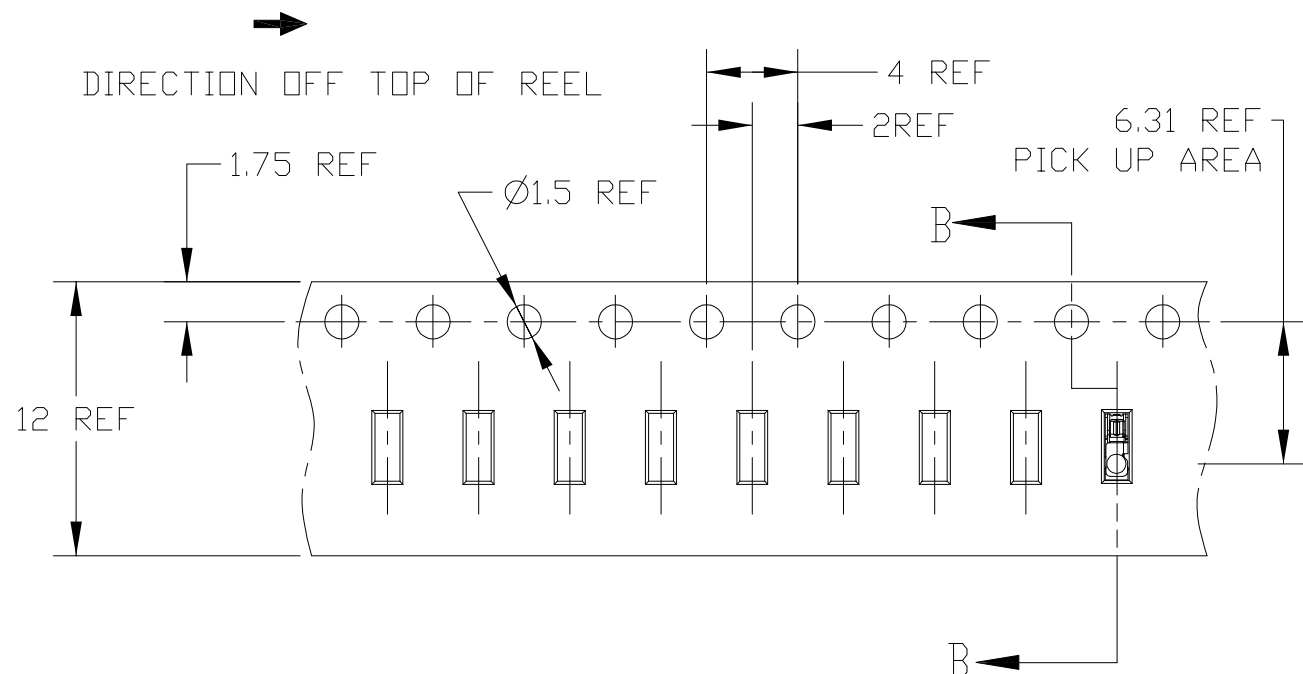


RECOMENDED PCB LAYOUT (REFERENCE)

THIS DRAWING IS A CONTROLLED DOCUMENT.		DWN JH GONG 08FEB2013		
DIMENSIONS: mm		CHK JH KIM 08FEB2013		
TOLERANCES UNLESS OTHERWISE SPECIFIED: ± 0.15		APVD JH KIM 08FEB2013	NAME	
0-PLC ± 1-PLC ±0.5 2-PLC ±0.13 3-PLC ±0.013 4-PLC ±0.0001 ANGLES ±		PRODUCT SPEC SEE TABLE ④	SPRING FINGER 1.4H	
MATERIAL ①		APPLICATION SPEC	SIZE	RESTRICTED TO
FINISH ②		WEIGHT -	CAGE CODE A300779	DRAWING NO C=C_2108610
		CUSTOMER DRAWING	SCALE 20:1	SHEET 1 OF 3 REV C2

P	LTR	DESCRIPTION	DATE	DWN	APVD
		SEE SHEET 1			

①④ <2108610-5 : MBV62562001>

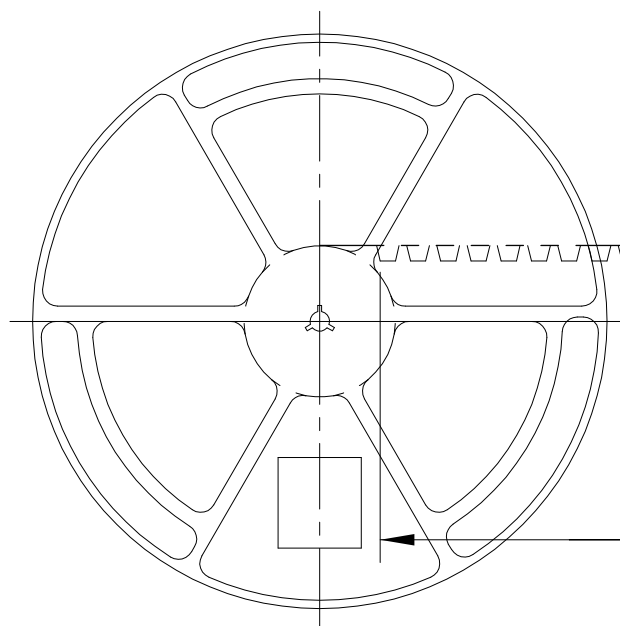
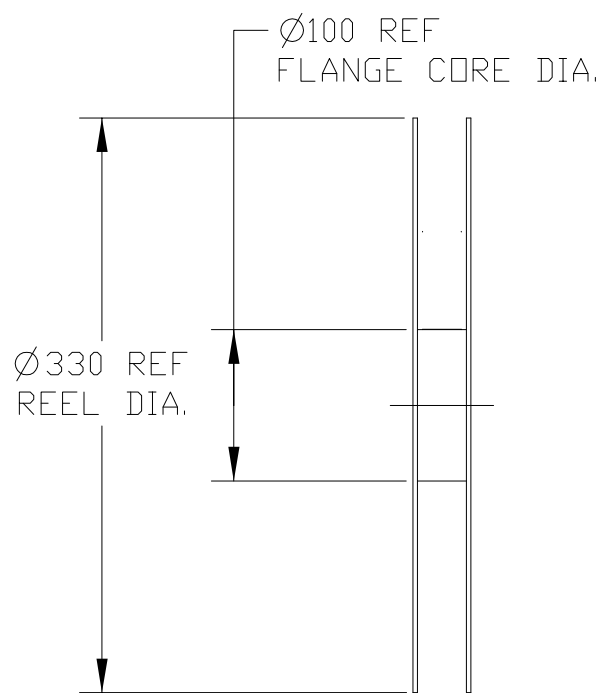


①

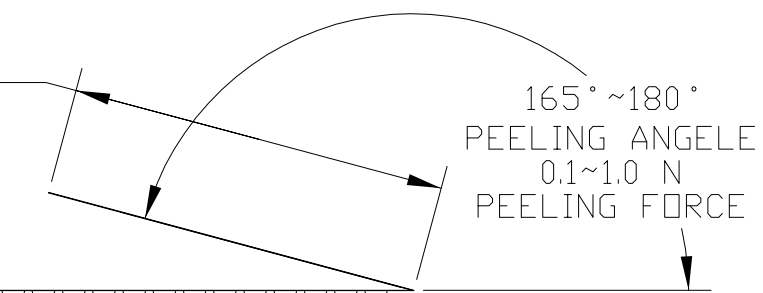
MBV62562001-YYYYMMDD-\*\*\*\*\*-HK000120  
 SPEC: 1.4H SPRING FINGER WITH EMBOSS  
 Company Name: TE CONNECTIVITY  
 Tyco Part Number :2108610-5

**RoHS H/F**

- 1. LG PART NO.
- 2. FINAL INSPECTION(YYYMMDD)
- 3. VENDOR PRODUCTION LOT NO.
- 4. VENDOR CODE



WEEDING THE COVER TAPE, AROUND THE OUTER PERIPHERY IN A TURN.



WITH PRODUCT CHARGE 9000EA/1REEL

WITHOUT CHARGE 400mm REF.

160mm REF WITHOUT CHARGE

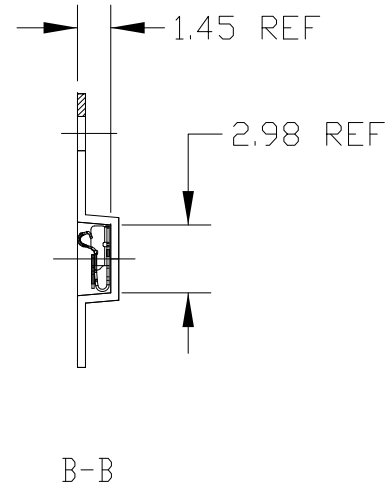
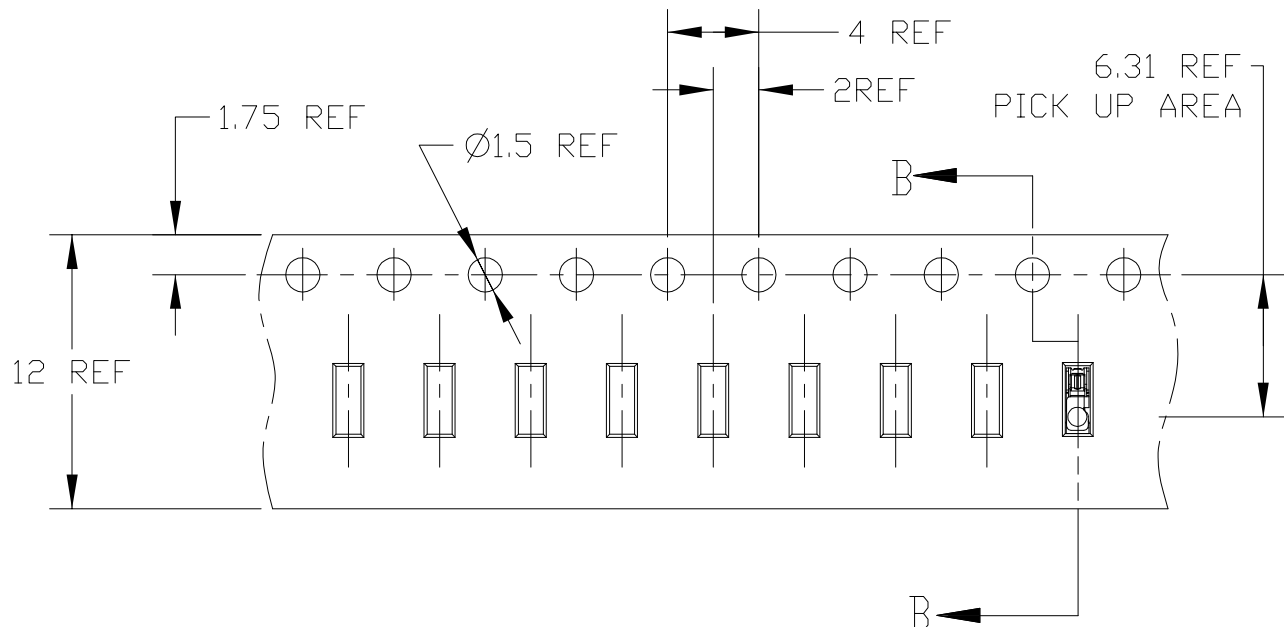
THIS DRAWING IS A CONTROLLED DOCUMENT.		DWN JH GONG 08FEB2013	TE Connectivity	
DIMENSIONS: mm		CHK JH KIM 08FEB2013		
TOLERANCES UNLESS OTHERWISE SPECIFIED:		APVD JH KIM 08FEB2013	NAME	
0 PLC ±	1 PLC ±0.5	PRODUCT SPEC	SPRING FINGER 1.4H	
2 PLC ±0.13	3 PLC ±0.013	108-XXXXX	SIZE	CAGE CODE
4 PLC ±0.0001	ANGLES ±	APPLICATION SPEC	A3	00779
MATERIAL -	FINISH -	WEIGHT -	DRAWING NO C=C_2108610	
CUSTOMER DRAWING			RESTRICTED TO	
SCALE 20:1			SHEET 2 OF 3	REV C2



P	LTR	DESCRIPTION	DATE	DWN	APVD
		SEE SHEET 1			

①④ <2108610-6 : EAG63652301>

DIRECTION OFF TOP OF REEL



①

100

**TE**

EAG63652301-YYYYMMDD-\*\*\*\*\*-HK000120

SPEC: 1.4H SPRING FINGER WITH EMBOSS

Company Name: TE CONNECTIVITY  
Tyco Part Number : 2108610-5

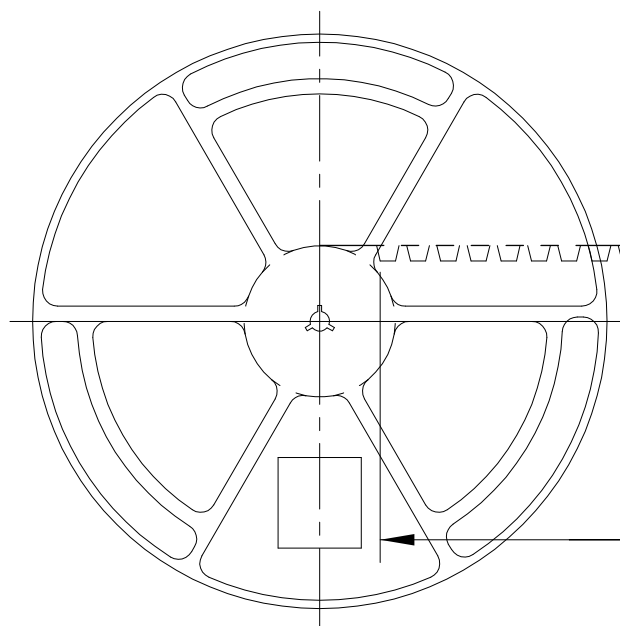
RoHS
H/F

70

- 1. LG PART NO.                      2. FINAL INSPECTION(YYYMMDD)
- 3. VENDOR PRODUCTION LOT NO.    4. VENDOR CODE

Ø100 REF  
FLANGE CORE DIA.

Ø330 REF  
REEL DIA.



WEEDING THE COVER TAPE,  
AROUND THE OUTER  
PERIPHERY IN  
A TURN.

165°~180°  
PEELING ANGLE  
0.1~1.0 N  
PEELING FORCE

WITH PRODUCT CHARGE  
9000EA/1REEL

WITHOUT CHARGE  
400mm REF.

160mm REF  
WITHOUT CHARGE

13.4 REF

19.4 REF  
REEL WIDTH

THIS DRAWING IS A CONTROLLED DOCUMENT.		DWN JH GONG 08FEB2013	<b>TE</b> TE Connectivity	
DIMENSIONS: mm		CHK JH KIM 08FEB2013	NAME	
TOLERANCES UNLESS OTHERWISE SPECIFIED: 0 PLC ±- 1 PLC ±0.5 2 PLC ±0.13 3 PLC ±0.013 4 PLC ±0.0001 ANGLES ±- FINISH -		APVD JH KIM 08FEB2013	SPRING FINGER 1.4H	
		PRODUCT SPEC 108-XXXXX	SIZE	CAGE CODE
MATERIAL -		APPLICATION SPEC -	DRAWING NO	RESTRICTED TO
		WEIGHT -	A300779	©=C_2108610
		CUSTOMER DRAWING	SCALE 20:1	SHEET 3 OF 3 REV C2