



Chipsmall Limited consists of a professional team with an average of over 10 year of expertise in the distribution of electronic components. Based in Hongkong, we have already established firm and mutual-benefit business relationships with customers from,Europe,America and south Asia,supplying obsolete and hard-to-find components to meet their specific needs.

With the principle of “Quality Parts,Customers Priority,Honest Operation,and Considerate Service”,our business mainly focus on the distribution of electronic components. Line cards we deal with include Microchip,ALPS,ROHM,Xilinx,Pulse,ON,Everlight and Freescale. Main products comprise IC,Modules,Potentiometer,IC Socket,Relay,Connector.Our parts cover such applications as commercial,industrial, and automotives areas.

We are looking forward to setting up business relationship with you and hope to provide you with the best service and solution. Let us make a better world for our industry!



## Contact us

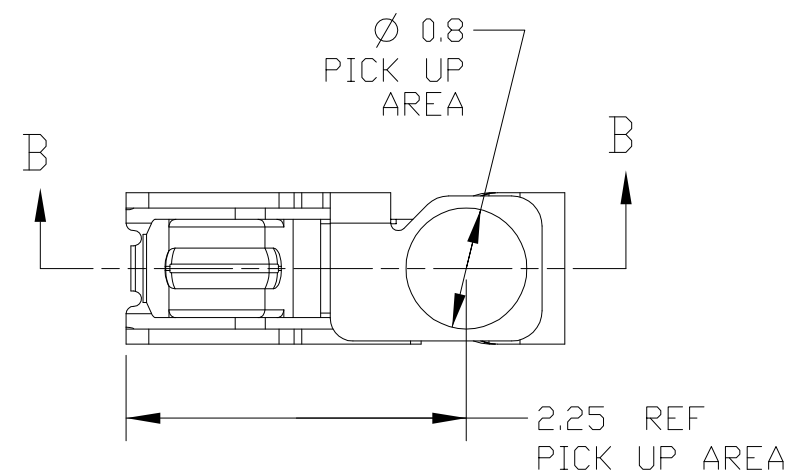
Tel: +86-755-8981 8866 Fax: +86-755-8427 6832

Email & Skype: info@chipsmall.com Web: www.chipsmall.com

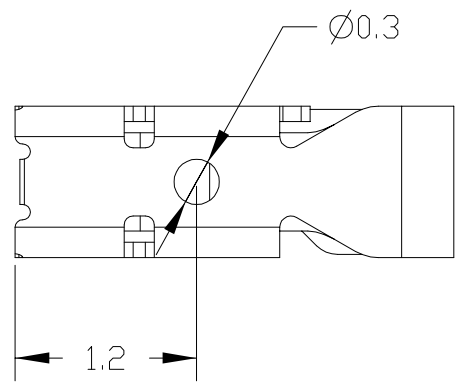
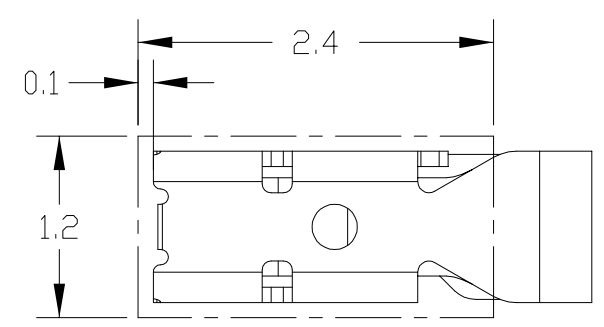
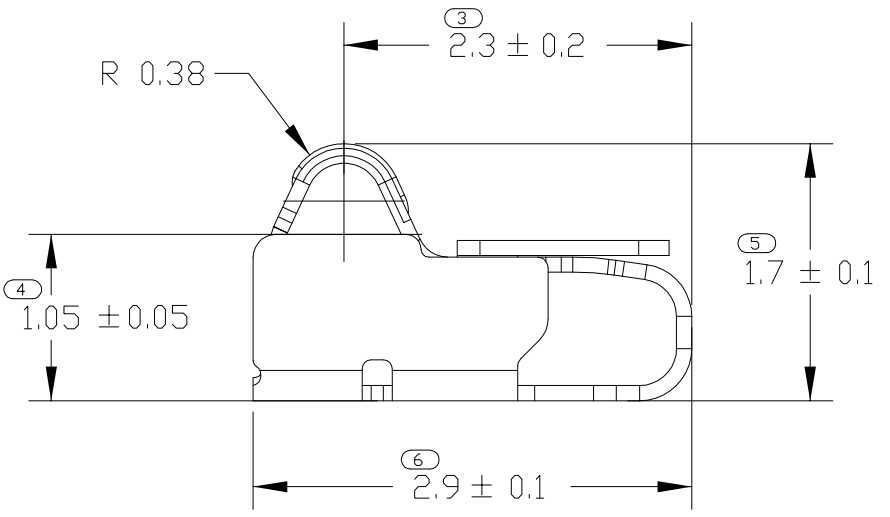
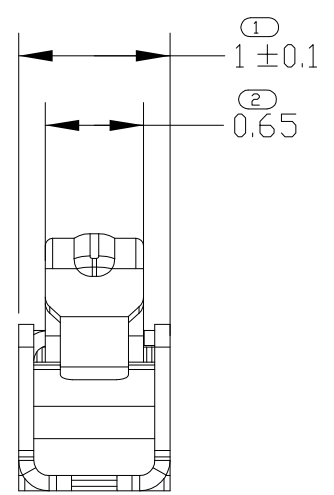
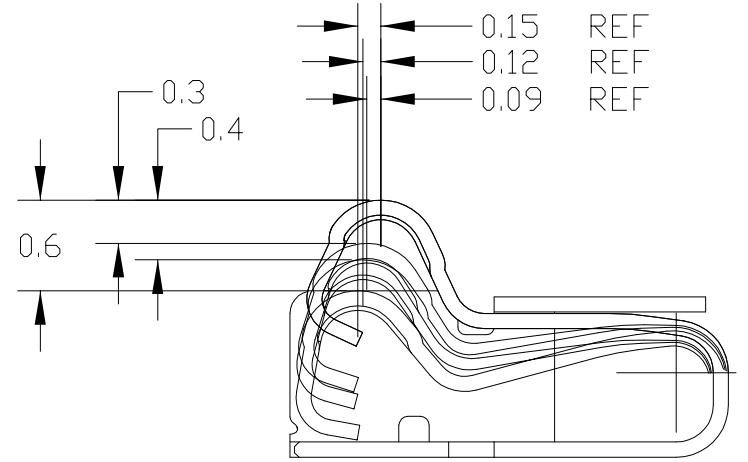
Address: A1208, Overseas Decoration Building, #122 Zhenhua RD., Futian, Shenzhen, China



LOC	DIST	REVISIONS					
		P	LTR	DESCRIPTION	DATE	DWN	APVD
-	-		B	REVISED	05JUNE2013	IC.K	JH.K
			C	REVISED	13JUNE2013	IC.K	JH.K
			C1	REVISED	25FEB2014	IC.K	JH.K
			C2	REVISED	05FEB2014	IC.K	JH.K



AS SHOWN  
 (C1) 2108611-5/6  
 (C2) 2-2108611-6



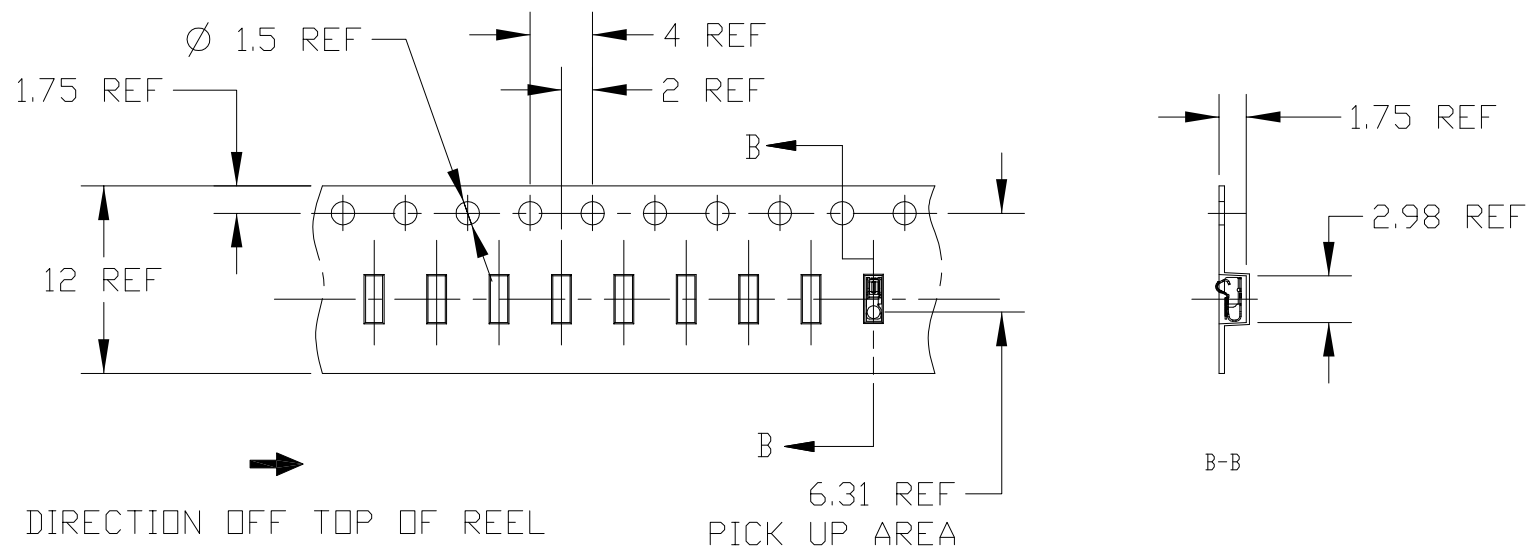
- 1 MATERIAL: COPPER ALLOY, THK.=0.1mm
- 2 FINISH: Ni UNDER PLATING ALL OVER 0.8~3.0um.  
 CONTACT PLATING: Au 0.1~0.4um  
 SOLDER PLATING: Au FLASH 0.05~0.35um
- 3 CUTTING BURR: 0.05mm MAX.
- (C1) 4 F/G SHOULD BE SEPARATED BASED ON THE CUSTOMER'S PART NUMBER AS BELOW TABLE

NO	PART NUMBER	CUSTOMER PART NUMBER	PRODUCT SPEC
1	2108611-5	MCE62632901	108-61186
2	2108611-6	EAG63652201	108-61186
(C2) 3	2-2108611-6	-	108-61251

THIS DRAWING IS A CONTROLLED DOCUMENT.		DWN IC KANG 05APR2013		
DIMENSIONS: mm		CHK JH KIM 05APR2013		
TOLERANCES UNLESS OTHERWISE SPECIFIED: $\pm 0.15$		APVD JH KIM 05APR2013	NAME	
0-PLC $\pm$ 1-PLC $\pm 0.5$ 2-PLC $\pm 0.13$ 3-PLC $\pm 0.013$ 4-PLC $\pm 0.0001$ ANGLES $\pm$		PRODUCT SPEC SEE TABLE 4	SPRING FINGER 1.7H	
MATERIAL -		APPLICATION SPEC -	SIZE A3	CAGE CODE 00779
FINISH -		WEIGHT -	DRAWING NO C-2108611	RESTRICTED TO -
CUSTOMER DRAWING			SCALE 20:1	SHEET 1 OF 3
			REV C2	

LOC	DIST	REVISIONS					
		P	LTR	DESCRIPTION	DATE	DWN	APVD
-	-			SEE SHEET 1			

① 4 <2108611-5 : FOR MCE62632901>

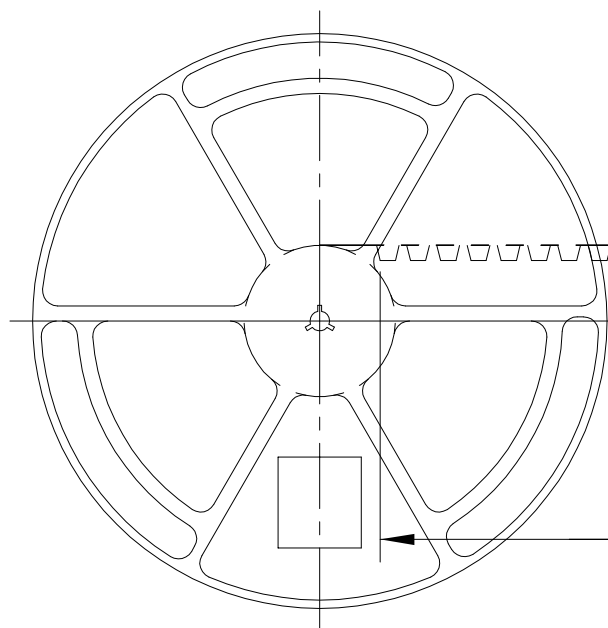
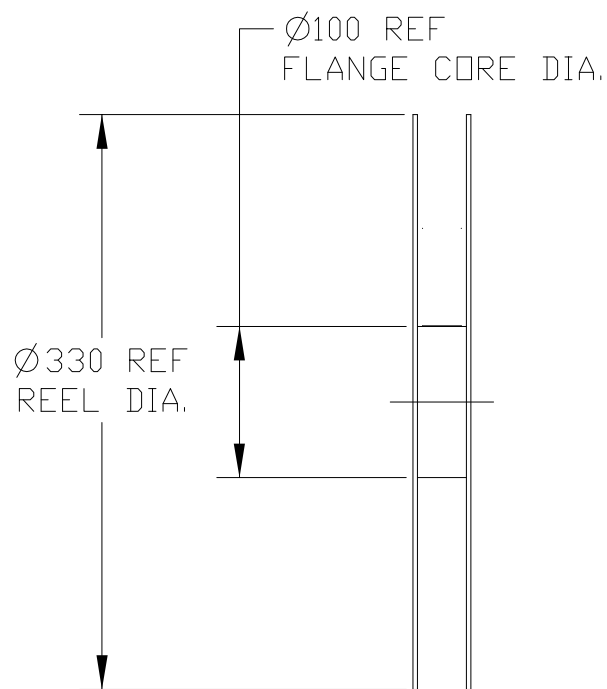


①

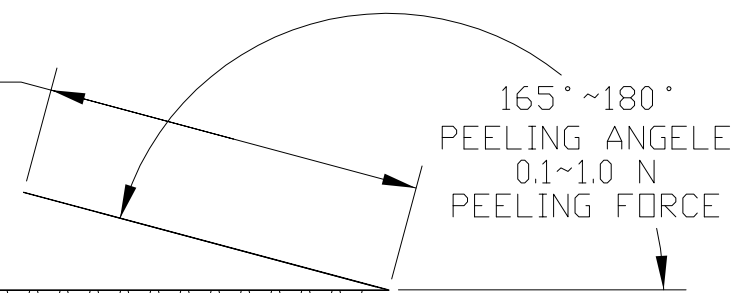
MCE62632901-YYYYMMDD-\*\*\*\*\*-HK000120  
 SPEC: 1.7H SPRING FINGER WITH EMBOSS  
 Company Name: TE CONNECTIVITY  
 Tyco Part Number : 2108611-5

**RoHS H/F**

- 1. LG PART NO.
- 2. FINAL INSPECTION(YYYMMDD)
- 3. VENDOR PRODUCTION LOT NO.
- 4. VENDOR CODE



WEEDING THE COVER TAPE, AROUND THE OUTER PERIPHERY IN A TURN.



WITH PRODUCT CHARGE 8000EA/REEL

WITHOUT CHARGE 400mm

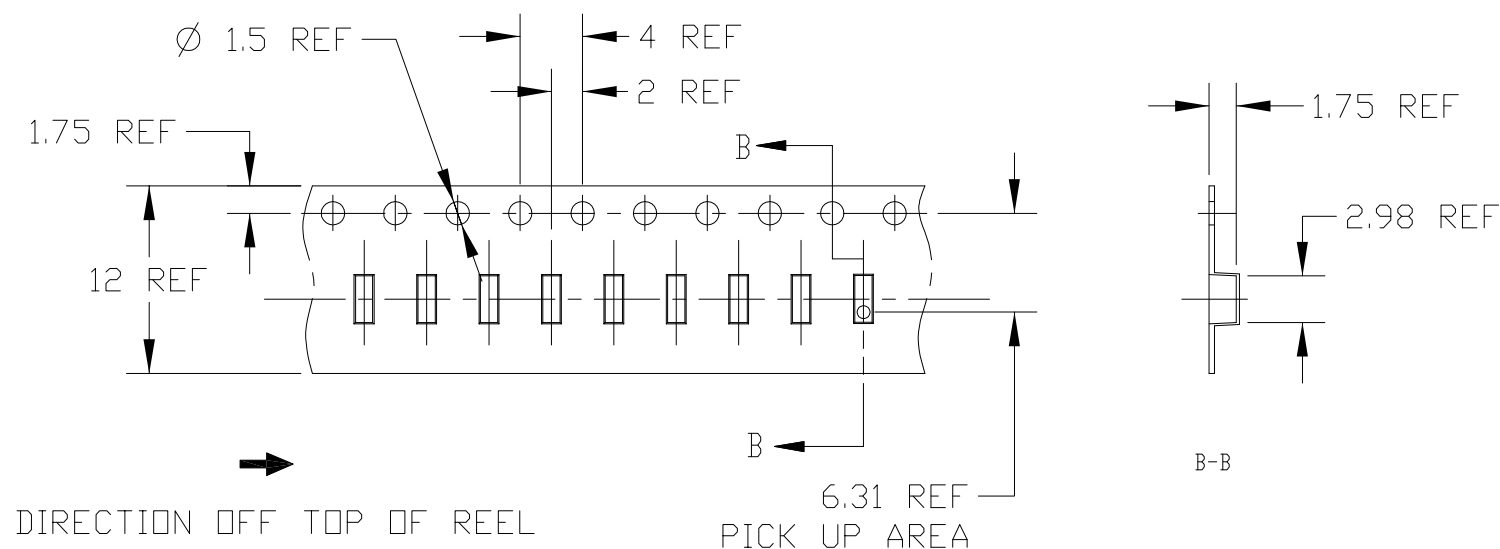
WITHOUT CHARGE 160mm

13.4 REF  
19.4 REF  
REEL WIDTH

THIS DRAWING IS A CONTROLLED DOCUMENT.		DWN IC KANG 05APR2013	TE Connectivity		
DIMENSIONS: mm		CHK JH KIM 08FEB2013			
TOLERANCES UNLESS OTHERWISE SPECIFIED: ±0.15		APVD JH KIM 08FEB2013	NAME SPRING FINGER 1.7H		
0-PLC ± 1-PLC ±0.5 2-PLC ±0.13 3-PLC ±0.013 4-PLC ±0.0001 ANGLES ± FINISH -		PRODUCT SPEC 108-XXXXX	SIZE A3	CAGE CODE 00779	DRAWING NO C=2108611
MATERIAL -		APPLICATION SPEC -	RESTRICTED TO -	SCALE 20:1	
		WEIGHT -	SHEET 2 OF 3		REV C2
		CUSTOMER DRAWING			

P	LTR	DESCRIPTION	DATE	DWN	APVD
		SEE SHEET 1			

# ① 4 <2108611-6 : FOR EAG63652201>

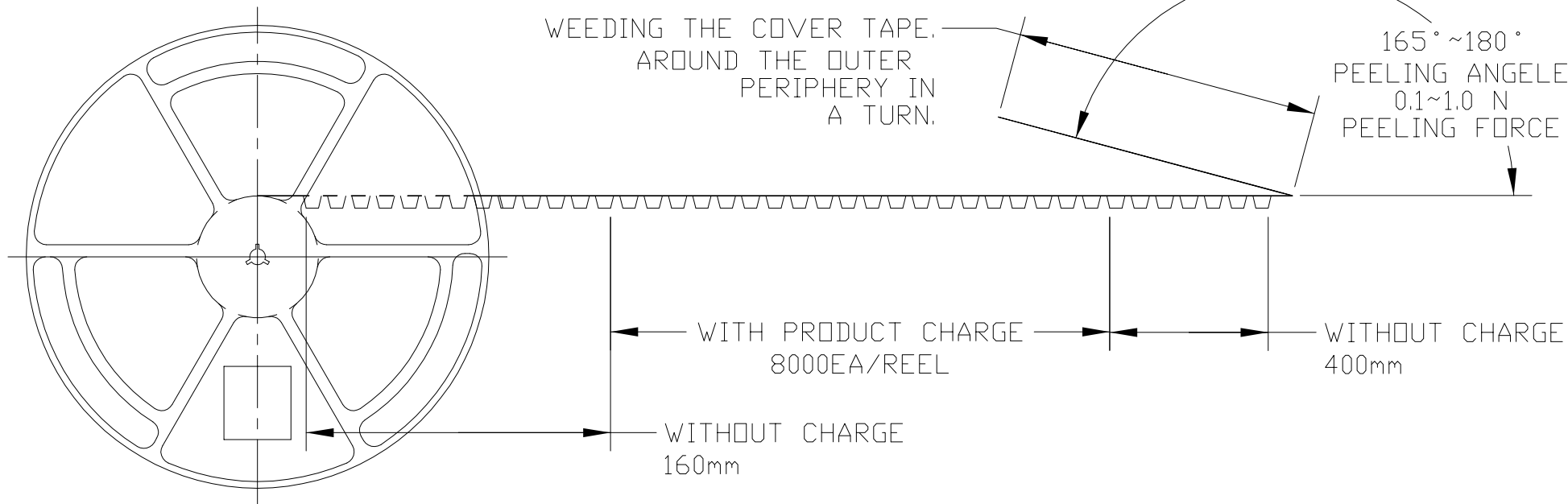
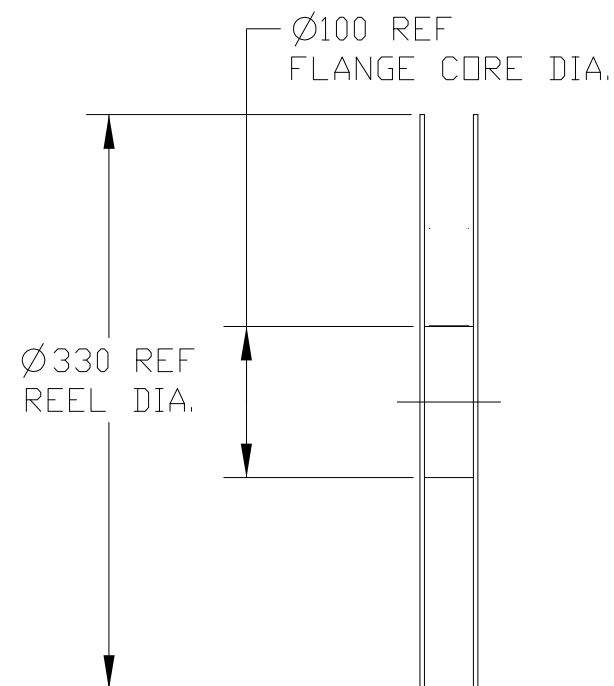


①

EAG63652201-YYYYMMDD-\*\*\*\*\*-HK000120  
 SPEC: ① 1.7H SPRING FINGER WITH ② EMBOSS ③  
 Company Name: TE CONNECTIVITY  
 Tyco Part Number : 2108611-5

**RoHS H/F**

- 1. LG PART NO.
- 2. FINAL INSPECTION(YYMMDD)
- 3. VENDOR PRODUCTION LOT NO.
- 4. VENDOR CODE



THIS DRAWING IS A CONTROLLED DOCUMENT.		DWN IC KANG 05APR2013	TE Connectivity	
DIMENSIONS: mm		CHK JH KIM 08FEB2013		
TOLERANCES UNLESS OTHERWISE SPECIFIED: ±0.15		APVD JH KIM 08FEB2013	NAME	
0-PLC ±		PRODUCT SPEC	SPRING FINGER 1.7H	
1-PLC ±0.5		108-XXXXX	SIZE	CAGE CODE
2-PLC ±0.13		APPLICATION SPEC	A3	00779
3-PLC ±0.013			DRAWING NO	RESTRICTED TO
4-PLC ±0.0001		WEIGHT	©=2108611	
ANGLES ±		CUSTOMER DRAWING	SCALE 20:1	SHEET 3 OF 3
FINISH			REV C2	