



Chipsmall Limited consists of a professional team with an average of over 10 year of expertise in the distribution of electronic components. Based in Hongkong, we have already established firm and mutual-benefit business relationships with customers from,Europe,America and south Asia,supplying obsolete and hard-to-find components to meet their specific needs.

With the principle of “Quality Parts,Customers Priority,Honest Operation,and Considerate Service”,our business mainly focus on the distribution of electronic components. Line cards we deal with include Microchip,ALPS,ROHM,Xilinx,Pulse,ON,Everlight and Freescale. Main products comprise IC,Modules,Potentiometer,IC Socket,Relay,Connector.Our parts cover such applications as commercial,industrial, and automotives areas.

We are looking forward to setting up business relationship with you and hope to provide you with the best service and solution. Let us make a better world for our industry!



Contact us

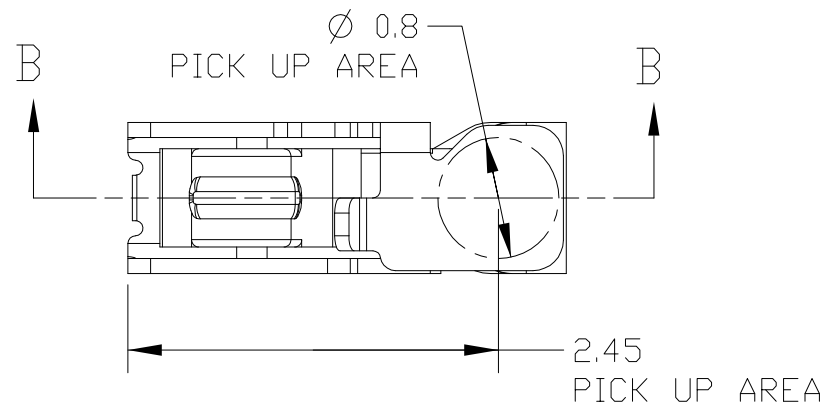
Tel: +86-755-8981 8866 Fax: +86-755-8427 6832

Email & Skype: info@chipsmall.com Web: www.chipsmall.com

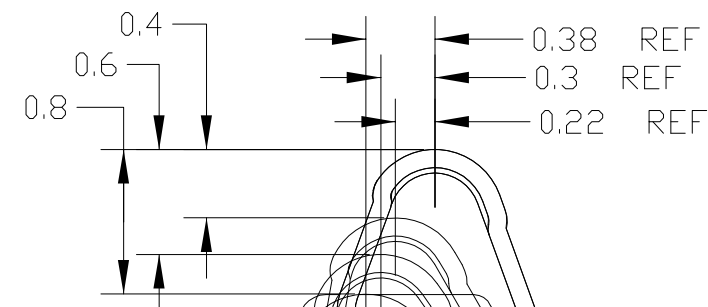
Address: A1208, Overseas Decoration Building, #122 Zhenhua RD., Futian, Shenzhen, China



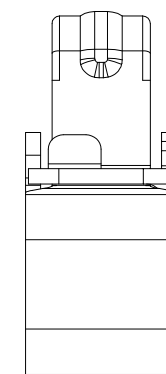
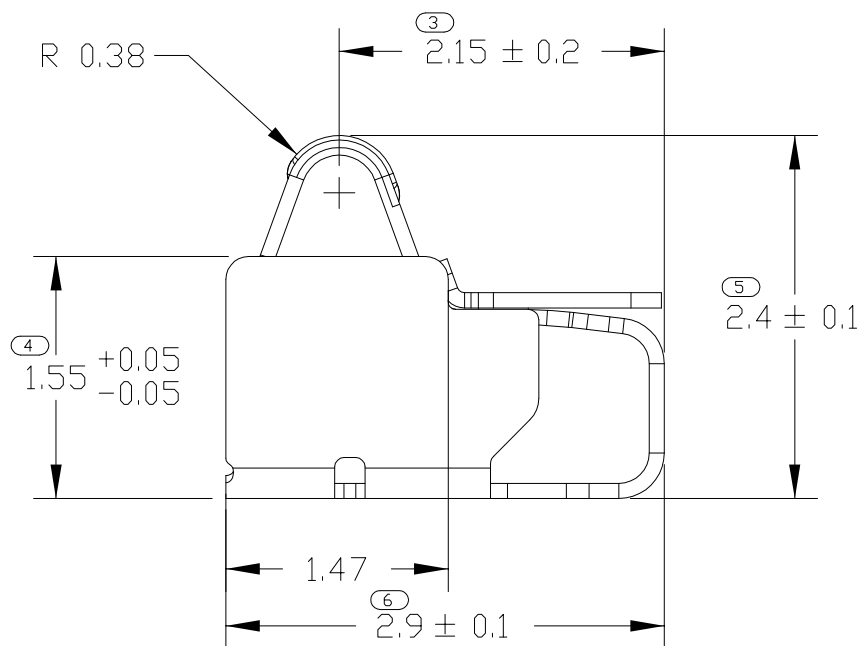
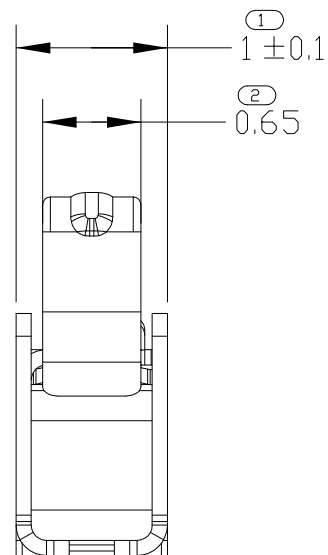
P	LTR	DESCRIPTION	DATE	DWN	APVD
	A	RELEASED	16MAY2013	IC.K	JH.K
	B	REVISED	03JUNE2013	IC.K	JH.K
	C	REVISED	10JUNE2013	IC.K	JH.K
	C1	REVISED	25FEB2014	IC.K	JH.K



AS SHOWN
 ① 2108613-5/6
 ② 2-2108613-6

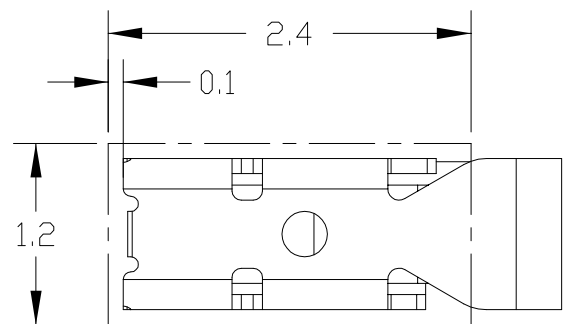


SECTION B-B
 STROKE CONDITION(REFERENCE)

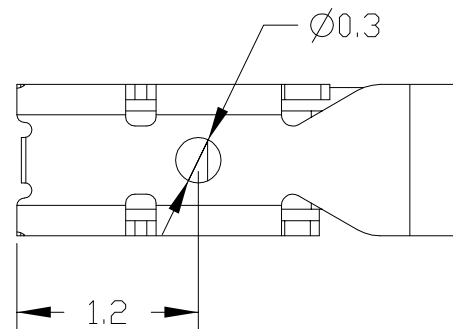


- ① MATERIAL: TICU(COPPER ALLOY), THK.= 0.1
- ② FINISH: Ni UNDER PLATING ALL OVER 0.8~3.0um
 CONTACT PLATING: Au 0.1~0.4um
 SOLDER PLATING: Au 0.05~0.35um
- ③ CUTTING BURR: 0.05mm MAX.
- ④ F/G SHOULD BE SAPERATED BASED ON THE CUSTOMER'S PART NUMBER AS BELOW TABLE

NO	PART NUMBER	CUSTOMER PART NUMBER	PRODUCT SPEC
1	2108613-5	MBV62561601	108-61188
2	2108613-6	EAG63652101	
3	2-2108613-6	-	108-61253



RECOMENDED PCB LAYOUT
 (REFERENCE)

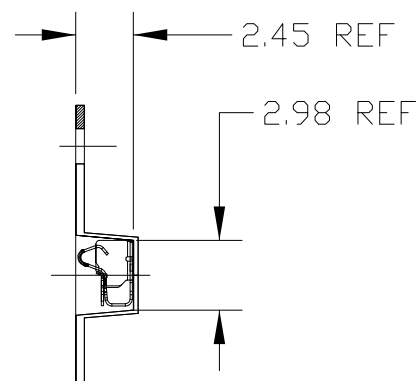
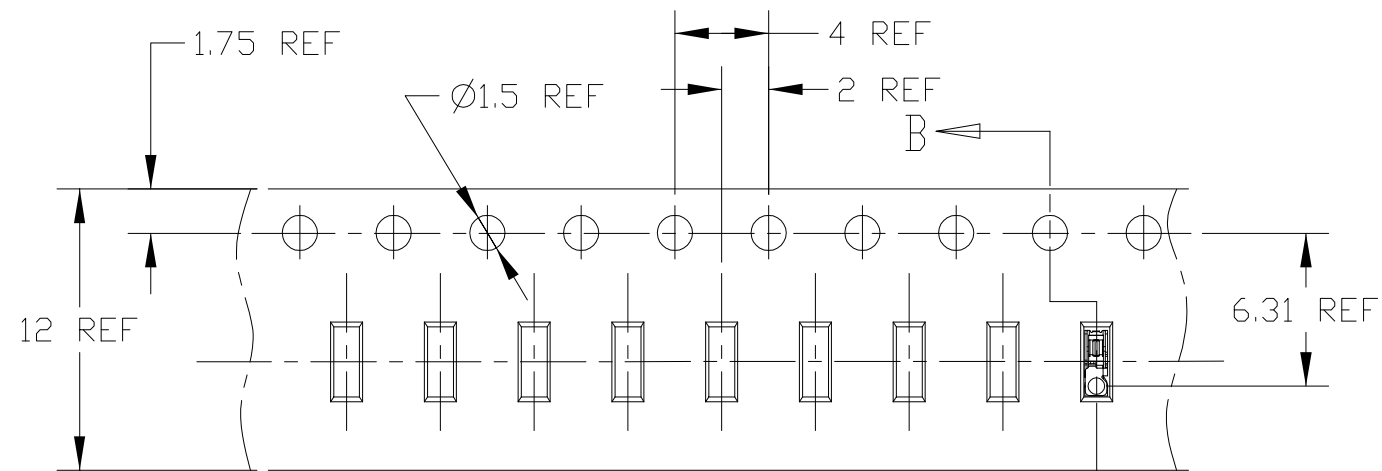


THIS DRAWING IS A CONTROLLED DOCUMENT.

DIMENSIONS: mm	TOLERANCES UNLESS OTHERWISE SPECIFIED: ±0.15	DWN	JH GONG	08FEB2013
		CHK	JH KIM	08FEB2013
	0-PLC ± 1-PLC ±0.5 2-PLC ±0.13 3-PLC ±0.013 4-PLC ±0.0001 ANGLES ±	APVD	JH KIM	08FEB2013
		PRODUCT SPEC	SEE TABLE ④	
MATERIAL	FINISH	APPLICATION SPEC	NAME	
①	②	-	TE Connectivity	
		WEIGHT	SIZE	CAGE CODE
		-	A3	00779
		CUSTOMER DRAWING	DRAWING NO	RESTRICTED TO
		-	©=2108613	-
		SCALE	SHEET	REV
		20:1	1 OF 3	C2

P	LTR	DESCRIPTION	DATE	DWN	APVD
		SEE SHEET 1			


①4<2108613-5 : FOR MBV62561601>



DIRECTION OFF TOP OF REEL

SECTION B-B

TE



MBV62561601-YYYYMMDD-*****-HK000120

SPEC: 2.4H SPRING FINGER WITH EMBOSS

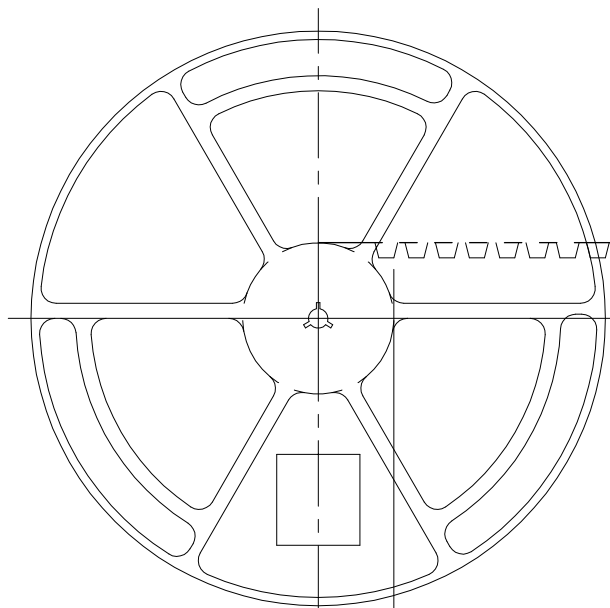
Company Name: TE CONNECTIVITY
Tyco Part Number : 2108613-5

RoHS
H/F

- 1. LG PART NO.
- 2. FINAL INSPECTION(YYYMMDD)
- 3. VENDOR PRODUCTION LOT NO.
- 4. VENDOR CODE

Ø100 REF
FLANGE CORE DIA.

Ø330 REF
REEL DIA.



WEEDING THE COVER TAPE.
AROUND THE OUTER
PERIPHERY IN
A TURN



165°~180°
PEELING ANGLE
0.1~1.0N
PEELING FORCE

WITH PRODUCT CHARGE
6000EA/1REEL

WITHOUT CHARGE
400mm REF.

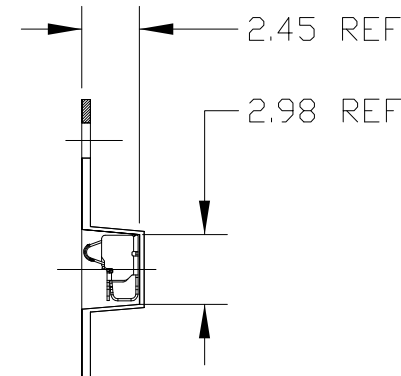
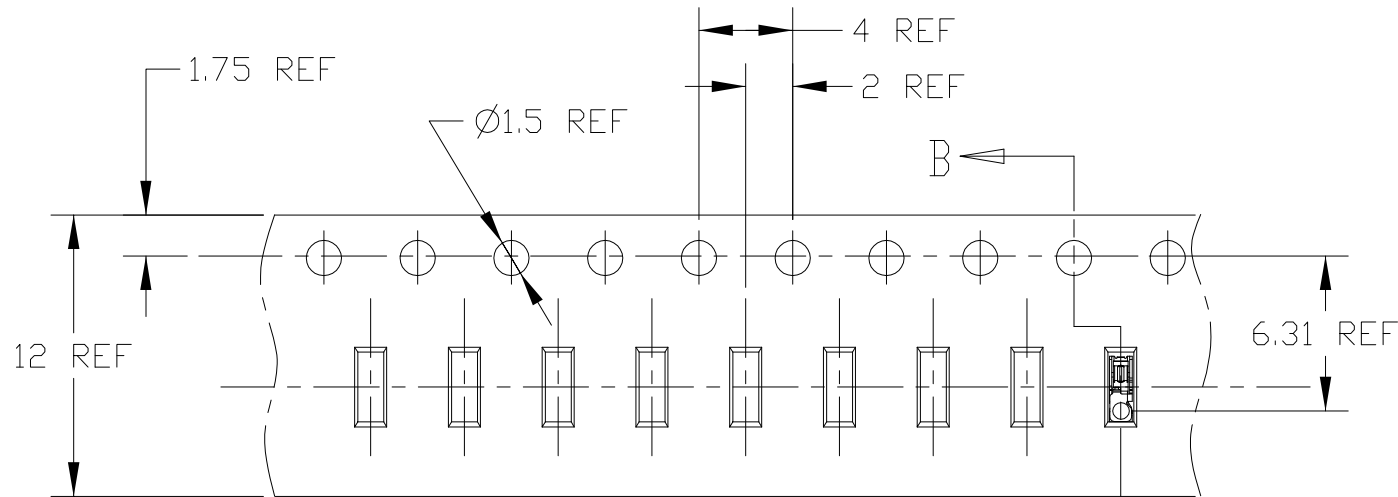
160mm REF
WITHOUT CHARGE

13.4
19.4
REEL WIDTH

THIS DRAWING IS A CONTROLLED DOCUMENT.		DWN JH GONG 08FEB2013		 TE Connectivity	
		CHK JH KIM 08FEB2013			
		APVD JH KIM 08FEB2013		NAME	
DIMENSIONS: mm		TOLERANCES UNLESS OTHERWISE SPECIFIED: ±0.15		SPRING FINGER 2.4H	
		0-PLC ± 1-PLC ±0.5 2-PLC ±0.13 3-PLC ±0.013 4-PLC ±0.0001 ANGLES ± FINISH -		PRODUCT SPEC	
MATERIAL -		108-XXXXX		APPLICATION SPEC	
		WEIGHT -		SIZE	
		CUSTOMER DRAWING		CAGE CODE	
		SCALE 20:1		DRAWING NO	
		SHEET 2 OF 3		RESTRICTED TO	
		REV C2		A300779 ©=2108613	

P	LTR	DESCRIPTION	DATE	DWN	APVD
		SEE SHEET 1			

① 4 <2108613-6 : FOR EAG63652101>



DIRECTION OFF TOP OF REEL

SECTION B-B

①

STE

EAG63652101-YYYYMMDD-*****-HK000120

SPEC: 2.4H SPRING FINGER WITH EMBOSS

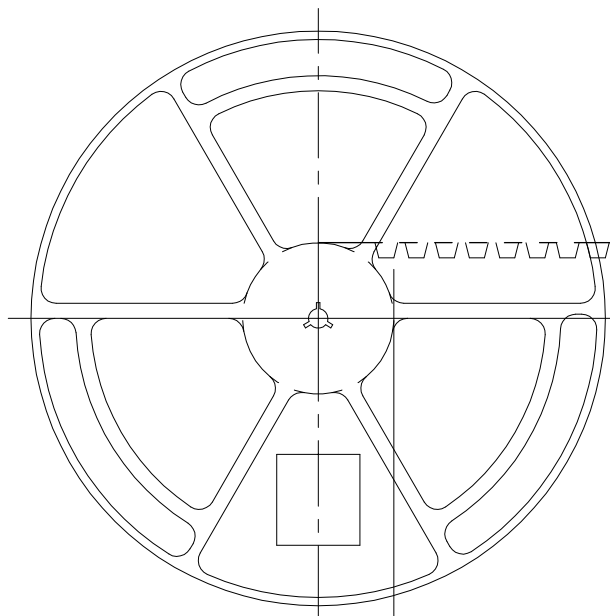
Company Name: TE CONNECTIVITY
Tyco Part Number : 2108613-5

RoHS
H/F

- 1. LG PART NO.
- 2. FINAL INSPECTION(YYYMMDD)
- 3. VENDOR PRODUCTION LOT NO.
- 4. VENDOR CODE

Ø100 REF
FLANGE CORE DIA.

Ø330 REF
REEL DIA.



WEEDING THE COVER TAPE.
AROUND THE OUTER
PERIPHERY IN
A TURN

165°~180°
PEELING ANGLE
0.1~1.0N
PEELING FORCE

WITH PRODUCT CHARGE
6000EA/1REEL

WITHOUT CHARGE
400mm REF.

160mm REF
WITHOUT CHARGE

13.4
19.4
REEL WIDTH

THIS DRAWING IS A CONTROLLED DOCUMENT.		DWN JH GONG 08FEB2013	STE TE Connectivity			
		CHK JH KIM 08FEB2013				
		APVD JH KIM 08FEB2013	NAME			
		PRODUCT SPEC 108-XXXXX	SPRING FINGER 2.4H			
		APPLICATION SPEC	SIZE	CAGE CODE	DRAWING NO	RESTRICTED TO
		WEIGHT	A3	00779	C-2108613	-
		CUSTOMER DRAWING	SCALE	SHEET	OF	REV
			20:1	3	3	C2