



Chipsmall Limited consists of a professional team with an average of over 10 year of expertise in the distribution of electronic components. Based in Hongkong, we have already established firm and mutual-benefit business relationships with customers from,Europe,America and south Asia,supplying obsolete and hard-to-find components to meet their specific needs.

With the principle of “Quality Parts,Customers Priority,Honest Operation,and Considerate Service”,our business mainly focus on the distribution of electronic components. Line cards we deal with include Microchip,ALPS,ROHM,Xilinx,Pulse,ON,Everlight and Freescale. Main products comprise IC,Modules,Potentiometer,IC Socket,Relay,Connector.Our parts cover such applications as commercial,industrial, and automotives areas.

We are looking forward to setting up business relationship with you and hope to provide you with the best service and solution. Let us make a better world for our industry!



Contact us

Tel: +86-755-8981 8866 Fax: +86-755-8427 6832

Email & Skype: info@chipsmall.com Web: www.chipsmall.com

Address: A1208, Overseas Decoration Building, #122 Zhenhua RD., Futian, Shenzhen, China

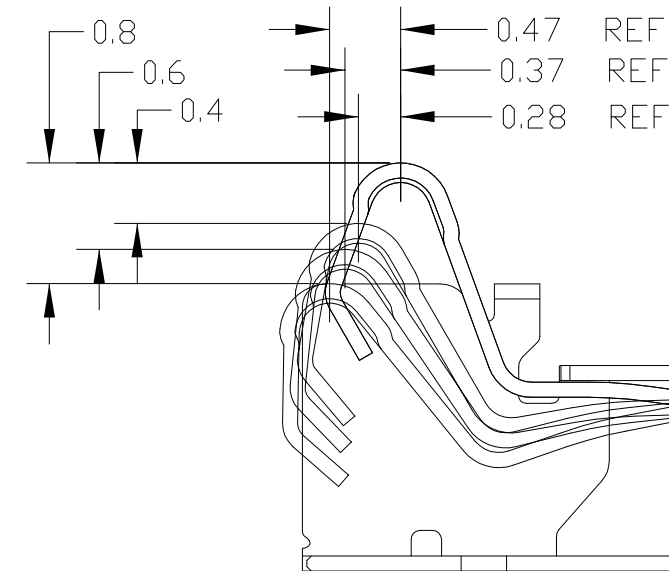


P	LTR	DESCRIPTION	DATE	DWN	APVD
	B	REVISED	05JUNE2013	IC.K	JH.K
	C	REVISED	13JUNE2013	IC.K	JH.K
	C1	REVISED	19JAN2015	IC.K	JH.K
	C2	REVISED	06FEB2015	IC.K	JH.K

AS SHOWN

2108614-5

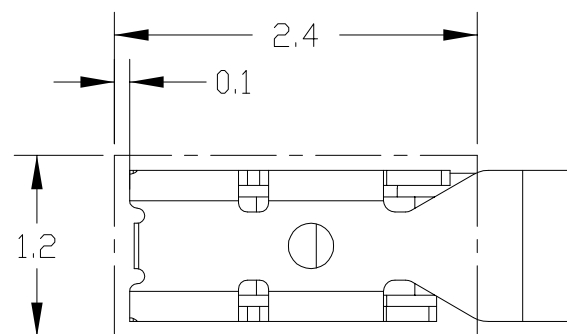
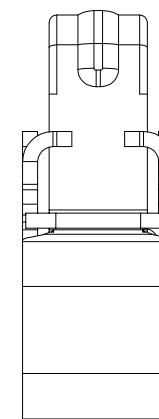
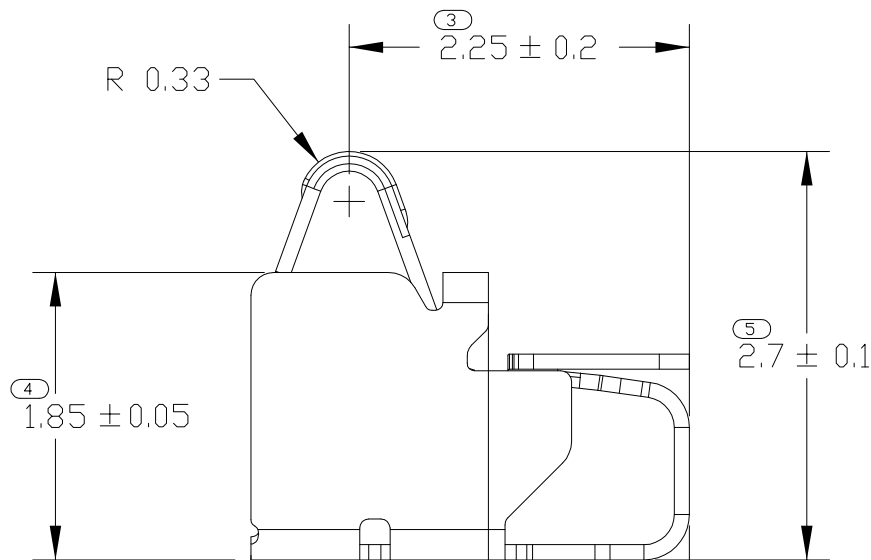
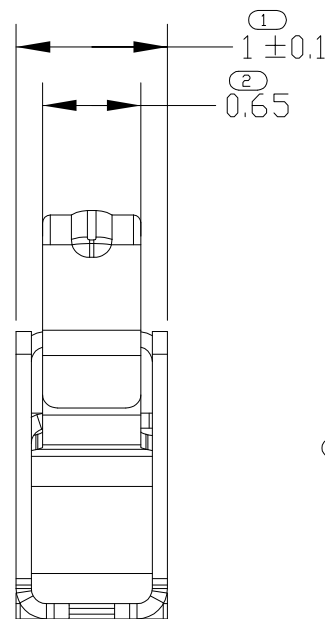
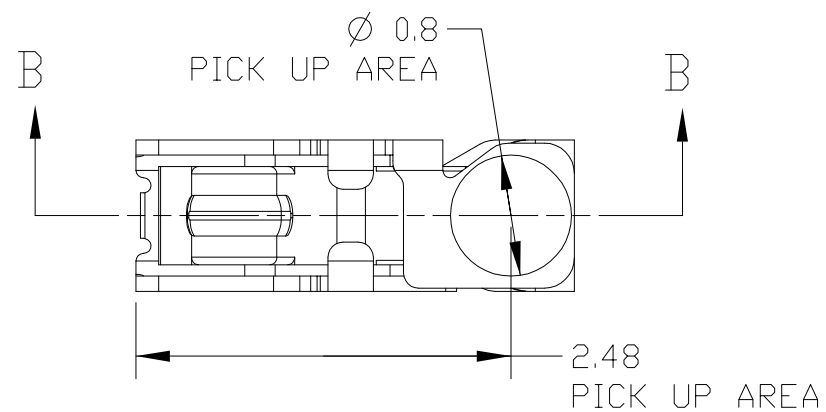
② 2-2108614-6



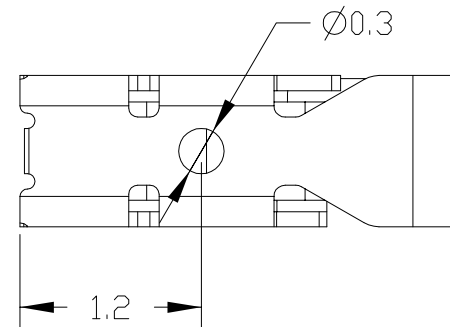
SECTION B-B
STROKE CONDITION(REFERENCE)

- ① MATERIAL: COPPER ALLOY, THK.=0.1mm
- ② FINISH: NI UNDER PLATING ALL OVER 0.8~3.0um
CONTACT PLATING: Au 0.1~0.4um
SOLDER PLATING: Au FLASH 0.05~0.35um
- ③ CUTTING BURR: 0.05mm MAX.
- ④ PRODUCT SPEC

NO	PART NUMBER	PRODUCT SPEC
1	2108614-5	108-61189
② 2	2-2108614-6	108-61254

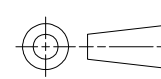


RECOMENDED PCB LAYOUT
(REFERENCE)



THIS DRAWING IS A CONTROLLED DOCUMENT.

DIMENSIONS:
mm



TOLERANCES UNLESS OTHERWISE SPECIFIED:
±0.15

- Ø-PLC ±
- 1-PLC ±0.5
- 2-PLC ±0.13
- 3-PLC ±0.013
- 4-PLC ±0.0001
- ANGLES ±
- FINISH -

MATERIAL -

DWN JH GONG 08FEB2013
 CHK JH KIM 08FEB2013
 APVD JH KIM 08FEB2013
 PRODUCT SPEC

SEE TABLE 4

APPLICATION SPEC

WEIGHT -

CUSTOMER DRAWING

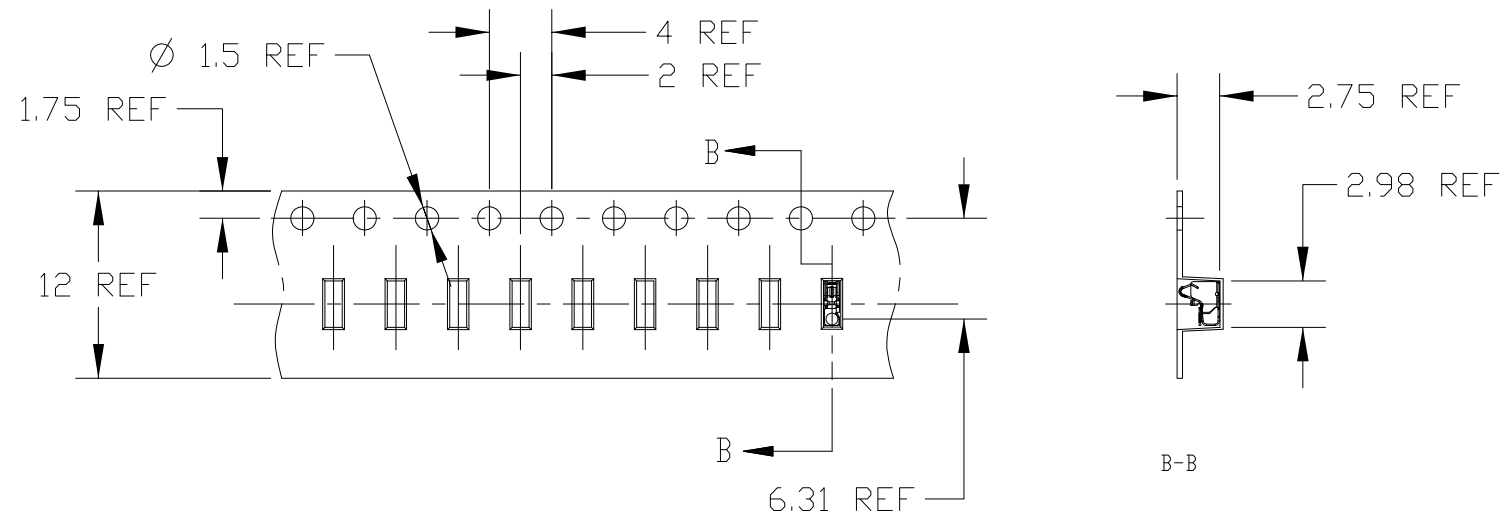


SPRING FINGER 2.7H



SIZE	CAGE CODE	DRAWING NO	RESTRICTED TO
A3	00779	©=2108614	-

SCALE 20:1 SHEET 1 OF 2 REV C2

P	LTR	DESCRIPTION	DATE	DWN	APVD
		SEE SHEET 1			



DIRECTION OFF TOP OF REEL

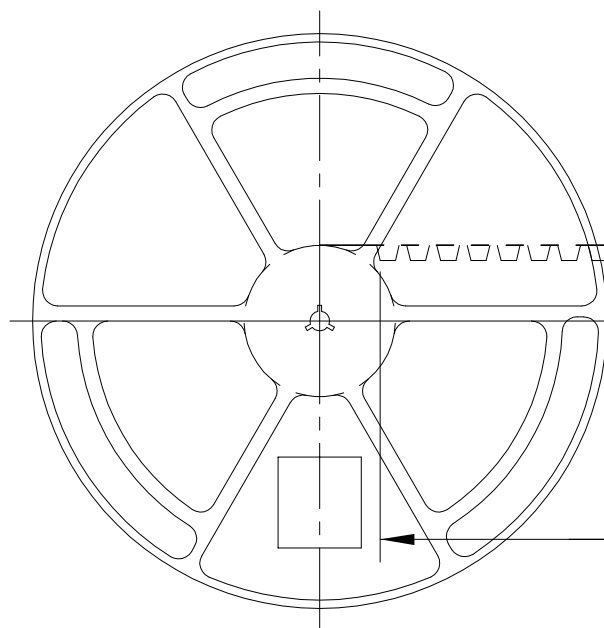
EAG63652001-YYYYMMDD-*****-HK000120
 SPEC: 2.7H SPRING FINGER WITH EMBOSS
 Company Name: TE CONNECTIVITY
 Tyco Part Number : 2108614-5

RoHS
H/F

1. LG PART NO.
2. FINAL INSPECTION (YYMMDD)
3. VENDOR PRODUCTION LOT NO.
4. VENDOR CODE

Ø100 REF FLANGE CORE DIA.

Ø330 REF REEL DIA.



WEEDING THE COVER TAPE, AROUND THE OUTER PERIPHERY IN A TURN.


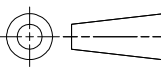
165°~180° PEELING ANGLE
0.1~1.0 N PEELING FORCE

WITH PRODUCT CHARGE
5500EA/REEL

WITHOUT CHARGE
400mm REF

WITHOUT CHARGE
160mm REF

13.4 REF
19.4 REF
REEL WIDTH

THIS DRAWING IS A CONTROLLED DOCUMENT.		DWN JH GONG 08FEB2013		 TE Connectivity				
		CHK JH KIM 08FEB2013						
DIMENSIONS: mm 		TOLERANCES UNLESS OTHERWISE SPECIFIED: ±0.15		NAME				
		0-PLC ± 1-PLC ±0.5 2-PLC ±0.13 3-PLC ±0.013 4-PLC ±0.0001 ANGLES ± FINISH -		APVD JH KIM 08FEB2013		SPRING FINGER 2.7H		
MATERIAL -		PRODUCT SPEC 108-XXXXX		SIZE	CAGE CODE			DRAWING NO
		APPLICATION SPEC -		A3	00779	©=2108614	-	
		WEIGHT -		CUSTOMER DRAWING		SCALE 20:1	SHEET 2 OF 2	REV C2