



Chipsmall Limited consists of a professional team with an average of over 10 year of expertise in the distribution of electronic components. Based in Hongkong, we have already established firm and mutual-benefit business relationships with customers from,Europe,America and south Asia,supplying obsolete and hard-to-find components to meet their specific needs.

With the principle of "Quality Parts,Customers Priority,Honest Operation,and Considerate Service",our business mainly focus on the distribution of electronic components. Line cards we deal with include Microchip,ALPS,ROHM,Xilinx,Pulse,ON,Everlight and Freescale. Main products comprise IC,Modules,Potentiometer,IC Socket,Relay,Connector.Our parts cover such applications as commercial,industrial, and automotives areas.

We are looking forward to setting up business relationship with you and hope to provide you with the best service and solution. Let us make a better world for our industry!



## Contact us

Tel: +86-755-8981 8866 Fax: +86-755-8427 6832

Email & Skype: info@chipsmall.com Web: www.chipsmall.com

Address: A1208, Overseas Decoration Building, #122 Zhenhua RD., Futian, Shenzhen, China



4

3

2

1

THIS DRAWING IS UNPUBLISHED.

RELEASED FOR PUBLICATION

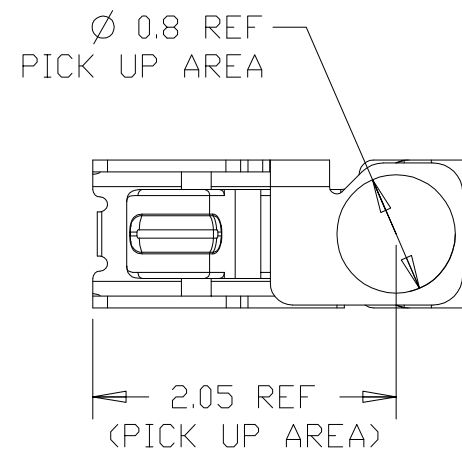
20

© COPYRIGHT 20 BY -

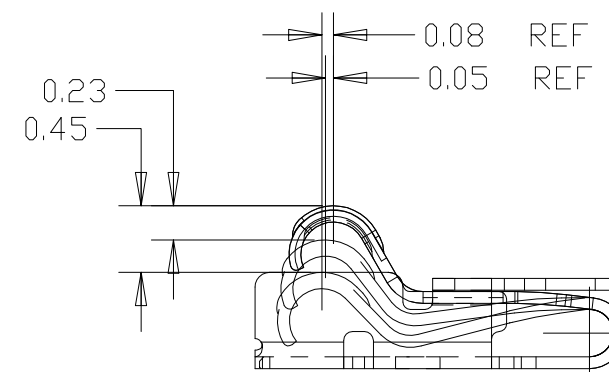
ALL RIGHTS RESERVED.

REVISIONS

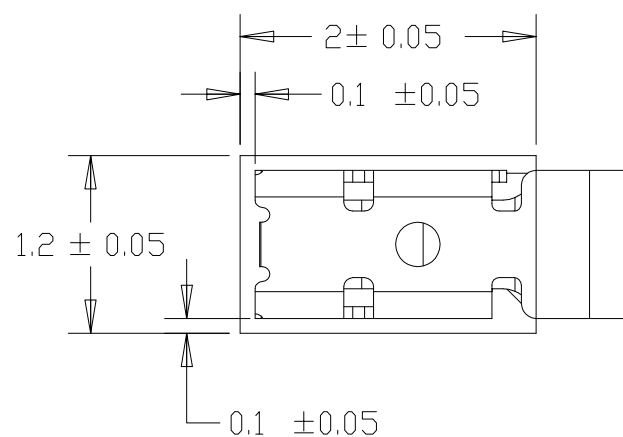
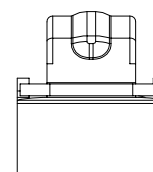
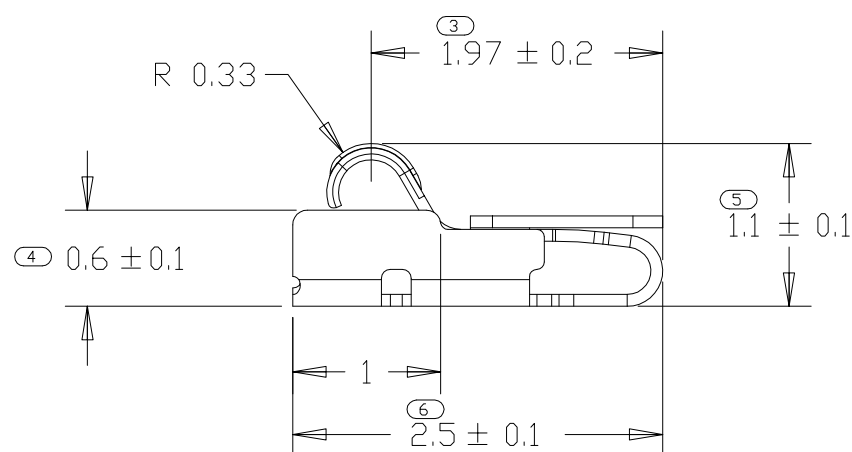
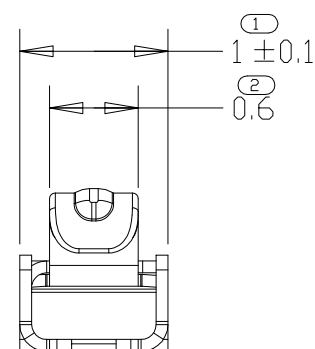
P	LTR	DESCRIPTION	DATE	DWN	APVD
	A	RELEASED	14AUG2013	IC.K	JH.K
	B	REVISED	28OCT2013	IC.K	JH.K
	C	REVISED	30OCT2013	IC.K	JH.K
	D	REVISED	12NOV2013	IC.K	JH.K



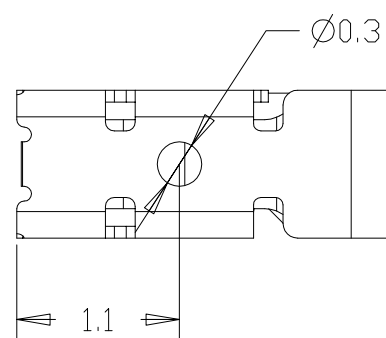
AS SHOWN 2108693-4



STROKE CONDITION (REFERENCE)



RECOMMENDED PCB LAYOUT (REFERENCE)



- 1 MATERIAL: COPPER ALLOY, THK.=0.08mm
- 2 FINISH: Ni UNDER PLATING ALL OVER 0.8~3.0um.  
CONTACT PLATING: Au 0.1~0.4um  
SOLDER PLATING: Au FLASH 0.05~0.35um
- 3. CUTTING BURR: 0.05mm MAX.

THIS DRAWING IS A CONTROLLED DOCUMENT.		DWN IC KANG	14AUG2013	<b>STE</b> TE Connectivity	
		CHK JH KIM	14AUG2013		
DIMENSIONS: mm		APVD JH KIM	14AUG2013	NAME	
		TOLERANCES UNLESS OTHERWISE SPECIFIED: ± 0.15		PRODUCT SPEC	
		0-PLC ± 1-PLC ±0.5 2-PLC ±0.13 3-PLC ±0.013 4-PLC ±0.0001 ANGLES ±		108-61201	
MATERIAL		FINISH		APPLICATION SPEC	
1		2		-	
		WEIGHT		SIZE	RESTRICTED TO
		0.0047		A3	-
CUSTOMER DRAWING		SCALE		CAGE CODE	DRAWING NO
		20:1		00779	©=2108693
		SHEET		OF	REV
		1		2	D

THIS DRAWING IS UNPUBLISHED.

RELEASED FOR PUBLICATION

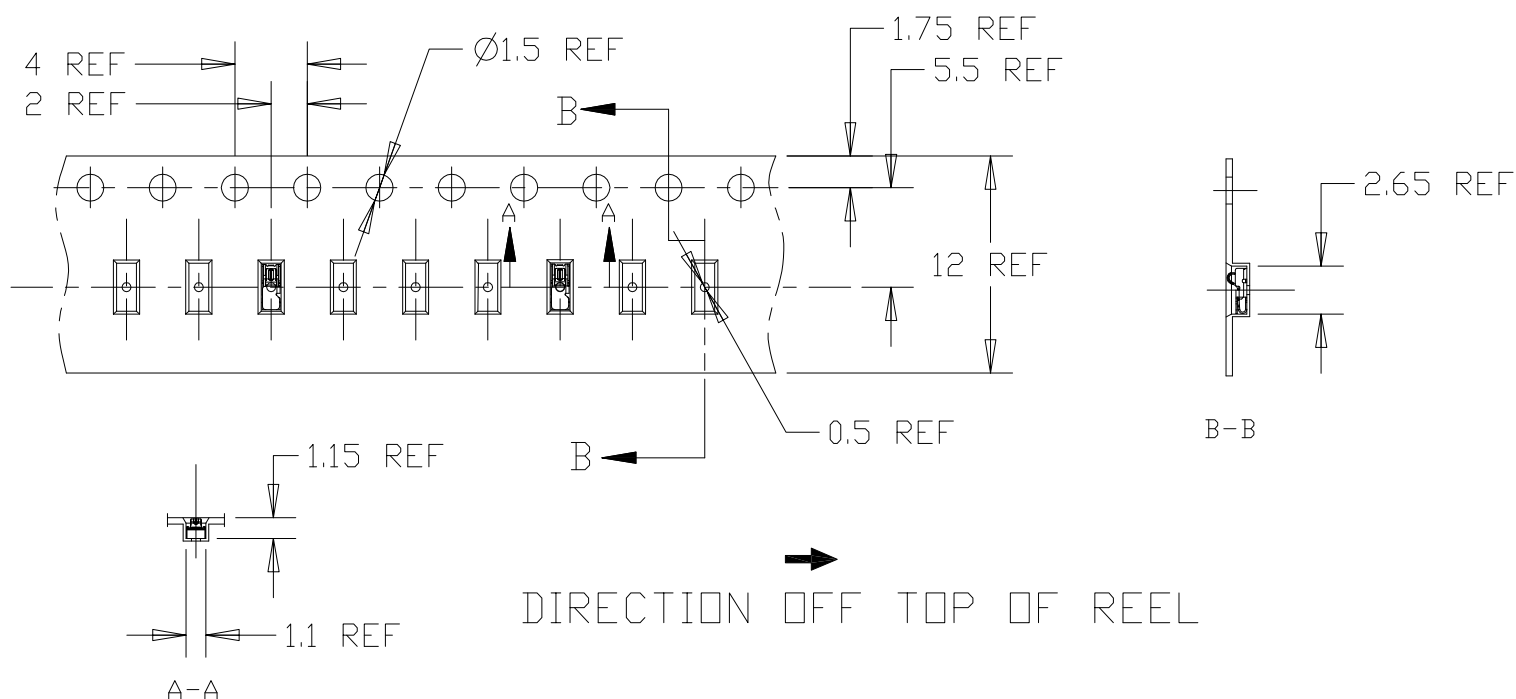
20

© COPYRIGHT 20 BY -

ALL RIGHTS RESERVED.

REVISIONS

P	LTR	DESCRIPTION	DATE	DWN	APVD
		SEE SHEET 1			



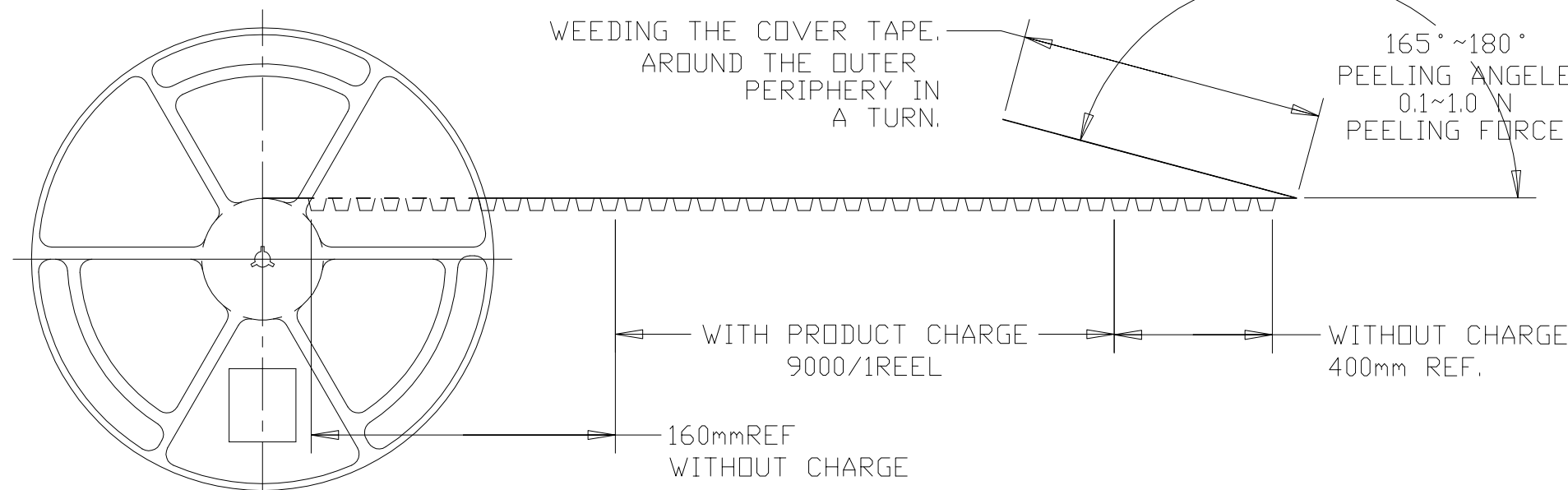
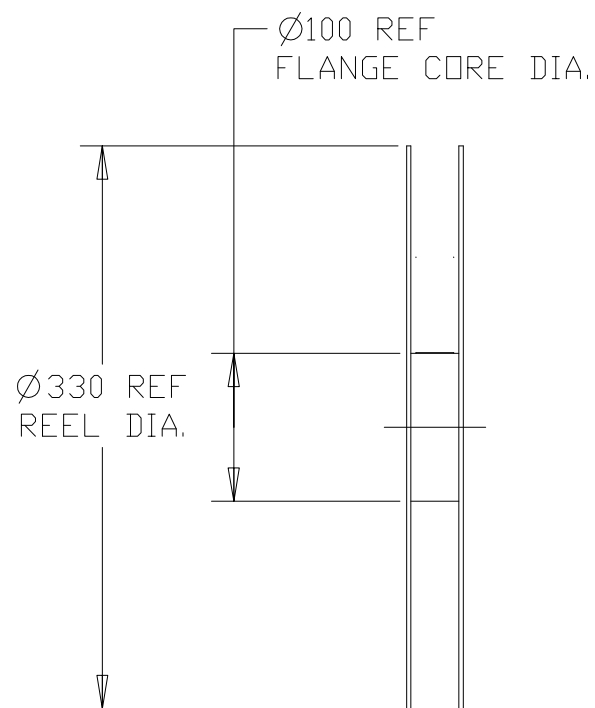
**TE**

EAG63730501-YYYYMMDD-\*\*\*\*\*-HK000120  
 SPEC: 1.1H SPRING FINGER WITH EMBOSS  
 Company Name: TE CONNECTIVITY  
 Tyco Part Number :2108693-4

**RoHS H/F**

FMT2C030

- 1. LG PART NO.
- 2. FINAL INSPECTION(YYYMMDD)
- 3. VENDOR PRODUCTION LOT NO.
- 4. VENDOR CODE



THIS DRAWING IS A CONTROLLED DOCUMENT.		DWN IC KANG 14AUG2013	<b>TE</b> TE Connectivity		
DIMENSIONS: mm		CHK JH KIM 14AUG2013			
TOLERANCES UNLESS OTHERWISE SPECIFIED: ± 0.15		APVD JH KIM 14AUG2013	NAME SPRING FINGER 1.1H		
0-PLC ± 1-PLC ±0.5 2-PLC ±0.13 3-PLC ±0.013 4-PLC ±0.0001 ANGLES ±		PRODUCT SPEC 108-XXXXX	SIZE A3	CAGE CODE 00779	DRAWING NO C-2108693
MATERIAL -		FINISH -	RESTRICTED TO -		
CUSTOMER DRAWING			SCALE 20:1	SHEET 2 OF 2	REV D