



Chipsmall Limited consists of a professional team with an average of over 10 year of expertise in the distribution of electronic components. Based in Hongkong, we have already established firm and mutual-benefit business relationships with customers from,Europe,America and south Asia,supplying obsolete and hard-to-find components to meet their specific needs.

With the principle of “Quality Parts,Customers Priority,Honest Operation,and Considerate Service”,our business mainly focus on the distribution of electronic components. Line cards we deal with include Microchip,ALPS,ROHM,Xilinx,Pulse,ON,Everlight and Freescale. Main products comprise IC,Modules,Potentiometer,IC Socket,Relay,Connector.Our parts cover such applications as commercial,industrial, and automotives areas.

We are looking forward to setting up business relationship with you and hope to provide you with the best service and solution. Let us make a better world for our industry!



Contact us

Tel: +86-755-8981 8866 Fax: +86-755-8427 6832

Email & Skype: info@chipsmall.com Web: www.chipsmall.com

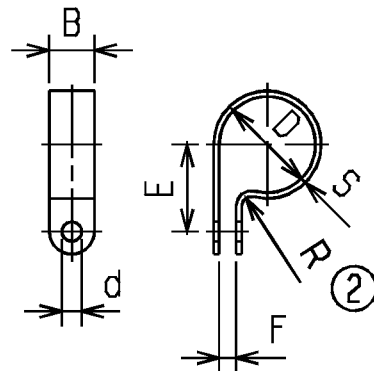
Address: A1208, Overseas Decoration Building, #122 Zhenhua RD., Futian, Shenzhen, China



Nur zur Information,
wird vom Änderungsdienst
nicht erfaßt.
For information only,
not subject to alteration service.

Aenderungsstand / Revision level		Beschreibung der Aenderung/ Revision Record	Geaendert Changed	Datum Date	Geprueft Approved	Datum Date
Solid / part	Zeichnung / drawing					
	1	Toleranzen hinzu und Formblatt neu.	Mueller	11.08.97	bma	11.08.97
	2	Farbe u. Bestell-Nr. entfaellt und Radius hinzu; Rahmen neu	Mueller	04.02.04	bma	04.02.04

*: Oeffnungsmass im
geometrisch ausge-
richteten Zustand



M 1:1

Groesse	B	D	d	E	F±0.5*	R	S
H1P	10±0.5	3.2±0.3	4.2±0.4	8.5±0.5	2	0.5	0.8±0.2
H2P	10±0.5	5±0.3	4.2±0.4	9.5±0.5	2	1	1±0.2
H3P	10±0.5	6.5±0.3	4.2±0.4	10±0.5	2.5	1	1±0.2
H4P	10±0.5	8±0.5	4.2±0.4	10±0.5	2.5	1	1.2±0.2
H5P	10±0.5	9.5±0.5	4.2±0.4	11±0.5	2.5	1	1.2±0.2
H6P	10±0.5	11±0.4	4.2±0.4	13±0.6	3	1	1.2±0.2
H7P	10±0.5	12.5±0.5	4.2±0.4	14±0.5	3	1	1.2±0.2
H8P	10±0.5	14±0.6	4.2±0.4	15±0.6	3.5	1.5	1.5±0.2
H9P	10±0.5	16±0.7	4.2±0.4	16±0.7	3.5	1.5	1.5±0.2
H10P	10±0.5	17.5±0.7	4.2±0.4	17±0.7	3.5	1.5	1.5±0.2
H11P	10±0.5	19±0.7	4.2±0.4	18±0.7	4	2	1.5±0.2
H12P	10±0.5	20.5±0.7	4.2±0.4	19±0.7	4	2	1.5±0.2
H13P	12±0.5	22±1	5.2±0.4	20.5±1	4	2	1.5±0.2
H14P	12±0.5	24±1	5.2±0.4	21.5±1	4	2	1.5±0.2
H15P	12±0.5	25.5±1	5.2±0.4	23±1	4.5	2.5	1.5±0.2
H16P	12±0.5	28.5±1	5.2±0.4	24±1	4.5	2.5	1.5±0.2
H17P	12±0.5	31.5±1	5.2±0.4	26±1	4.5	2.5	1.5±0.2
H18P	12±0.5	35±1	5.2±0.4	27.5±1	4.5	2.5	1.5±0.2

Werkstoff / Material

PA 6.6



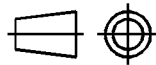
Toleranzen / Tolerances

Masse ohne Toleranzangaben nach
Dimension without tolerances
details to

DIN 16901 /

AUSFUERHRUNG / PERFORMANCE
SPEZIFIKATION / SPEC.

CATIA
4.2.4



Weitergabe sowie Vervielfaeltigung dieser
Unterlage, Verwertung und Mittelung ihres
Inhalts nicht gestattet, soweit nicht aus-
druecklich zugestanden. Zuwiderhandlungen
verpflichten zu Schadenersatz. Alle Rechte
fuer den Fall der Patenterteilung oder
Gebrauchsmuster-Eintragung vorbehalten.

The copyright of this drawing is reserved
by HELLERMANN TYTON GMBH. It is issued
on condition that it is not reproduced,
copied or disclosed to a third party, either
wholly or in part, without the consent of
HELLERMANN TYTON GMBH.

Gez. / Drawn

27.06.95

Bk

Gepr. / Appr.

Masstab / Scale • / •

Benennung / Title

Tabelle Befestigungsschellen
Table Fixing clamp

Zeichnungs-Nr. / Drawing-No

14.1214

Format
D.Size

A4

Blatt
Sheet

HellermannTyton

HellermannTyton GmbH

Grosser Moorweg 45, 25436 Tornesch
Telefon: 04122 / 701-1
Telefax: 04122 / 701-400