



Chipsmall Limited consists of a professional team with an average of over 10 year of expertise in the distribution of electronic components. Based in Hongkong, we have already established firm and mutual-benefit business relationships with customers from,Europe,America and south Asia,supplying obsolete and hard-to-find components to meet their specific needs.

With the principle of “Quality Parts,Customers Priority,Honest Operation,and Considerate Service”,our business mainly focus on the distribution of electronic components. Line cards we deal with include Microchip,ALPS,ROHM,Xilinx,Pulse,ON,Everlight and Freescale. Main products comprise IC,Modules,Potentiometer,IC Socket,Relay,Connector.Our parts cover such applications as commercial,industrial, and automotives areas.

We are looking forward to setting up business relationship with you and hope to provide you with the best service and solution. Let us make a better world for our industry!



Contact us

Tel: +86-755-8981 8866 Fax: +86-755-8427 6832

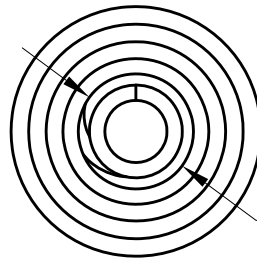
Email & Skype: info@chipsmall.com Web: www.chipsmall.com

Address: A1208, Overseas Decoration Building, #122 Zhenhua RD., Futian, Shenzhen, China

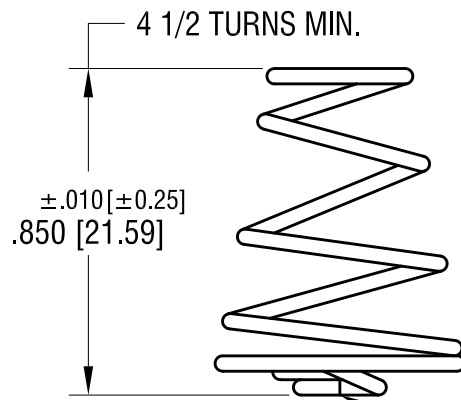


THIS DOCUMENT IS THE PROPERTY OF
KEYSTONE ELECTRONICS CORP. AND
SHALL NOT BE REPRODUCED, DISTRIBUTED
OR USED AS A BASIS FOR MANUFACTURE
WITHOUT PRIOR WRITTEN PERMISSION
FROM KEYSTONE ELECTRONICS CORP.

ACTUAL SIZE

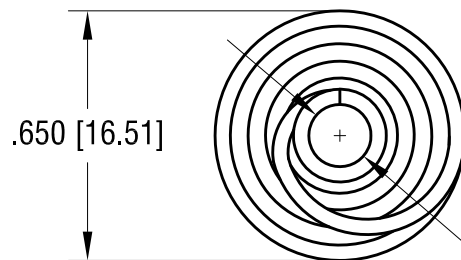


$+.005 [+0.15]$
 $-.000 [-.000]$
 $\varnothing.300 [\varnothing7.62]$ DIA.



4 1/2 TURNS MIN.
 $\pm.010 [\pm0.25]$
.850 [21.59]

SURFACE MUST BE FLAT
& PERPENDICULAR TO AXIS



.650 [16.51]
 $+.002 [+0.05]$
 $-.003 [-0.07]$
 $\varnothing.162 [\varnothing4.11]$ DIA.

KEYSTONE ELECTRONICS CORP.

www.keyelco.com • ASTORIA, N.Y. 11105-2017 • Tel (718) 956-8900

PART NAME

COIL SPRING

MATERIAL

.040 [1.02] DIA. MUSIC WIRE

FINISH

NICKEL PLATE

DRN BY

BOONE

DATE

11.11.93

APP'D

LN

SCALE

2X

12.18.12 CHANGE AS PER ECN 12-159

A

TOLERANCES

INCH [MM]
DECIMAL $\pm .005$ [± 0.13]

CODE

DWG NO.

ANGULAR $\pm 1^\circ$

C

UNLESS OTHERWISE SPECIFIED

211-D

DATE

DESCRIPTION

REV.