



Chipsmall Limited consists of a professional team with an average of over 10 year of expertise in the distribution of electronic components. Based in Hongkong, we have already established firm and mutual-benefit business relationships with customers from,Europe,America and south Asia,supplying obsolete and hard-to-find components to meet their specific needs.

With the principle of “Quality Parts,Customers Priority,Honest Operation,and Considerate Service”,our business mainly focus on the distribution of electronic components. Line cards we deal with include Microchip,ALPS,ROHM,Xilinx,Pulse,ON,Everlight and Freescale. Main products comprise IC,Modules,Potentiometer,IC Socket,Relay,Connector.Our parts cover such applications as commercial,industrial, and automotives areas.

We are looking forward to setting up business relationship with you and hope to provide you with the best service and solution. Let us make a better world for our industry!



Contact us

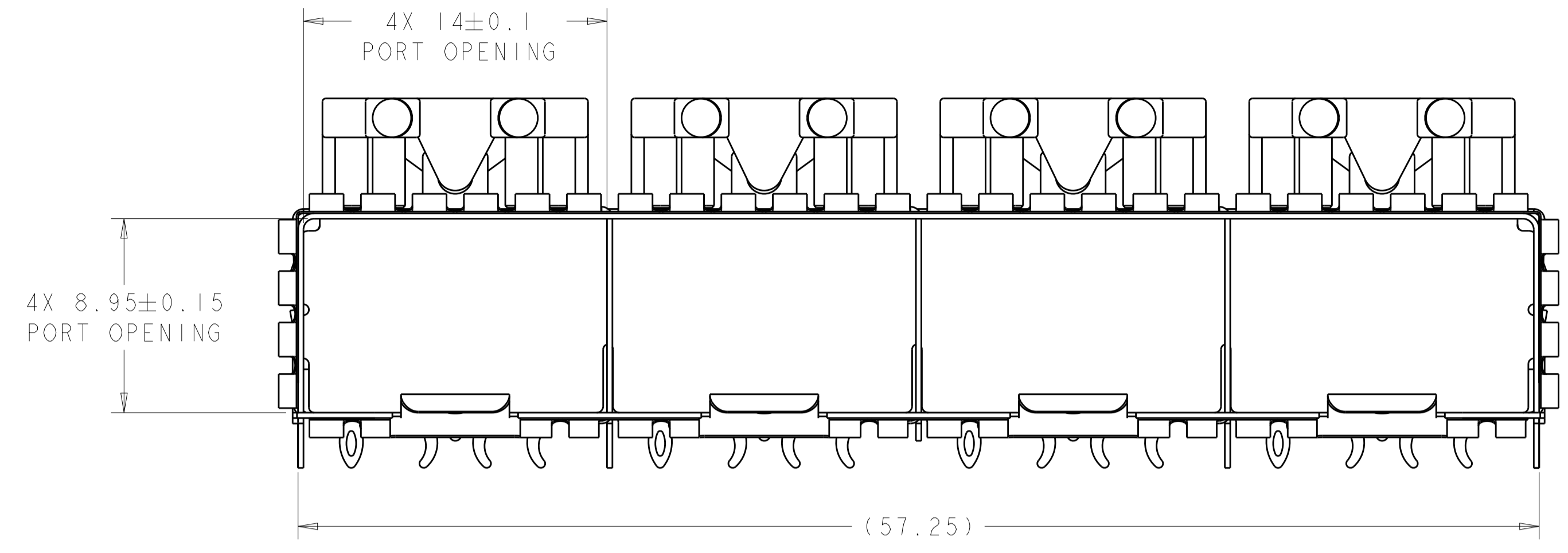
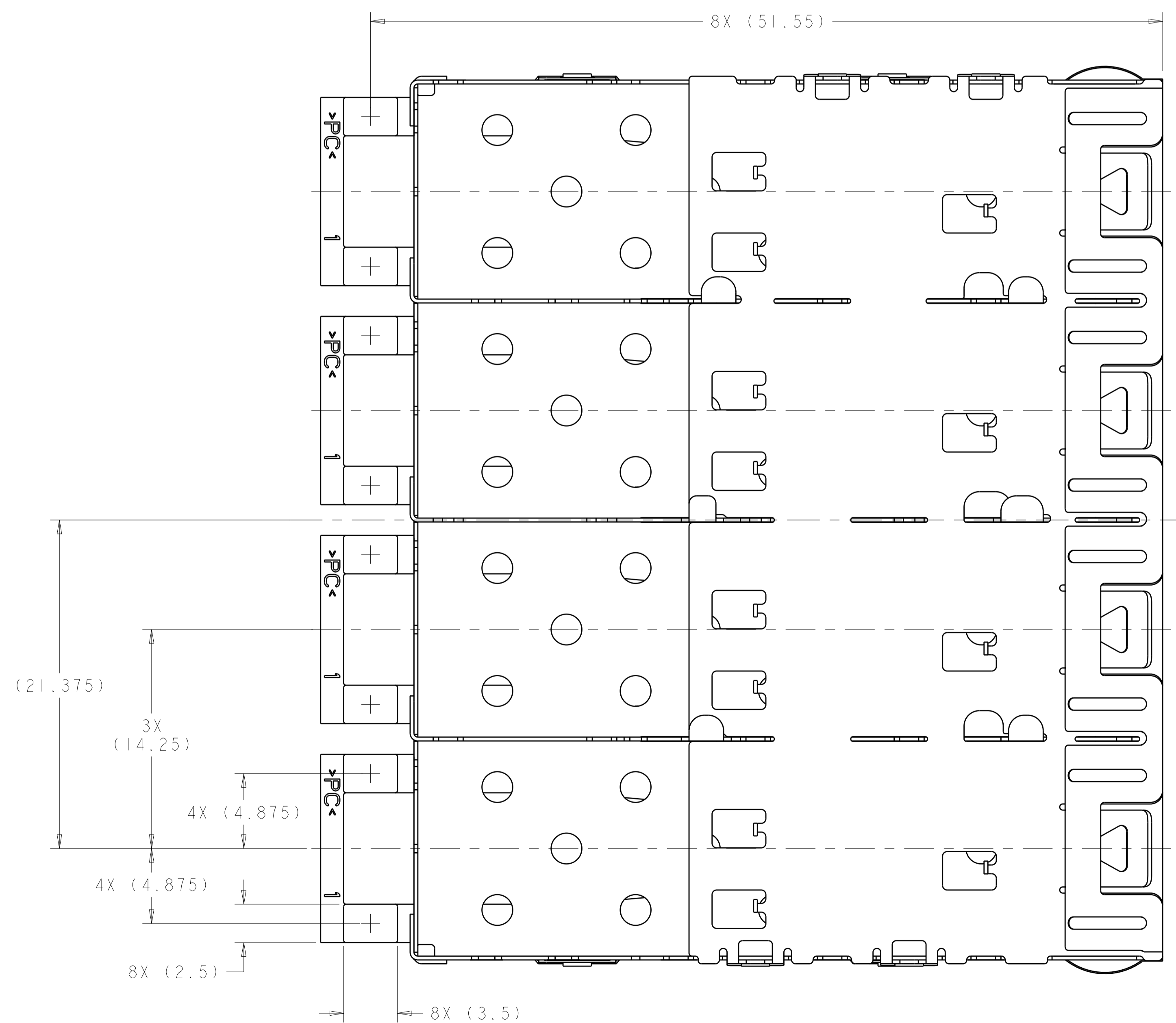
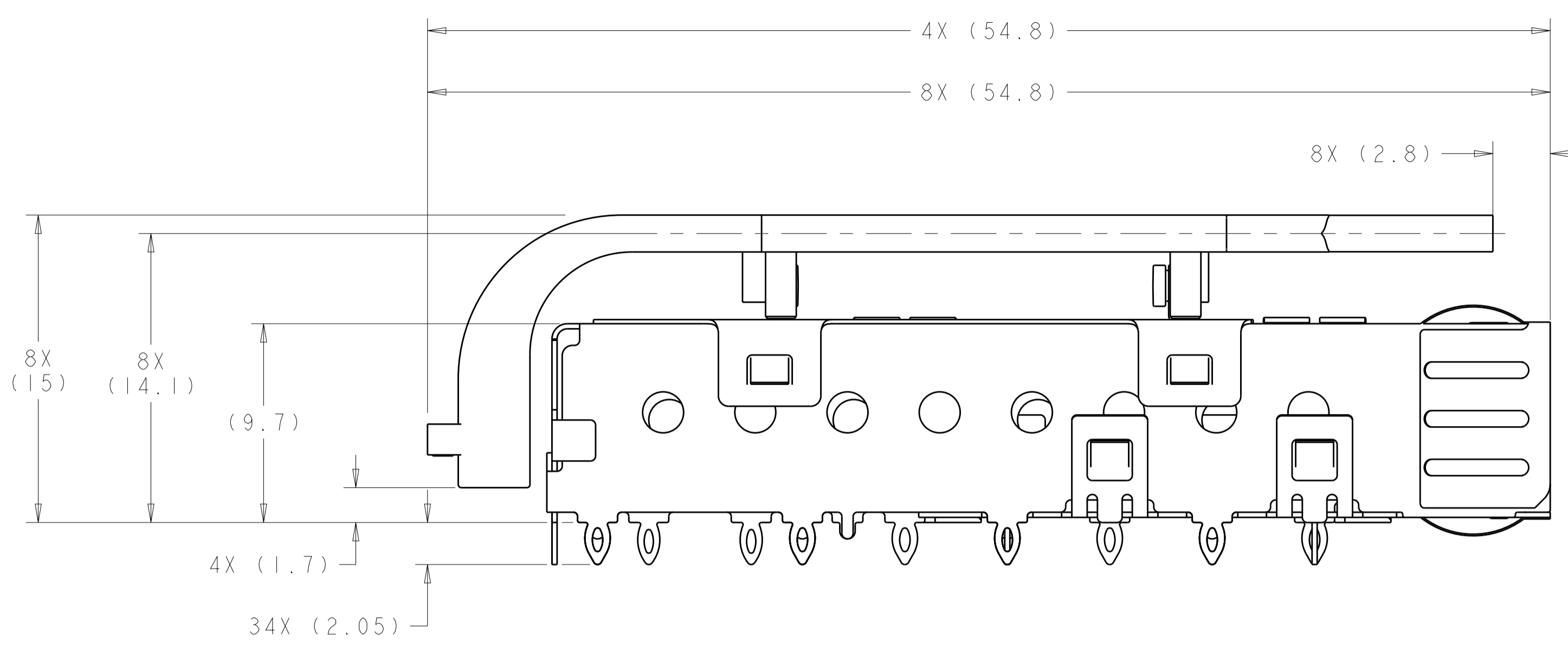
Tel: +86-755-8981 8866 Fax: +86-755-8427 6832

Email & Skype: info@chipsmall.com Web: www.chipsmall.com

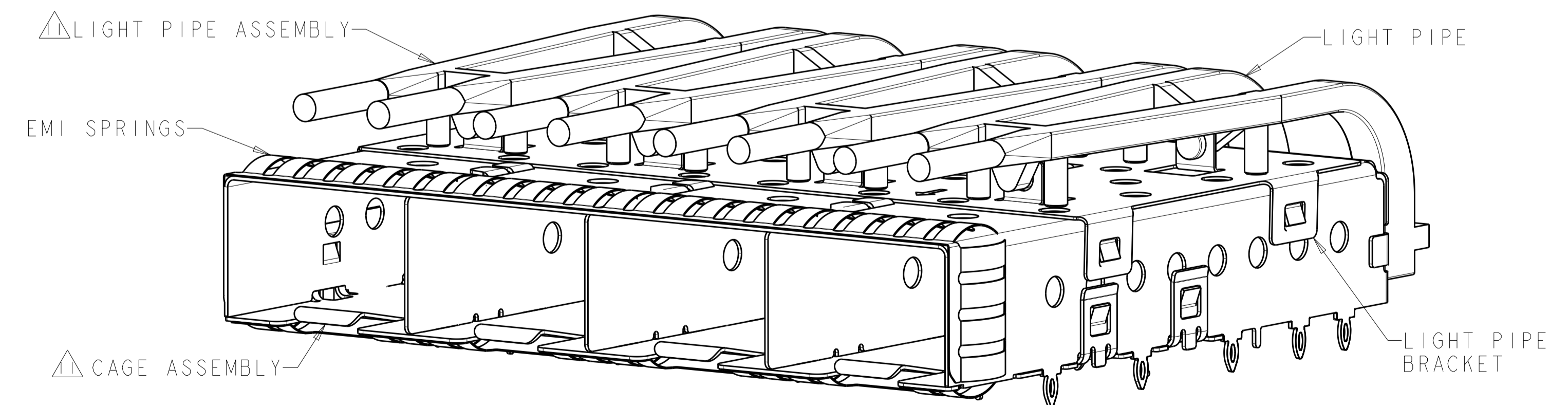
Address: A1208, Overseas Decoration Building, #122 Zhenhua RD., Futian, Shenzhen, China



LOC		DIST		REVISIONS			
GP	00	P	LTN	DESCRIPTION	DATE	DWN	APVD
		A		RELEASED PER ECO-14-000529	14JAN2014	JZ	SH



- △ MATERIAL:
 CAGE ASSEMBLY: NICKEL SILVER ALLOY
 EMI SPRINGS: COPPER ALLOY
 LIGHT PIPE BRACKET: STAINLESS STEEL
 LIGHT PIPE: POLYCARBONATE, CLEAR
- △ FINISH:
 SPRINGS: MINIMUM OF 0.8um TIN PLATE OVER A MINIMUM OF 0.8um NICKEL UNDERPLATE.
 NON-PLATED EDGES PERMISSIBLE.
- △ PADS AND VIAS CHASSIS GROUND.
- △ DATUM AND BASIC DIMENSION ESTABLISHED BY CUSTOMER.
- 5. MATES WITH SFP MSA COMPLIANT TRANSCEIVERS.
- 6. INTERPRETATION OF DATUM REFERENCE FRAME IN ACCORDANCE WITH SECT 4.4.1.1 OF ASME Y14.5M-1994.
- △ REFERENCE APPLICATION SPEC. 114-13120, HOLE A, FOR RECOMMENDED DRILL HOLE DIAMETER AND PLATING THICKNESS.
- △ REFERENCE APPLICATION SPEC. 114-13120, HOLE B, FOR RECOMMENDED DRILL HOLE DIAMETER AND PLATING THICKNESS.
- △ HOLE PATTERN REPEATS FOR EACH PORT. SPACING BETWEEN PORTS IS 14.25mm.
- △ MINIMUM PC BOARD THICKNESS:
 SINGLE SIDED = 1.5mm
 DOUBLE SIDED = 2.25mm
- △ LIGHT PIPE ASSEMBLY SHIPPED UNASSEMBLED TO CAGE ASSEMBLY. CAGE ASSEMBLY TO BE PRESSED INTO THE PCB PRIOR TO ATTACHING THE LIGHT PIPE ASSEMBLY TO THE CAGE.
- 12. CERTAIN MATING TRANSCEIVERS MAY REQUIRE ADDITIONAL PCB THICKNESS THAT WOULD NEED TO BE DETERMINED BY THE CUSTOMER.

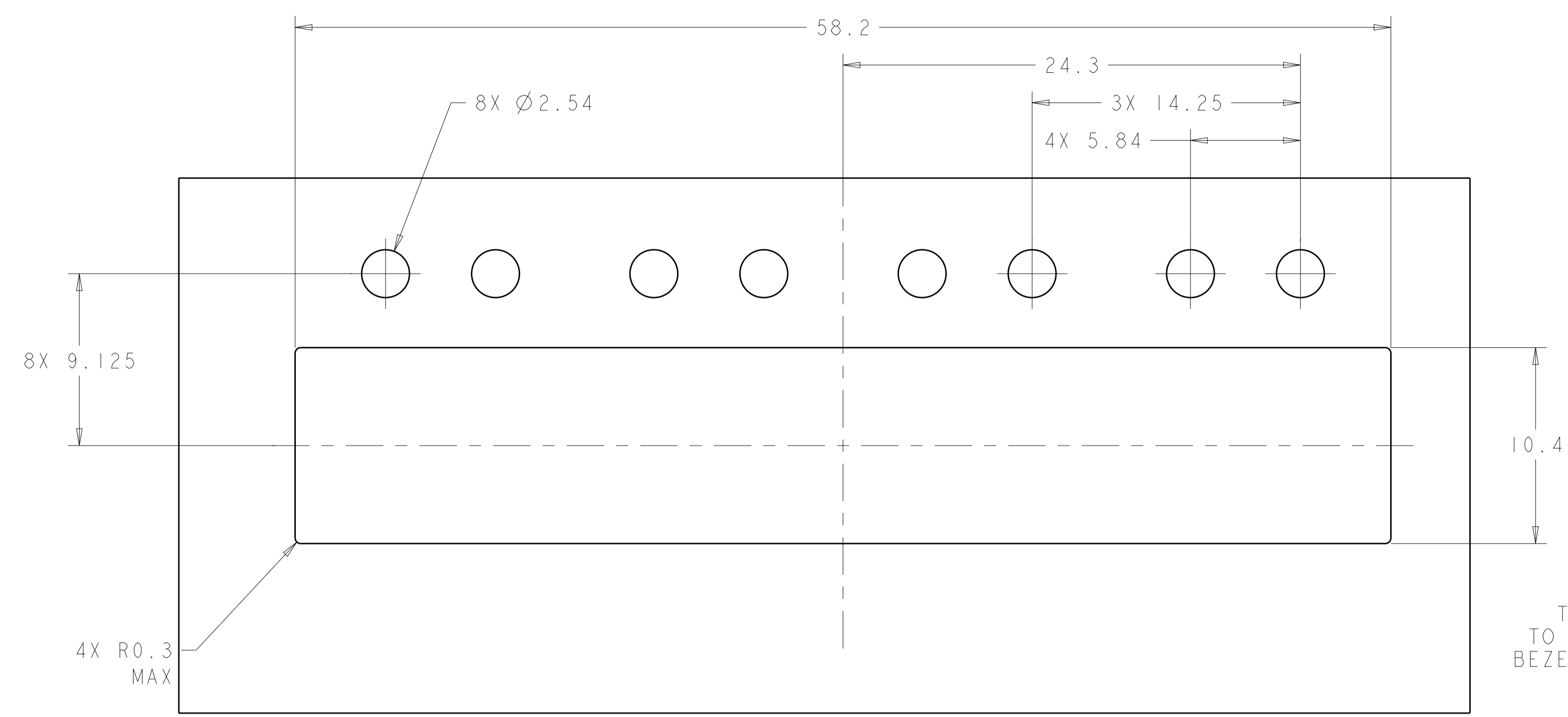


2110069-1
 SCALE 4:1

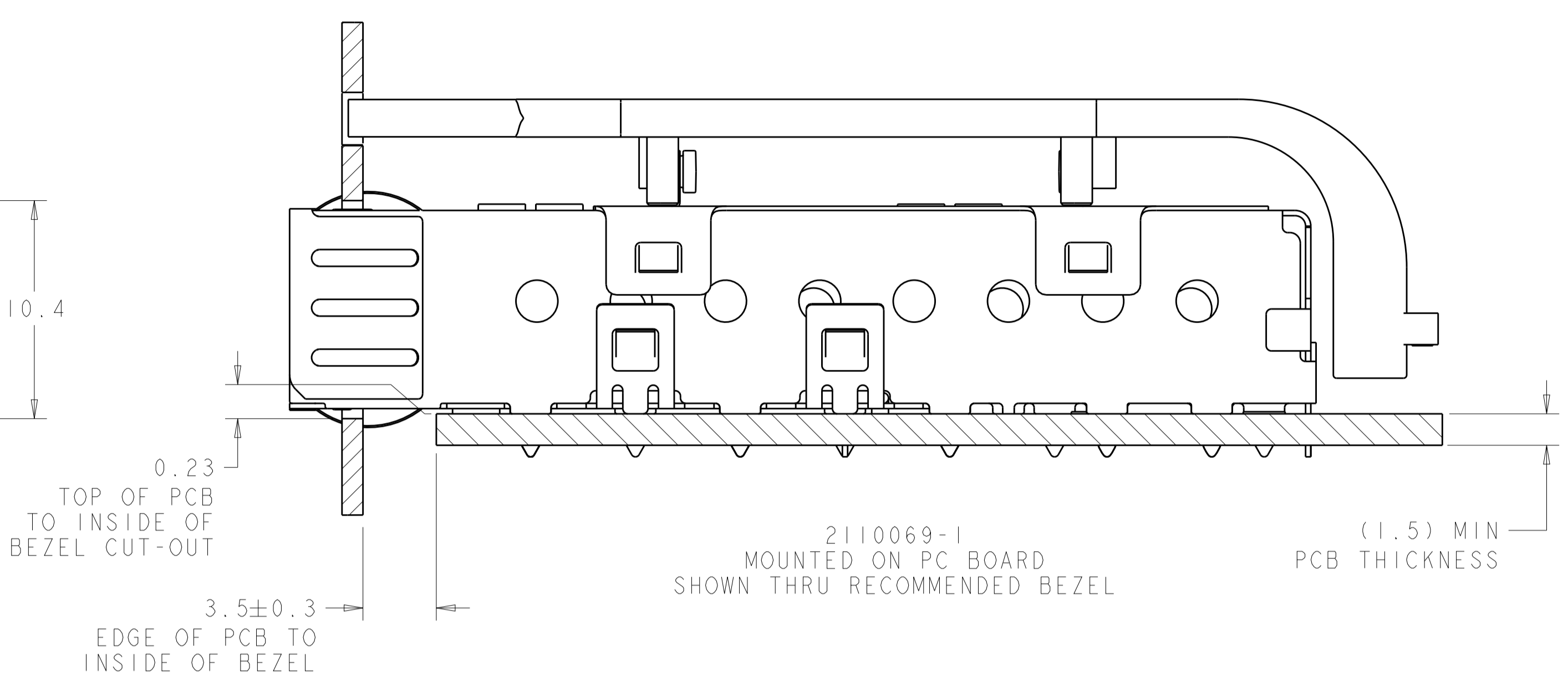
2110069-1
 PART NUMBER

THIS DRAWING IS A CONTROLLED DOCUMENT.		DWN Z. M. BEAM 16JAN2009	TE Connectivity
DIMENSIONS:		CHK M. R. SCHMITT 16JAN2009	
mm	TOLERANCES UNLESS OTHERWISE SPECIFIED:	APVD R. H. WERTZ 16JAN2009	NAME SFP+ 1X4 CAGE ASSEMBLY PRESS-FIT, EXTERNAL EMI SPRINGS W/ REDUCED LENGTH LIGHT PIPE
0 PLC ±0.1 1 PLC ±0.1 2 PLC ±0.1 3 PLC ±0.1 4 PLC ±0.1 ANGLES ±1°	FINISH △2	PRODUCT SPEC 108-2364	SIZE A100779
MATERIAL △1		APPLICATION SPEC 114-13120	RESTRICTED TO Customer Drawing
		WEIGHT	SCALE 5:1 SHEET 1 OF 4 REV A

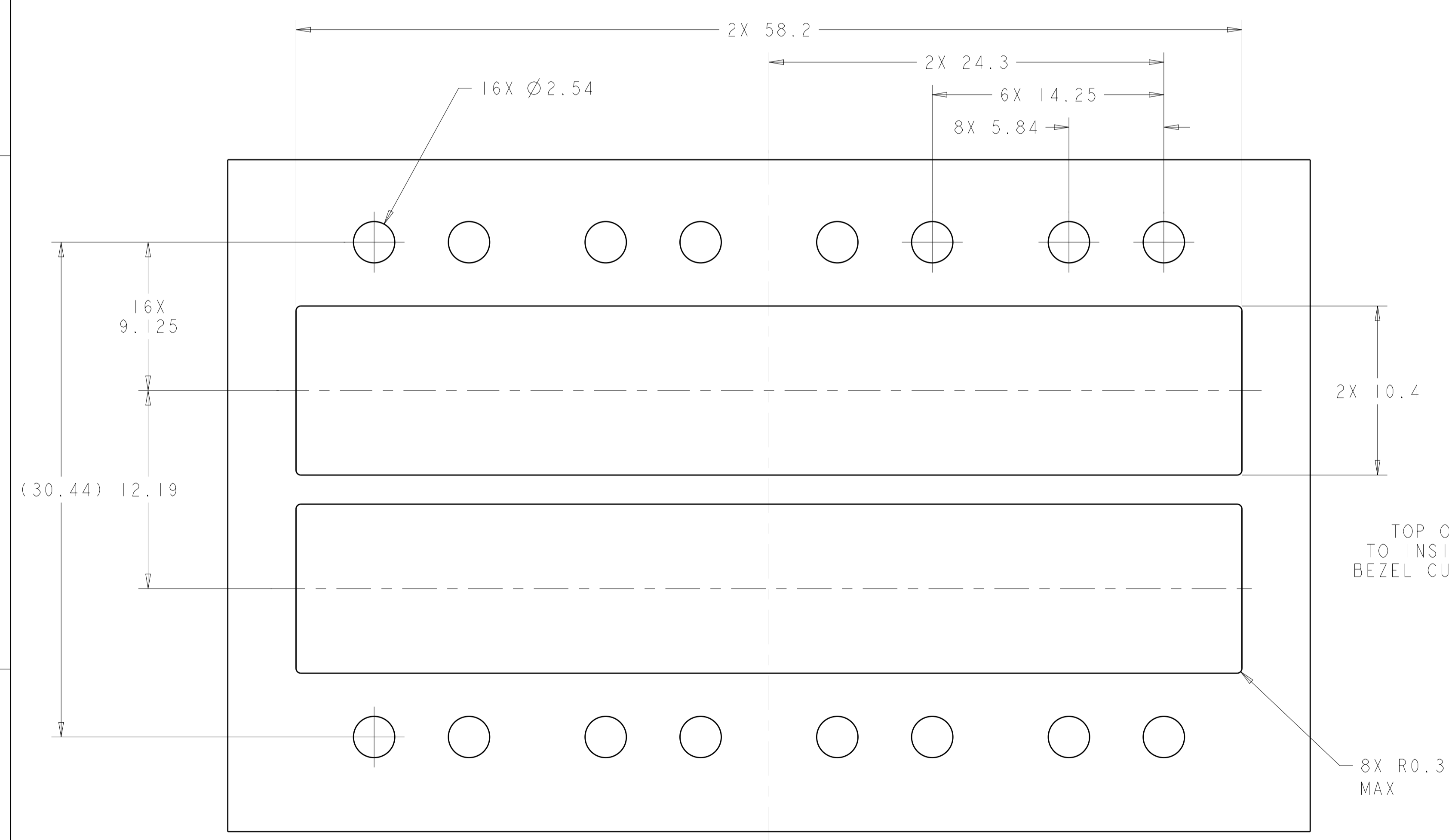
LOC		DIST		REVISIONS			
GP	00	P	LTN	DESCRIPTION	DATE	DMN	APVD
-	-	-	-	SEE SHEET 1	-	-	-



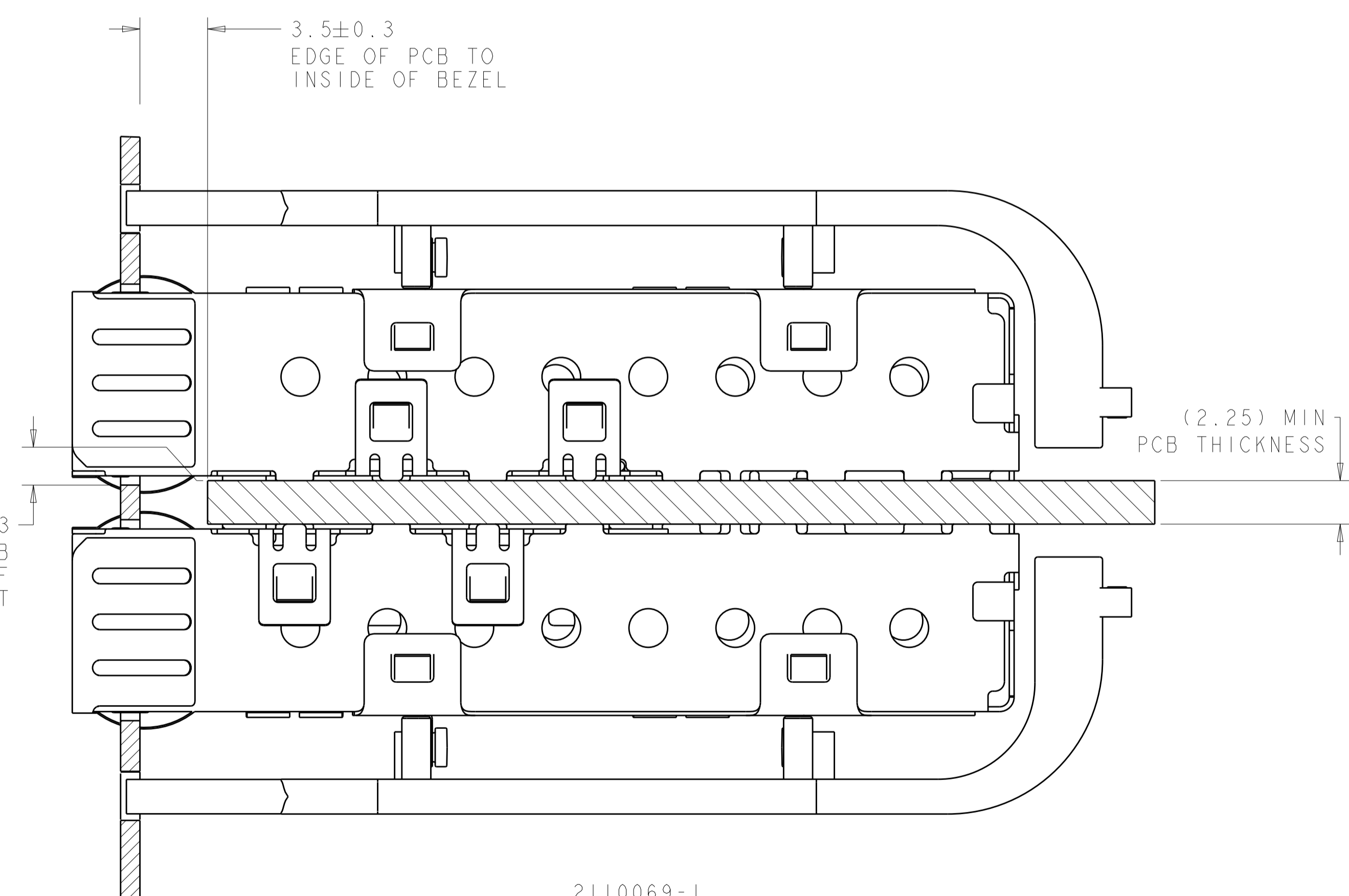
RECOMMENDED BEZEL CUT-OUT
SINGLE SIDED APPLICATIONS



2110069-1
MOUNTED ON PC BOARD
SHOWN THRU RECOMMENDED BEZEL



RECOMMENDED BEZEL CUT-OUT
BELLY TO BELLY APPLICATIONS

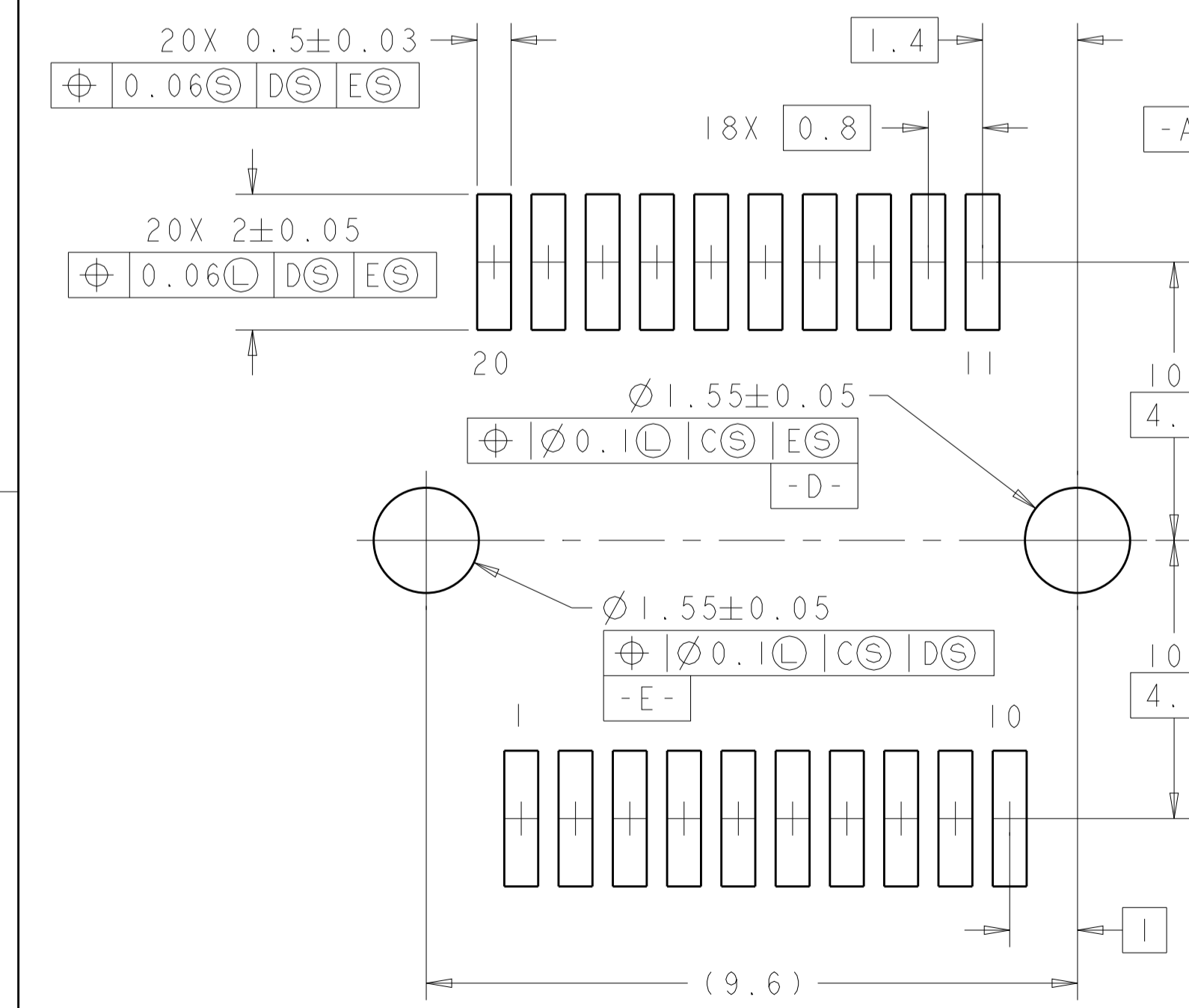
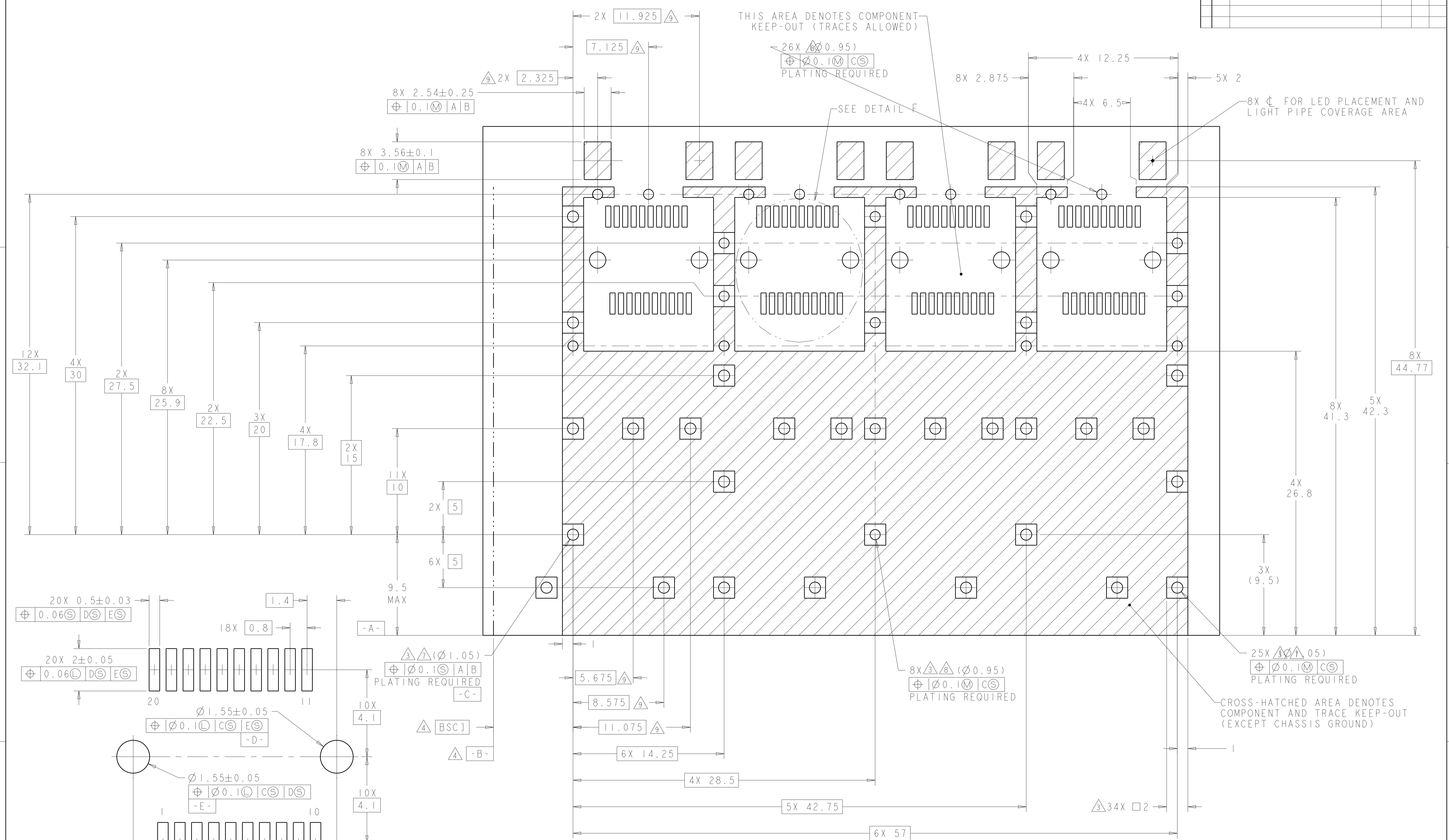


2110069-1
MOUNTED BELLY TO BELLY ON PC BOARD
SHOWN THRU RECOMMENDED BEZEL

THIS DRAWING IS A CONTROLLED DOCUMENT.		DMN	Z. M. BEAM	16JAN2009	TE Connectivity NAME: SFP+ 1X4 CAGE ASSEMBLY PRESS-FIT, EXTERNAL EMI SPRINGS W/ REDUCED LENGTH LIGHT PIPE SIZE: CAGE CODE DRAWING NO. RESTRICTED TO A100779C=2110069 SCALE: 5:1 SHEET 2 OF 4 REV A
DIMENSIONS:		CHK	M. R. SCHMITT	16JAN2009	
mm		APVD	P. H. WERTZ	16JAN2009	
0 PLC ±0.1 1 PLC ±0.1 2 PLC ±0.1 3 PLC ±0.1 4 PLC ±0.1 ANGLES ±1°		TOLERANCES UNLESS OTHERWISE SPECIFIED:		PRODUCT SPEC	
MATERIAL		FINISH		APPLICATION SPEC	108-2364
				114-13120	WEIGHT
					Customer Drawing

LOC	DIST	REV	DATE	APPD
GP	00			

REVISIONS			
REV	DATE	APPD	DESCRIPTION
-	-	-	SEE SHEET 1

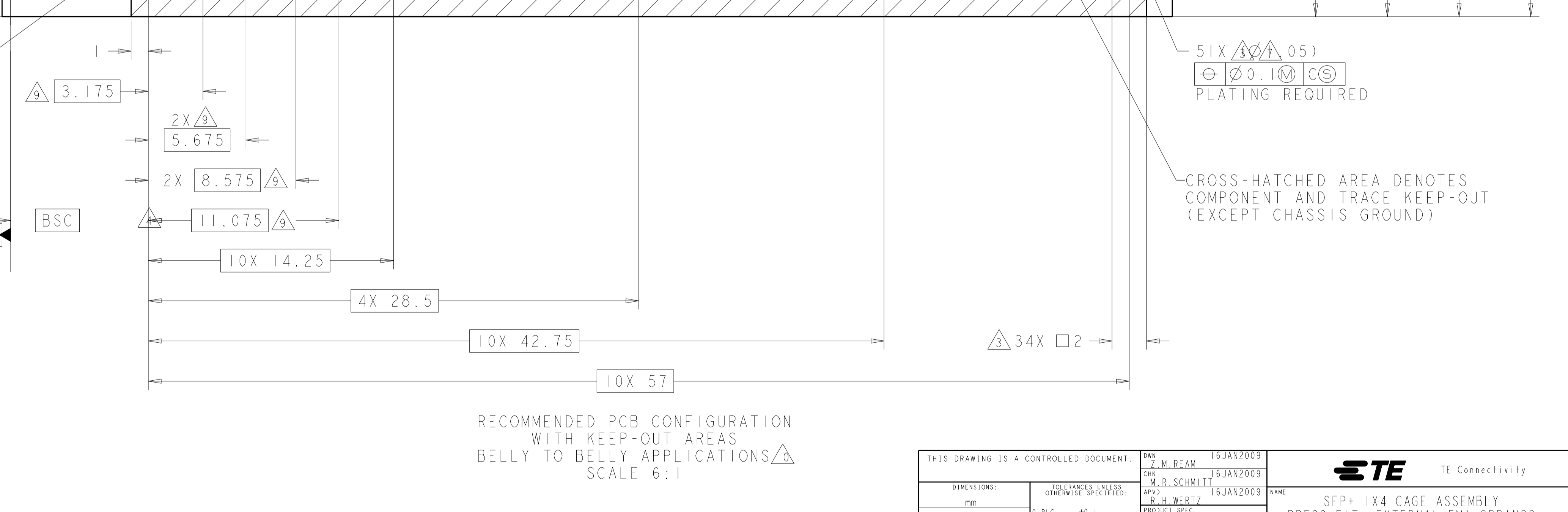
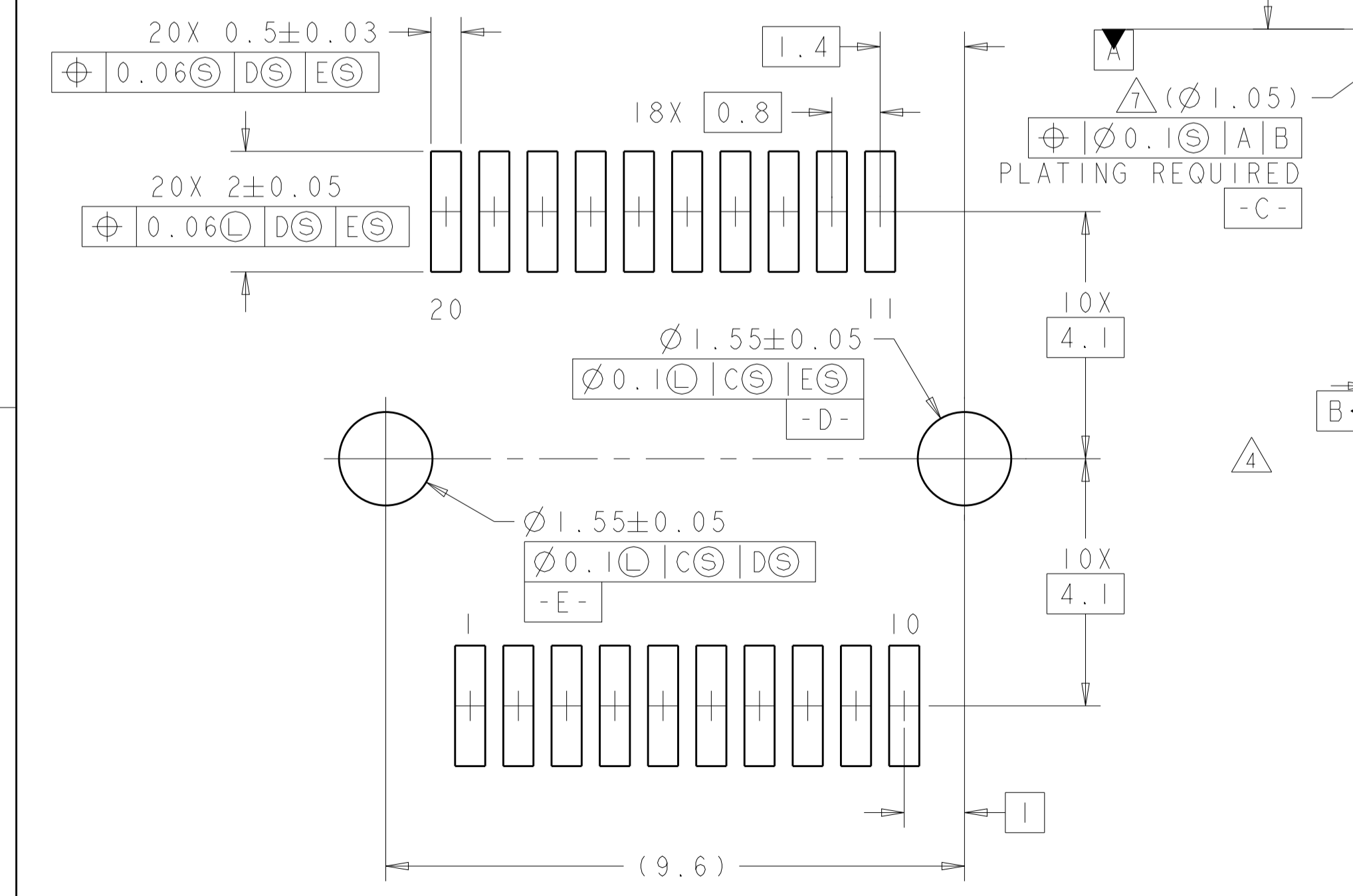
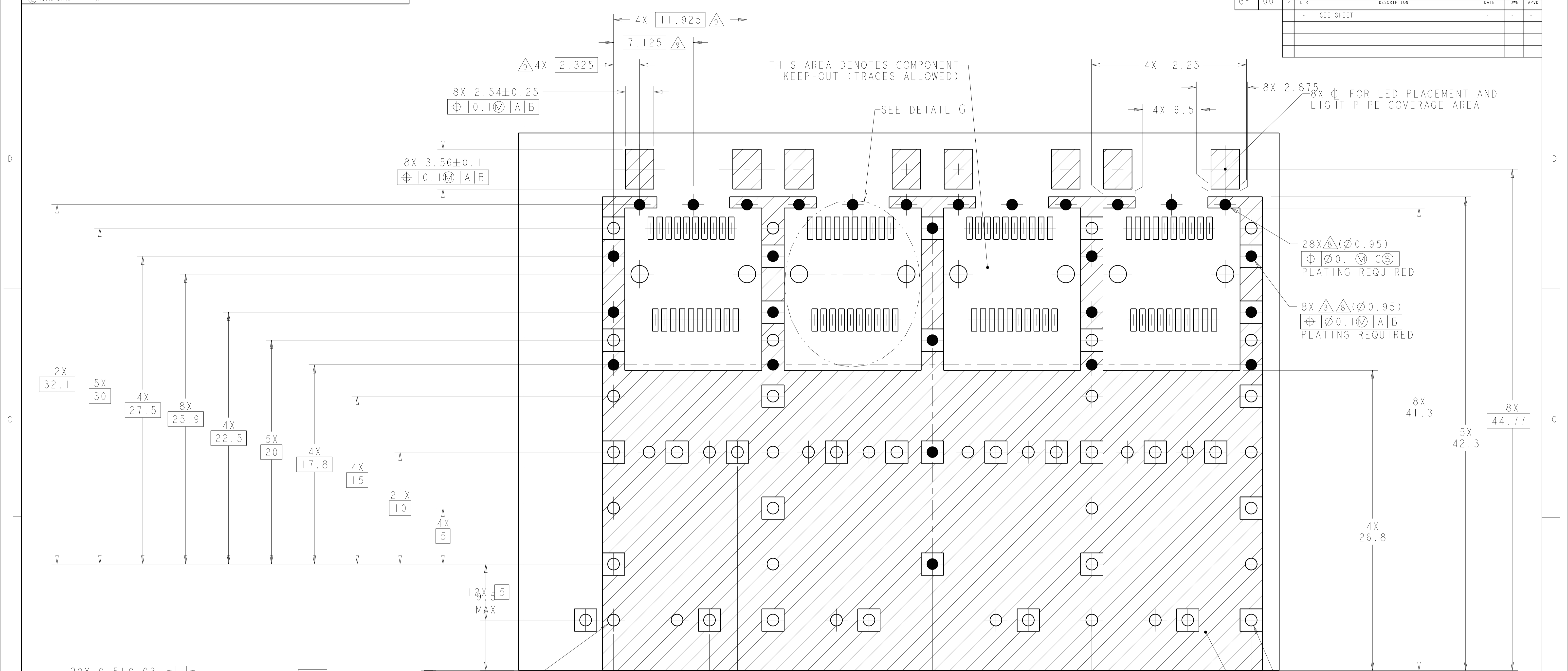


RECOMMENDED PCB CONFIGURATION
 WITH KEEP-OUT AREAS
 SINGLE SIDED APPLICATIONS \triangle
 SCALE 6:1

THIS DRAWING IS A CONTROLLED DOCUMENT.		OWN Z. M. REAM 16 JAN 2009	APVD M. R. SCHMITT 16 JAN 2009	NAME SFP+ 1X4 CAGE ASSEMBLY PRESS-FIT, EXTERNAL EMI SPRINGS W/ REDUCED LENGTH LIGHT PIPE
DIMENSIONS: mm	TOLERANCES UNLESS OTHERWISE SPECIFIED:	0 PLC ± 0.1	1 PLC ± 0.1	2 PLC ± 0.1
		3 PLC ± 0.1	4 PLC ± 0.1	5 PLC ± 0.1
		ANGLES ± 0.1	FINISH ± 0.05	
MATERIAL		114-13120	108-2364	114-13120
		Customer Drawing	A100779C=2110069	Customer Drawing

STE TE Connectivity

SCALE 5:1 SHEET 3 OF 4 REV A



THIS DRAWING IS A CONTROLLED DOCUMENT.		DWN 16 JAN 2009 Z. M. REAM			TE Connectivity	
DIMENSIONS:		CHK 16 JAN 2009 M. R. SCHMITZ			NAME	
mm		APVD 16 JAN 2009 B. H. WERTZ		SFP+ 1X4 CAGE ASSEMBLY		
TOLERANCES UNLESS OTHERWISE SPECIFIED:		PRODUCT SPEC		PRESS-FIT, EXTERNAL EMI SPRINGS		
0 PLC ±0.1		108-2364		W/ REDUCED LENGTH LIGHT PIPE		
1 PLC ±0.1		APPLICATION SPEC		SIZE		
2 PLC ±0.1		114-13120		A1 00779 C=2110069		
3 PLC ±0.1		WEIGHT		Customer Drawing		
4 PLC ±0.1		SCALE 5:1		SHEET 4 OF 4		
ANGLES		REV A		-		