



Chipsmall Limited consists of a professional team with an average of over 10 year of expertise in the distribution of electronic components. Based in Hongkong, we have already established firm and mutual-benefit business relationships with customers from,Europe,America and south Asia,supplying obsolete and hard-to-find components to meet their specific needs.

With the principle of “Quality Parts,Customers Priority,Honest Operation,and Considerate Service”,our business mainly focus on the distribution of electronic components. Line cards we deal with include Microchip,ALPS,ROHM,Xilinx,Pulse,ON,Everlight and Freescale. Main products comprise IC,Modules,Potentiometer,IC Socket,Relay,Connector.Our parts cover such applications as commercial,industrial, and automotives areas.

We are looking forward to setting up business relationship with you and hope to provide you with the best service and solution. Let us make a better world for our industry!



Contact us

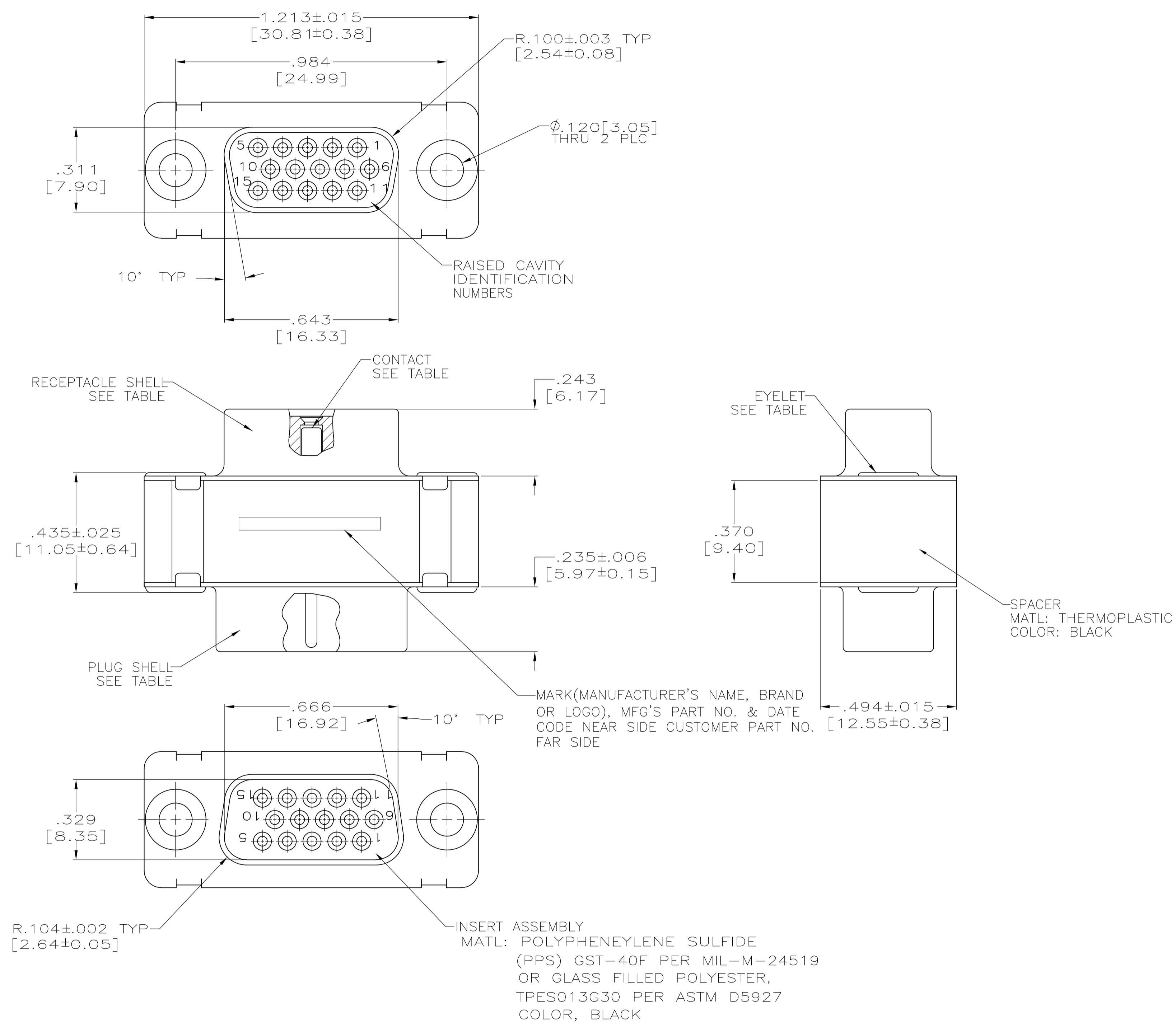
Tel: +86-755-8981 8866 Fax: +86-755-8427 6832

Email & Skype: info@chipsmall.com Web: www.chipsmall.com

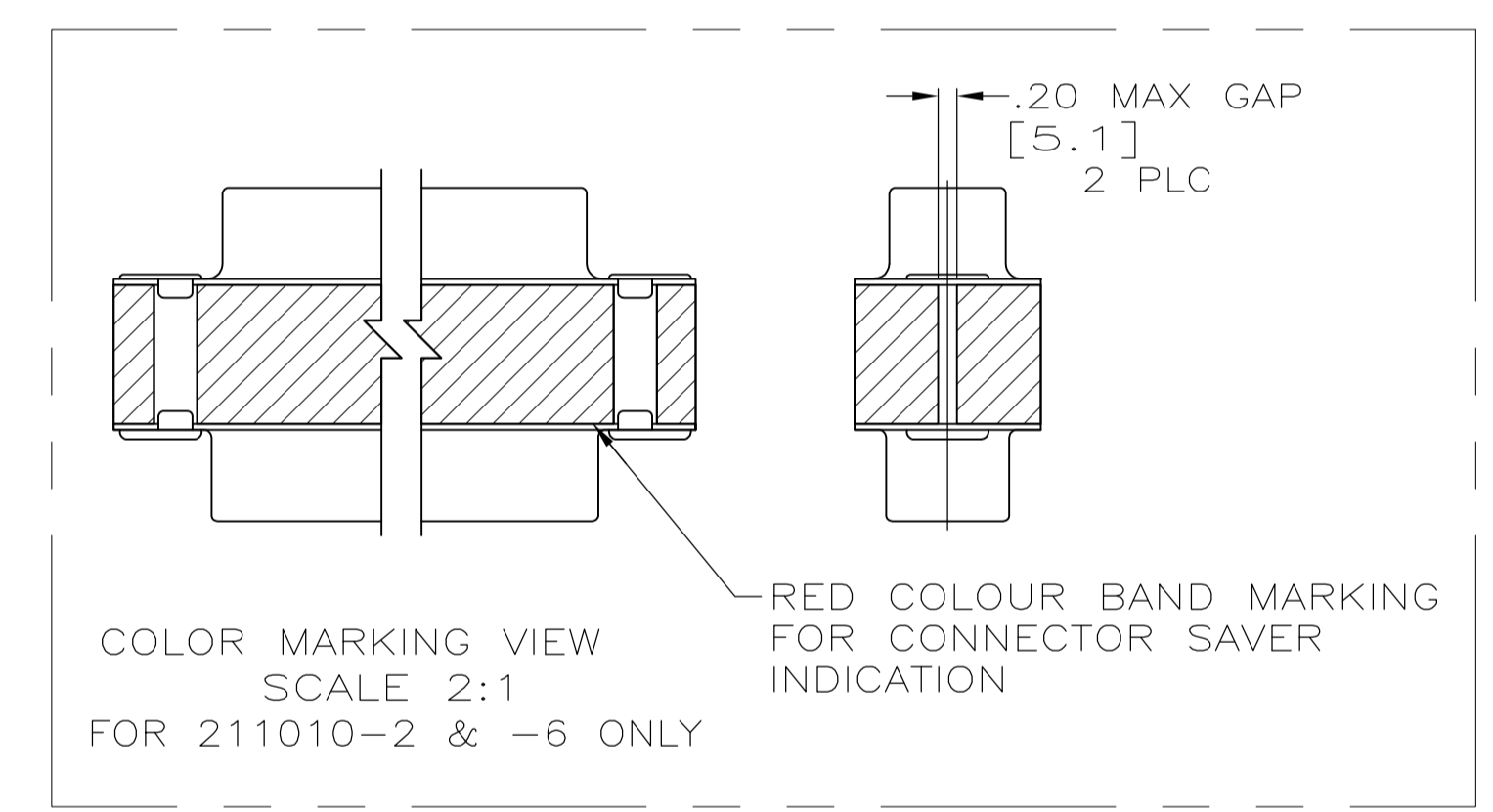
Address: A1208, Overseas Decoration Building, #122 Zhenhua RD., Futian, Shenzhen, China



LOC		DIST		REVISIONS			
DF	DO	P	LTR	DESCRIPTION	DATE	DWN	APVD
		Z		REVISED PER ECO-08-028464	21NOV08	CT	SG



- 1 CONTACTS INCLUDED IN ASSEMBLY.
- 2 MATL: STEEL, PER ASTM-A-109.
- 3 FINISH: CADIUM PER QQ-P-416.
- 4 CONTACT
BODY MATL: BERYLLIUM COPPER PER ASTM-B-197.
BODY FINISH: PLATED GOLD, .000050 MIN THK PER MIL-G-45204 OVER NICKEL, .000050 MIN THK PER QQ-N-290.
- 5 HOOD MATL: STAINLESS STEEL PER ASTM-A-167.
HOOD FINISH: PASSIVATED PER ASTM-A-380
FINISH: PLATED ZINC .00020 MIN THK PER ASTM-B-633.
YELLOW CHROMATE FINISH.
- 6 MATL: BRASS PER ASTM-B-36.
- 7 FINISH: PLATED GOLD, .000050 MIN THK PER MIL-G-45204 OVER COPPER, .000100 MIN THK PER MIL-C-14550.
- 8 CONTACT
BODY MATL: BERYLLIUM COPPER PER ASTM-B-197.
BODY AND HOOD FINISH: PLATED GOLD, .000050 MIN THK PER MIL-G-45204 OVER COPPER, .000100 MIN THK PER MIL-C-14550.
HOOD MATL: BRASS PER ASTM-B-36
- 9 FINISH: PLATED ZINC PER ASTM-B-633 .000200 MIN THK WITH SUPPLEMENTARY CHROMATE (Cr3+).



6 9	2 9	4	-	5-211010-1
6 7	6 7	4	R10002677-0106	211010-6
6 7	6 7	4	2A091-001W	211010-5
6 7	6 7	8	-	211010-4
6 7	6 7	4	(1J02-106)	211010-2
6 5	2 3	4	-	211010-1
EYELET	SHEELS	CONTACT	CUSTOMER P/N	PART NO.

THIS DRAWING IS A CONTROLLED DOCUMENT.		DIN T. THOMPSON 18AUG98		Tyco Electronics Corporation	
DIMENSIONS: INCHES		CHK J. NORTON 18AUG98		Harrisburg, PA 17105-3608	
TOLERANCES UNLESS OTHERWISE SPECIFIED:		APVD J. NORTON 18AUG98		NAME	
0 PLC ± -		PRODUCT SPEC		CONNECTOR SAVER, AMPLIMITE	
1 PLC ± -		APPLICATION SPEC		15 POSITION, SIZE 1, SERIES 90	
2 PLC ± -		SIZE		CAGE CODE	
3 PLC ± .005(0.13)		A1		00779	
4 PLC ± -		WEIGHT		DRAWING NO	
ANGLES ± -		CUSTOMER DRAWING		211010	
MATERIAL SEE CALLOUTS		FINISH SEE CALLOUTS		SCALE 4:1	
		SHEET 1 OF 1		REV 2	