



Chipsmall Limited consists of a professional team with an average of over 10 year of expertise in the distribution of electronic components. Based in Hongkong, we have already established firm and mutual-benefit business relationships with customers from,Europe,America and south Asia,supplying obsolete and hard-to-find components to meet their specific needs.

With the principle of "Quality Parts,Customers Priority,Honest Operation,and Considerate Service",our business mainly focus on the distribution of electronic components. Line cards we deal with include Microchip,ALPS,ROHM,Xilinx,Pulse,ON,Everlight and Freescale. Main products comprise IC,Modules,Potentiometer,IC Socket,Relay,Connector.Our parts cover such applications as commercial,industrial, and automotives areas.

We are looking forward to setting up business relationship with you and hope to provide you with the best service and solution. Let us make a better world for our industry!



Contact us

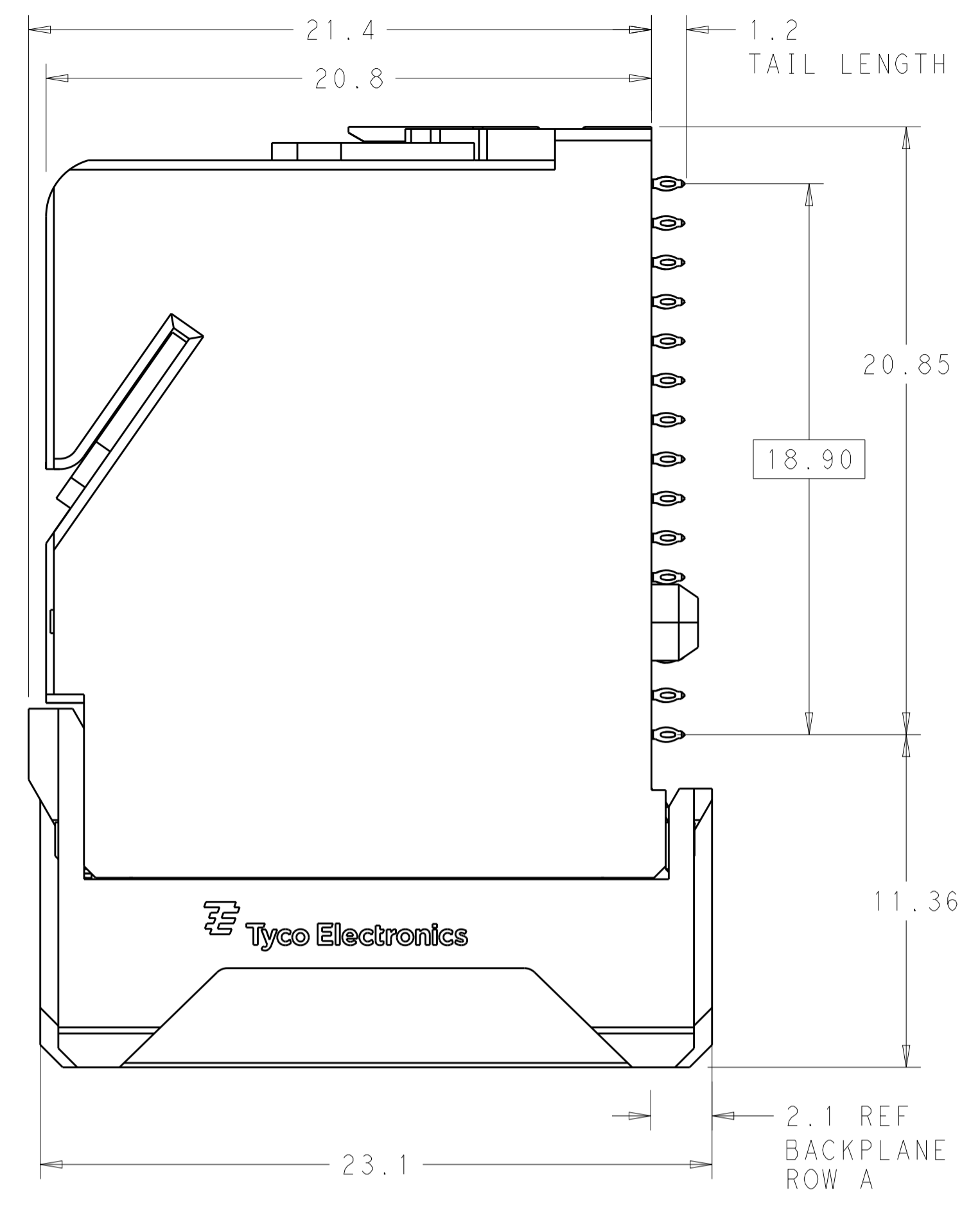
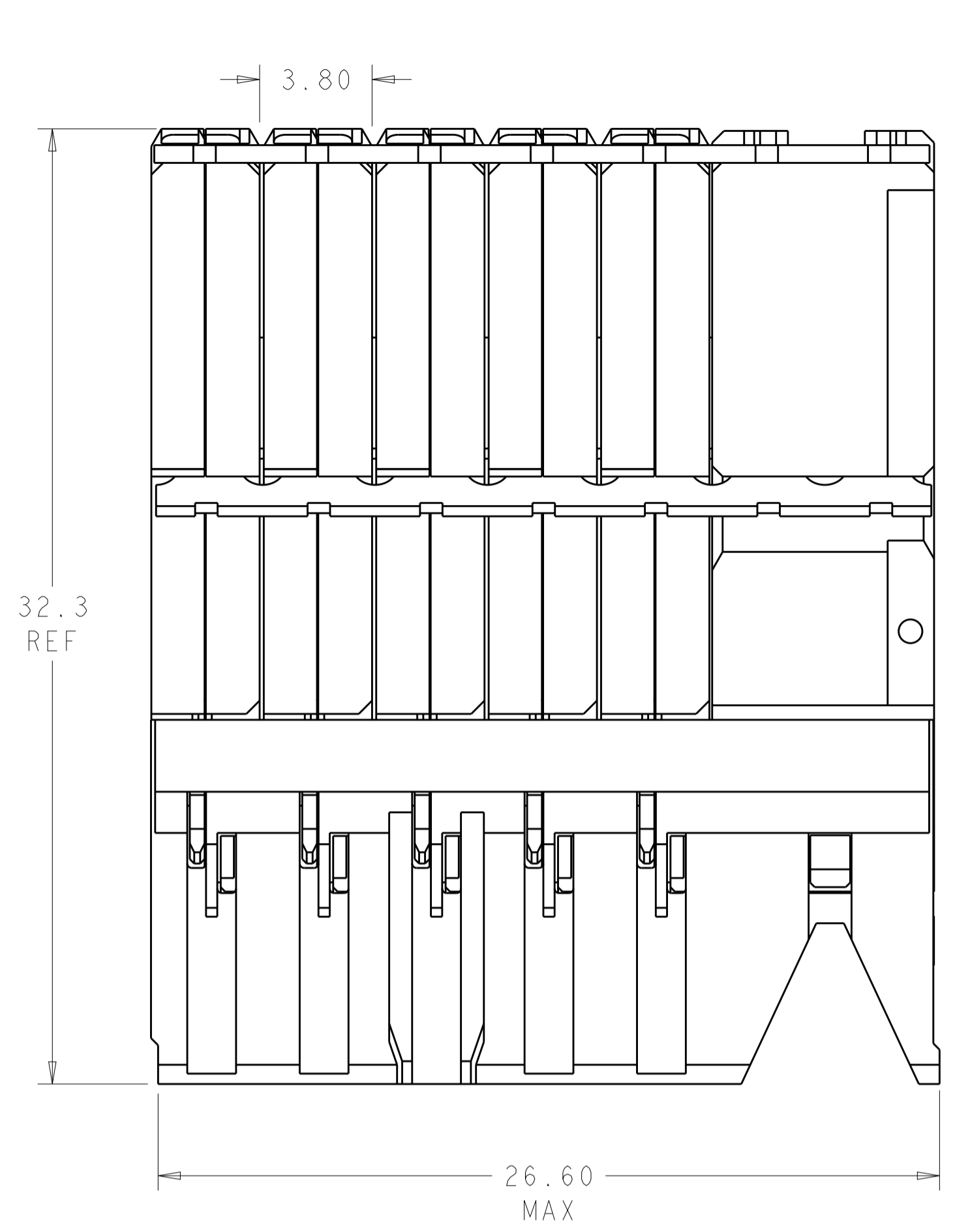
Tel: +86-755-8981 8866 Fax: +86-755-8427 6832

Email & Skype: info@chipsmall.com Web: www.chipsmall.com

Address: A1208, Overseas Decoration Building, #122 Zhenhua RD., Futian, Shenzhen, China



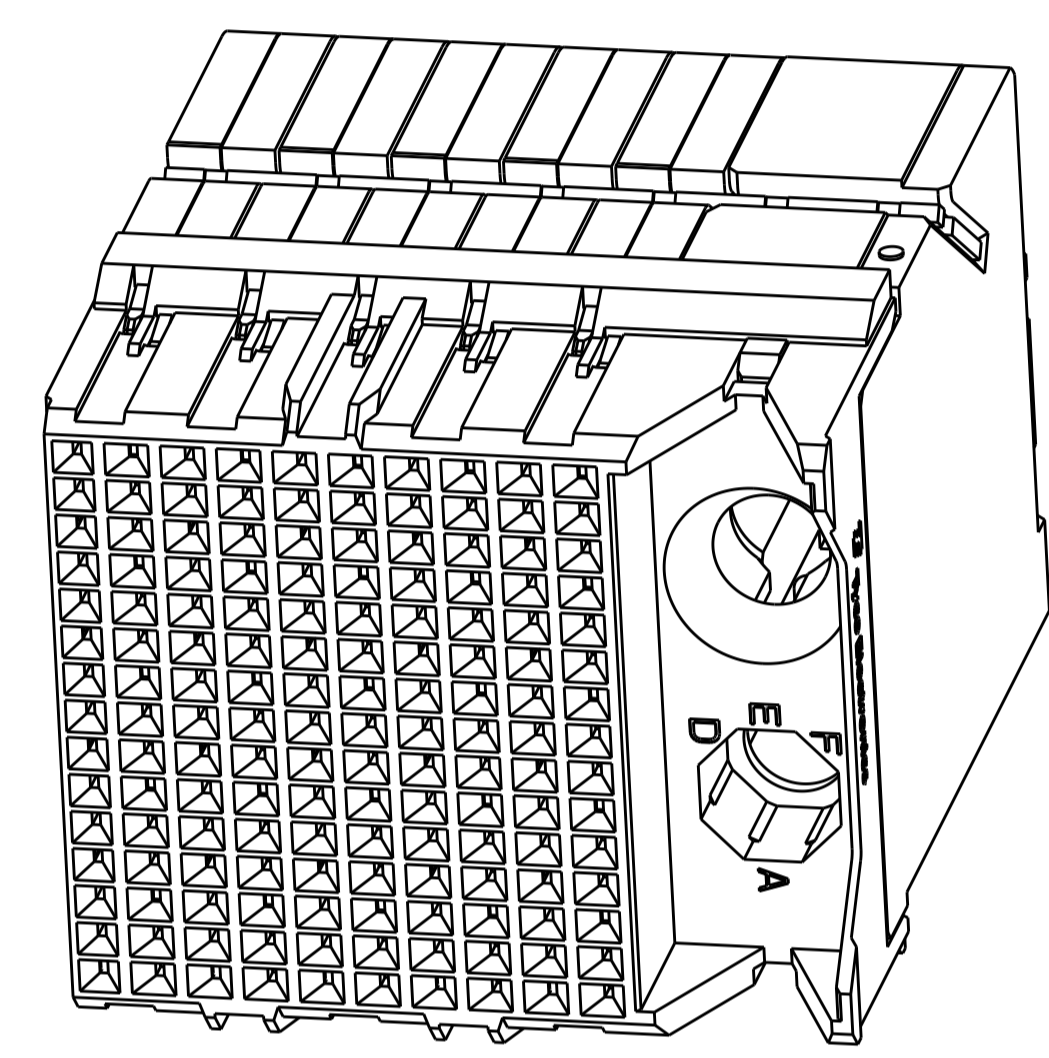
REVISIONS				
P.	LTN	DESCRIPTION	DATE	OWN APVD
C2		REVISED PER ECO-15-004915	09APR2015	AP DD



⚠ MATERIAL:
 HOUSING: LCP, GLASS FILLED, UL94V-0.
 TERMINALS: HIGH PERFORMANCE COPPER ALLOY.

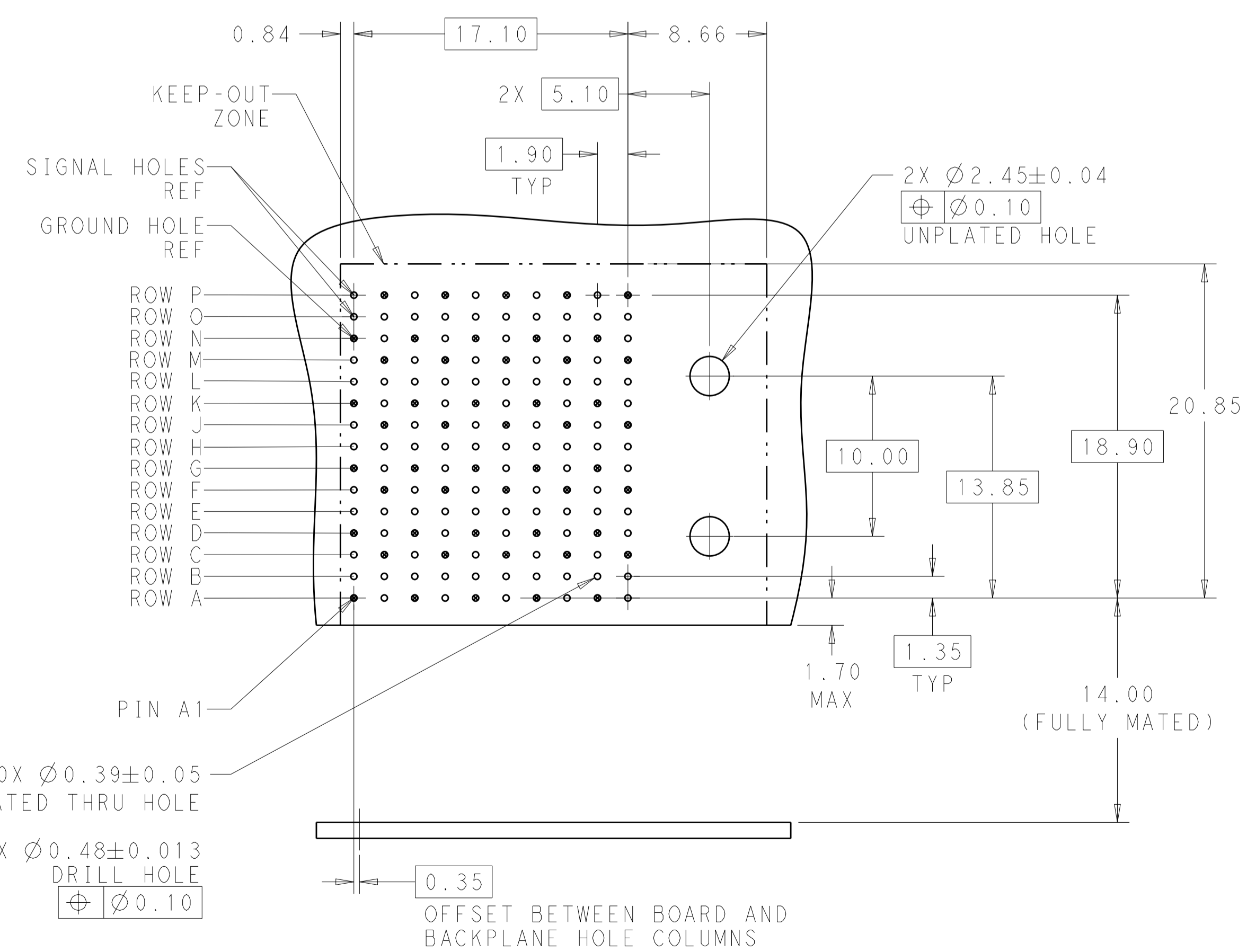
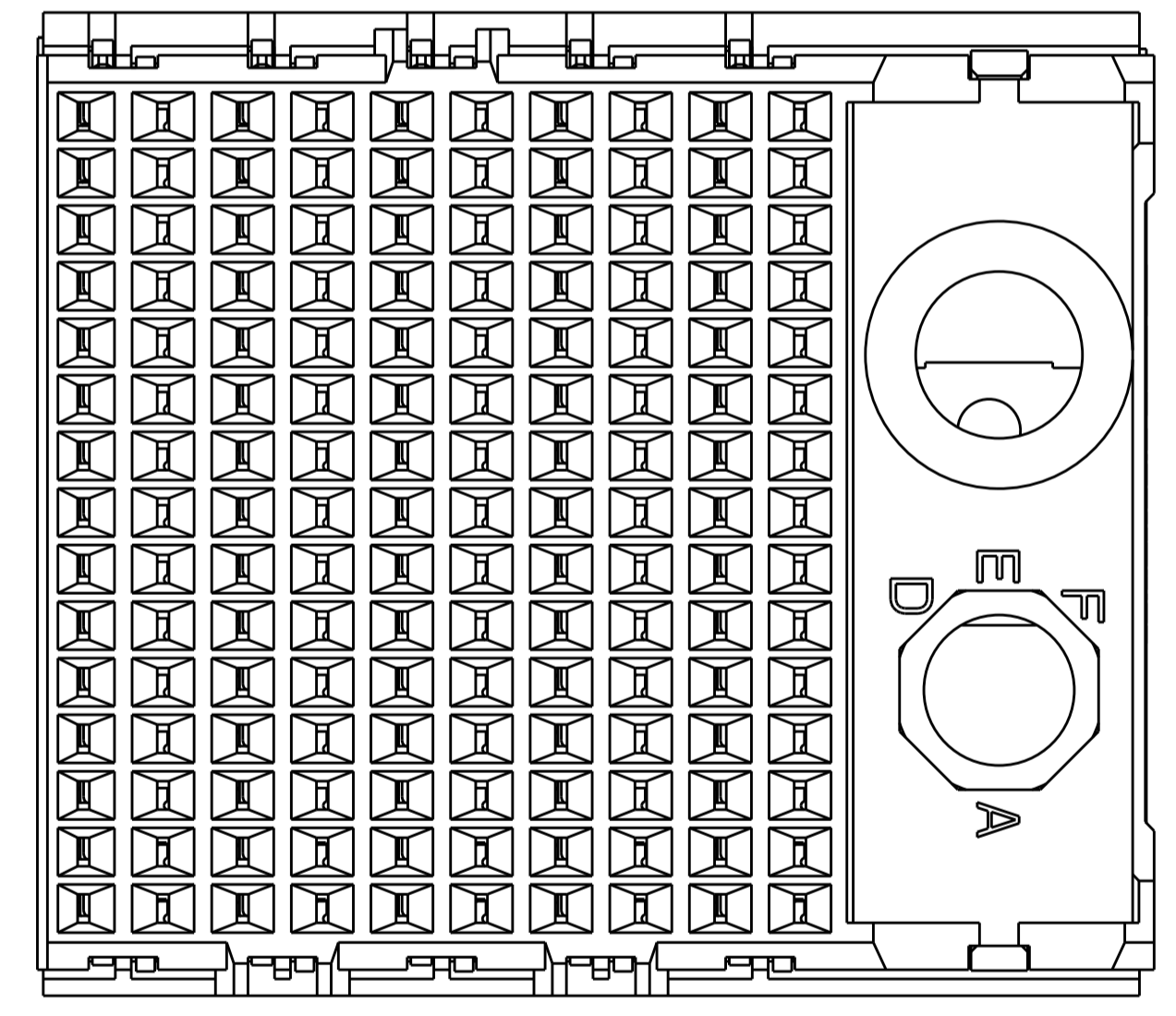
⚠ FINISH:
 30μ" SELECTIVE GOLD IN CONTACT AREA. SELECTIVE TIN ON PCB TAILS, NICKEL OVERALL.

3. CONNECTORS SUPPLIED WITH MOUNTING SCREW.



SCALE 4:1

REFER TO WWW.TE.COM FOR PRODUCT AVAILABILITY



KEY POSITION CHART	
	NONE
	A
	B
	C
	D
	E
	F
	G
	H

KEY POSITION	FINISH	PART NUMBER
H	⚠	8-2110105-1
G	⚠	7-2110105-1
F	⚠	6-2110105-1
E	⚠	5-2110105-1
D	⚠	4-2110105-1
C	⚠	3-2110105-1
B	⚠	2-2110105-1
A	⚠	1-2110105-1
NONE	⚠	2110105-1

150X $\varnothing 0.39 \pm 0.05$ PLATED THRU HOLE
 150X $\varnothing 0.48 \pm 0.013$ DRILL HOLE
 $\varnothing 0.10$

RECOMMENDED PCB LAYOUT
 MIN BOARD THICKNESS 1.0

THIS DRAWING IS A CONTROLLED DOCUMENT.

DIMENSIONS:	TOLERANCES UNLESS OTHERWISE SPECIFIED:	OWN J. K. SHOBER 14FEB2011	NAME
mm	0 PLC ± 1 PLC ±0.2 2 PLC ±0.13 3 PLC ± 4 PLC ± ANGLES ±	CHK D. DIXON 14FEB2011	IMPACT, 5 PAIR, DAUGHTERCARD 10 COLUMN, RIGHT GUIDED, SIGNAL MODULE, 0.39 EYELET
MATERIAL	FINISH SEE TABLE	APVD D. DIXON 14FEB2011	SIZE CAGE CODE DRAWING NO RESTRICTED TO
		WEIGHT	A100779C=2110105
		CUSTOMER DRAWING	SCALE 6:1 SHEET 1 OF 1 REV C2

TE Connectivity