



Chipsmall Limited consists of a professional team with an average of over 10 year of expertise in the distribution of electronic components. Based in Hongkong, we have already established firm and mutual-benefit business relationships with customers from,Europe,America and south Asia,supplying obsolete and hard-to-find components to meet their specific needs.

With the principle of “Quality Parts,Customers Priority,Honest Operation,and Considerate Service”,our business mainly focus on the distribution of electronic components. Line cards we deal with include Microchip,ALPS,ROHM,Xilinx,Pulse,ON,Everlight and Freescale. Main products comprise IC,Modules,Potentiometer,IC Socket,Relay,Connector.Our parts cover such applications as commercial,industrial, and automotives areas.

We are looking forward to setting up business relationship with you and hope to provide you with the best service and solution. Let us make a better world for our industry!



Contact us

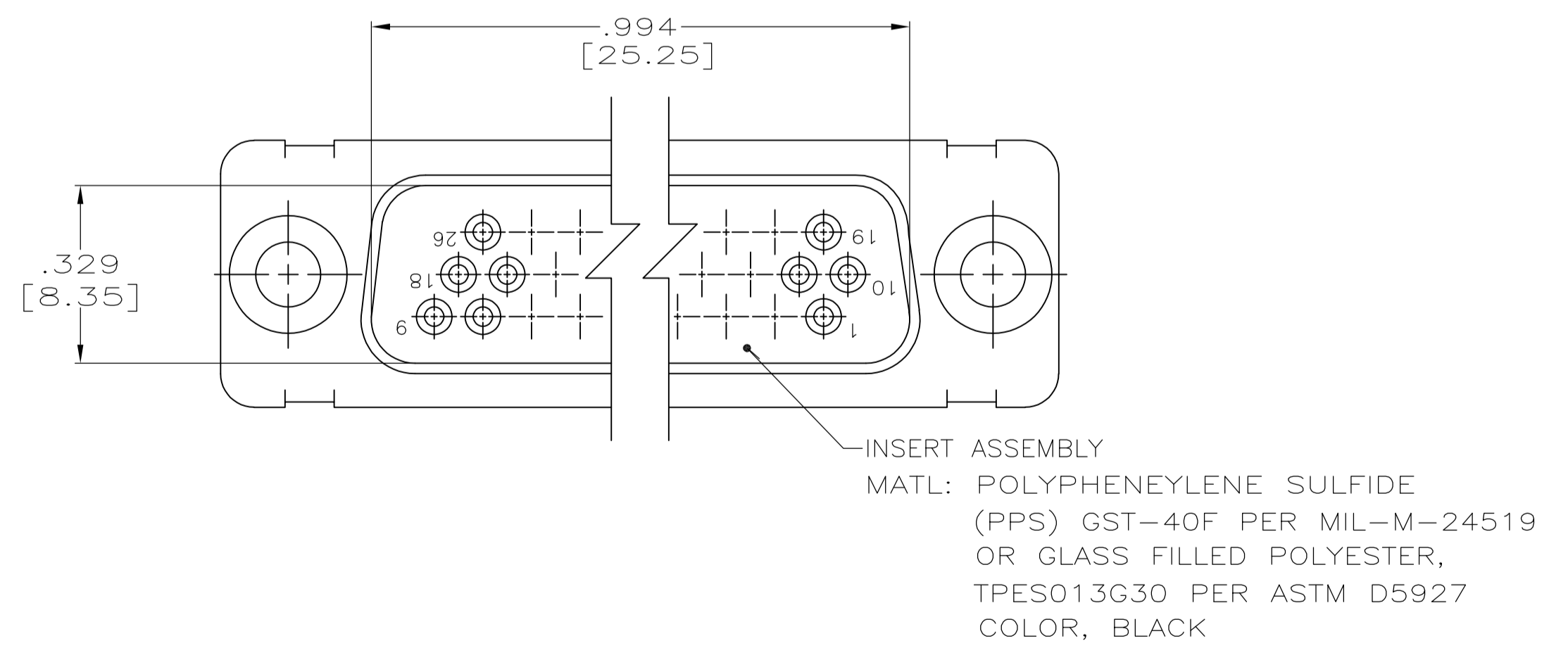
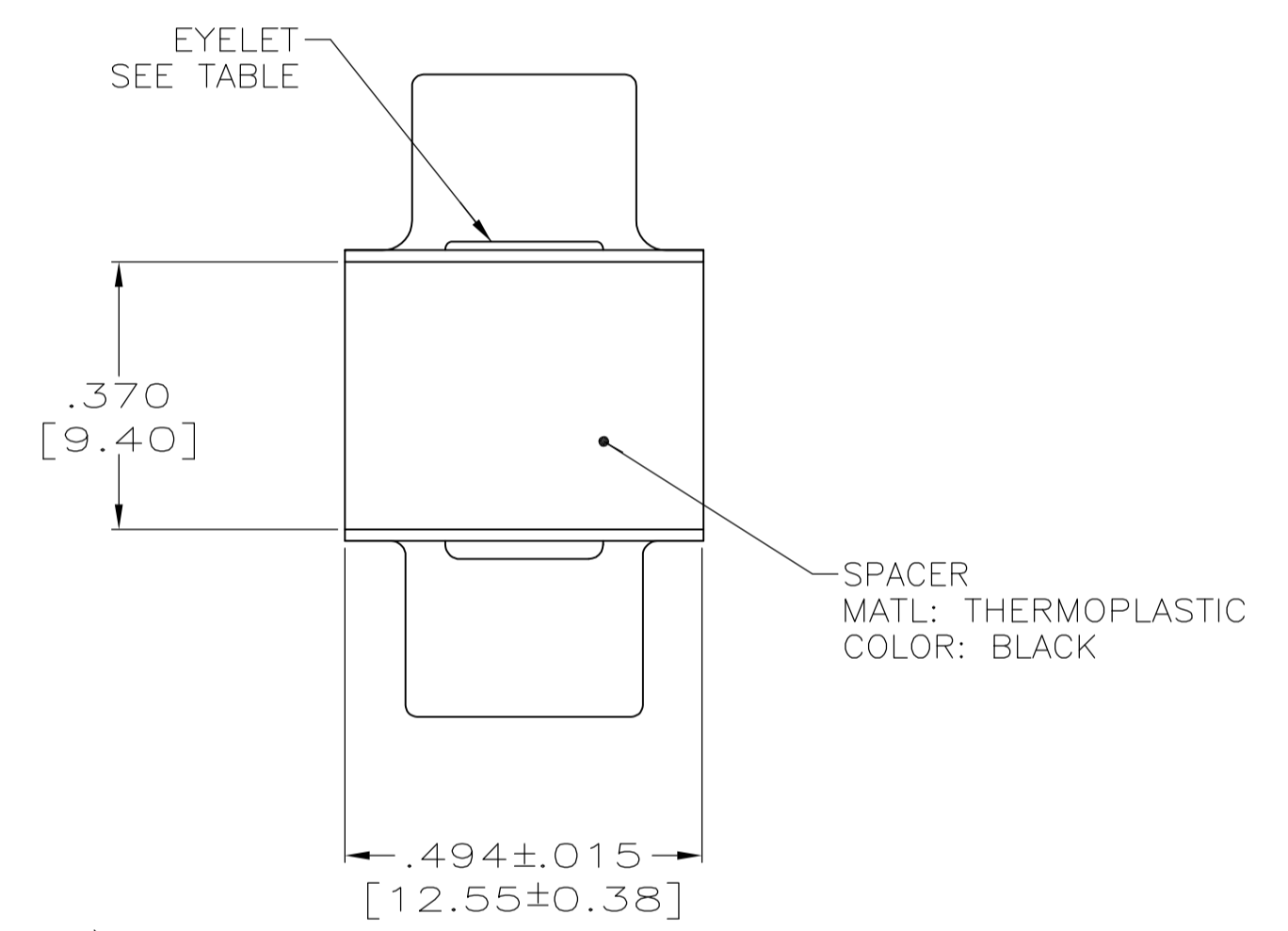
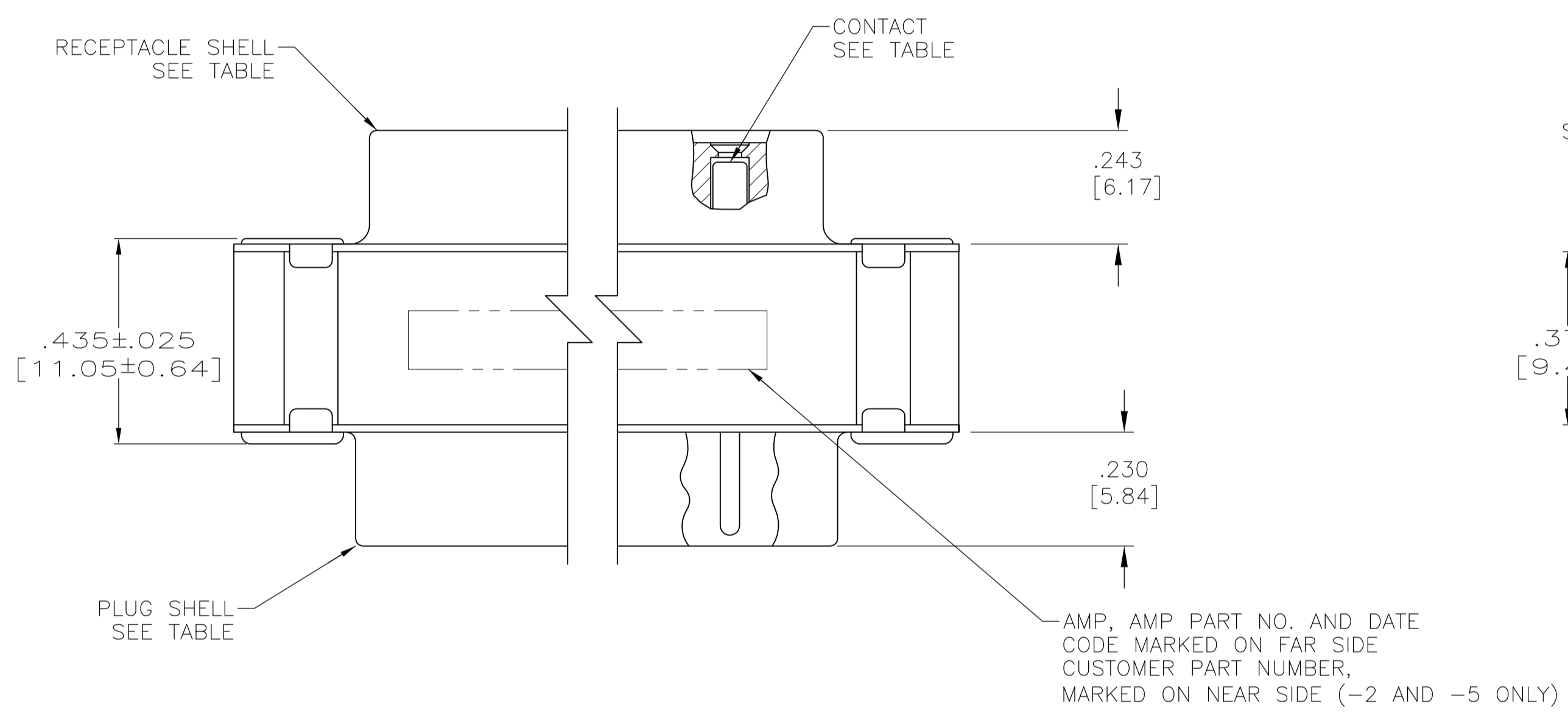
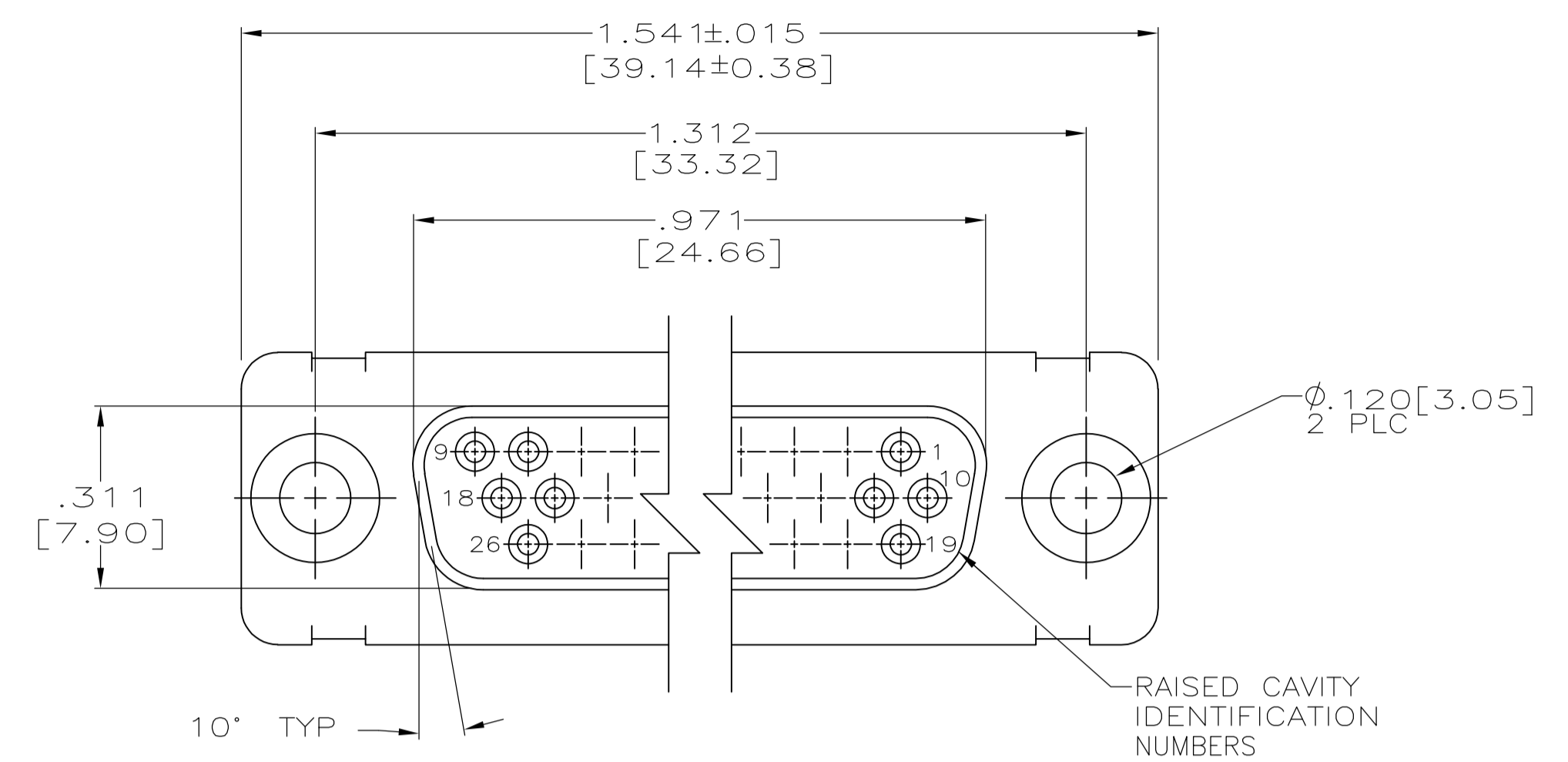
Tel: +86-755-8981 8866 Fax: +86-755-8427 6832

Email & Skype: info@chipsmall.com Web: www.chipsmall.com

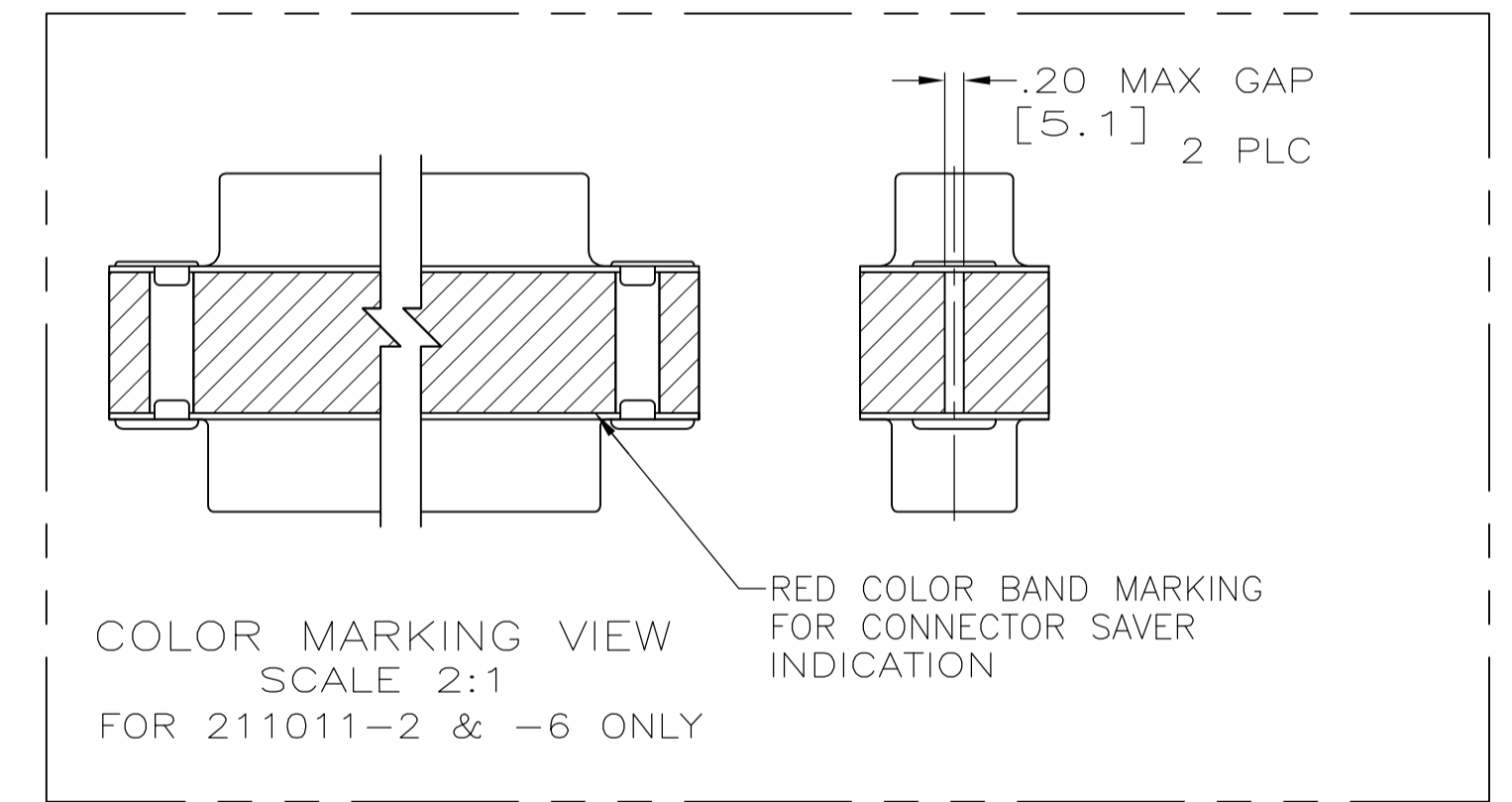
Address: A1208, Overseas Decoration Building, #122 Zhenhua RD., Futian, Shenzhen, China



REVISONS		DATE	BY	APP'D
U	REV PER ECO 13-001184	1-29-13	CT	RL



- CONTACTS INCLUDED IN ASSEMBLY.
 - △ MAT'L: STEEL, PER ASTM-A-109.
 - △ FINISH: CADMIUM PER QQ-P-416.
 - △ MAT'L: BRASS PER ASTM-B-36.
 - △ FINISH: PLATED ZINC .00020 MIN THK PER ASTM-B-633. YELLOW CHROMATE FINISH.
- CONTACT
 - △ BODY MAT'L: BERYLLIUM COPPER PER ASTM-B-197.
 - △ BODY FINISH: PLATED GOLD, .000050 MIN THK PER MIL-G-45204 OVER NICKEL, .000050 MIN THK PER QQ-N-290.
 - △ HOOD MAT'L: STAINLESS STEEL PER ASTM-A-240.
 - △ HOOD FINISH: PASSIVATED PER QQ-P-35.
 - △ FINISH: PLATED GOLD, .000050 MIN THK PER MIL-G-45204 OVER COPPER FLASH.
 - △ FINISH: PLATED GOLD, .000050 MIN THK PER MIL-G-45204 OVER COPPER, .000100 MIN THK PER MIL-C-14550.
- CONTACT
 - △ BODY MAT'L: BERYLLIUM COPPER PER ASTM-B-197.
 - △ BODY FINISH: PLATED GOLD, .000050 MIN THK PER MIL-G-45204 OVER COPPER, .000100 MIN THK PER MIL-C-14550.
 - △ HOOD MAT'L: COPPER ALLOY PER QQ-B-613.
 - △ FINISH: PLATED GOLD, .000050 MIN THK PER MIL-G-45204 OVER COPPER, .000100 MIN THK PER MIL-C-14550.



△ △	△ △	△	4U884 SOCN R10002677-0107	211011-6
△ △	△ △	△	2A091-002W-001	211011-5
△ △	△ △	△	-	211011-4
△ △	△ △	△	-	211011-3
△ △	△ △	△	(1J02-107)	211011-2
△ △	△ △	△	-	211011-1
EYELET	SHELLS	CONTACT	CUSTOMER P/N	PART NO.

THIS DRAWING IS A CONTROLLED DOCUMENT.

DIMENSIONS: INCHES	TOLERANCES UNLESS OTHERWISE SPECIFIED:	DIN C.C.THOMAS 11-3-98	APVD J.NORTON 11-17-98	NAME
0' PLC ± -	1' PLC ± -	2' PLC ± -	3' PLC ± .005 [0.13]	4' PLC ± -
MATERIAL		FINISH		SIZE
				A1
		WEIGHT		SCALE 4:1
		CUSTOMER DRAWING		SHEET 1 OF 1

STE TE Connectivity
 CONNECTOR SAVER,AMPLIMITE 26 POSN.,SIZE 2,SERIES 90
 DRAWING NO. 00779
 PART NO. 211011