



Chipsmall Limited consists of a professional team with an average of over 10 year of expertise in the distribution of electronic components. Based in Hongkong, we have already established firm and mutual-benefit business relationships with customers from,Europe,America and south Asia,supplying obsolete and hard-to-find components to meet their specific needs.

With the principle of “Quality Parts,Customers Priority,Honest Operation,and Considerate Service”,our business mainly focus on the distribution of electronic components. Line cards we deal with include Microchip,ALPS,ROHM,Xilinx,Pulse,ON,Everlight and Freescale. Main products comprise IC,Modules,Potentiometer,IC Socket,Relay,Connector.Our parts cover such applications as commercial,industrial, and automotives areas.

We are looking forward to setting up business relationship with you and hope to provide you with the best service and solution. Let us make a better world for our industry!



## Contact us

Tel: +86-755-8981 8866 Fax: +86-755-8427 6832

Email & Skype: info@chipsmall.com Web: www.chipsmall.com

Address: A1208, Overseas Decoration Building, #122 Zhenhua RD., Futian, Shenzhen, China



4

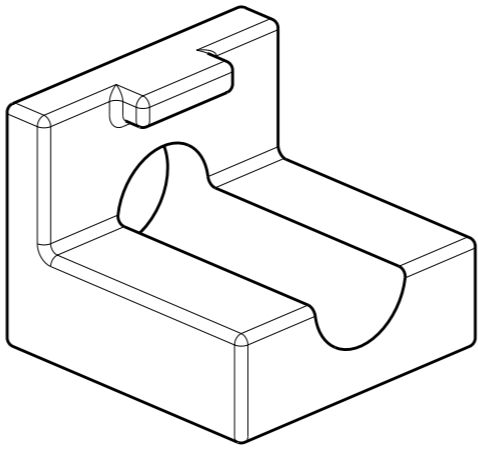
3

2

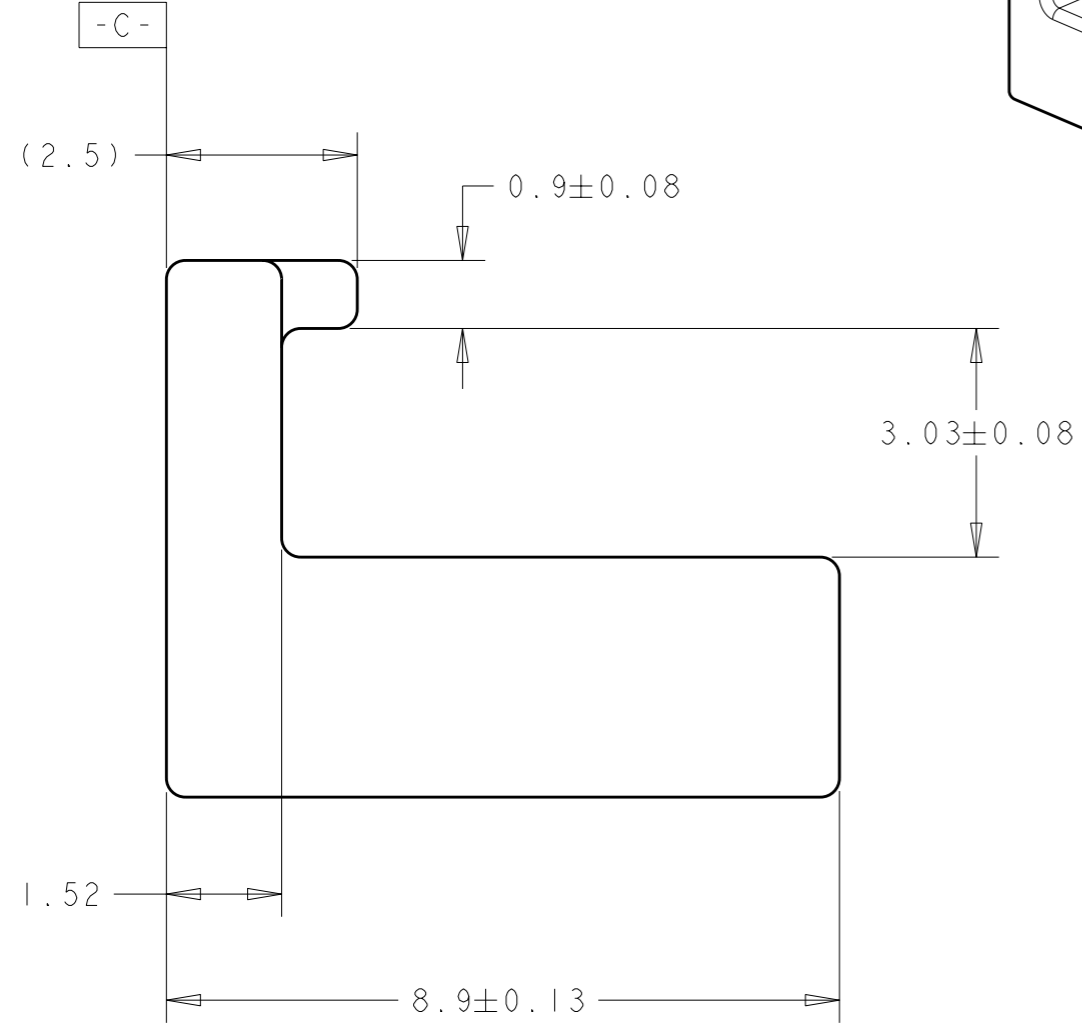
1

THIS DRAWING IS UNPUBLISHED. RELEASED FOR PUBLICATION 20  
 © COPYRIGHT 20 BY - ALL RIGHTS RESERVED.

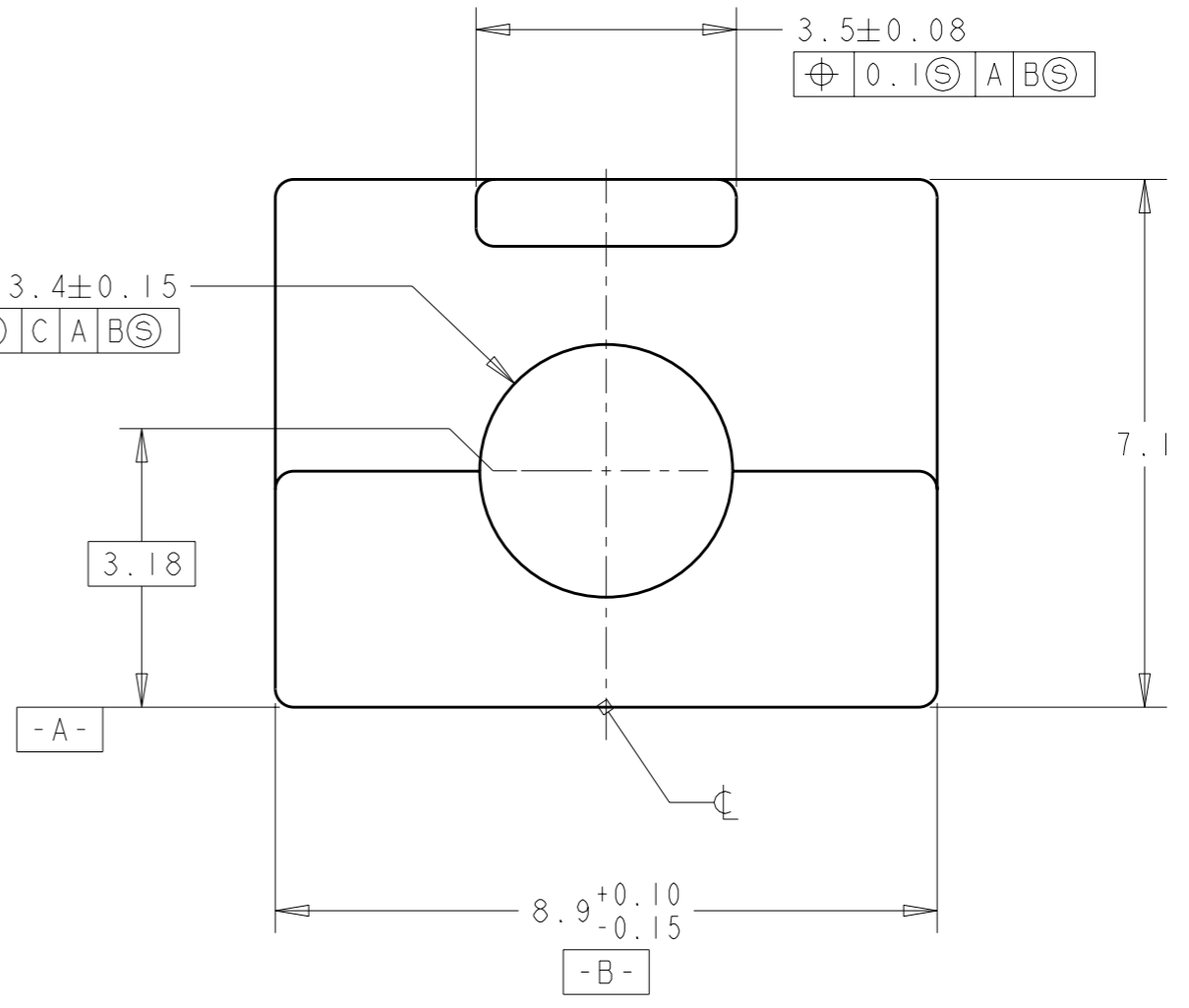
LOC	DIST	REVISIONS			
P	LTR	DESCRIPTION	DATE	DWN	APVD
GP	00	A	RELEASED PER ECO-12-006362	15MAY2012	CJV MRS



SCALE 5:1



Ø 3.4±0.15  
 ⊕ Ø 0.1 ⊕ C A B ⊕



2110255-2  
 PART NUMBER

- ① ZINC ALLOY PER ASTM B 86, ALLOY AG40A
- ② 1.27µm MIN NICKEL PLATE PER QQ-N-290  
 OVER 5.08µm MIN COPPER PLATE PER AMS 2418

THIS DRAWING IS A CONTROLLED DOCUMENT. DIMENSIONING AND TOLERANCING PER ASME Y14.5M-2009		DWN M.E. COWHER 02FEB2009	TE Connectivity	
DIMENSIONS: mm		CHK M.J. PHILLIPS 02FEB2009		
TOLERANCES UNLESS OTHERWISE SPECIFIED:		APVD M.J. PHILLIPS 02FEB2009	NAME INSERT, PLATFORM, GUIDE RAILS, 100 GIG PLUGGABLE	
0 PLC ±0.13 1 PLC ±0.1 2 PLC ±0.05 3 PLC ± 4 PLC ± ANGLES ±		PRODUCT SPEC 108-2399	RESTRICTED TO	
MATERIAL ①		APPLICATION SPEC 114-13263	SIZE A3	CAGE CODE 00779
FINISH ②		WEIGHT -	DRAWING NO C-2110255	REV A
CUSTOMER DRAWING		SCALE 10:1	SHEET 1	OF 1