



Chipsmall Limited consists of a professional team with an average of over 10 year of expertise in the distribution of electronic components. Based in Hongkong, we have already established firm and mutual-benefit business relationships with customers from,Europe,America and south Asia,supplying obsolete and hard-to-find components to meet their specific needs.

With the principle of “Quality Parts,Customers Priority,Honest Operation,and Considerate Service”,our business mainly focus on the distribution of electronic components. Line cards we deal with include Microchip,ALPS,ROHM,Xilinx,Pulse,ON,Everlight and Freescale. Main products comprise IC,Modules,Potentiometer,IC Socket,Relay,Connector.Our parts cover such applications as commercial,industrial, and automotives areas.

We are looking forward to setting up business relationship with you and hope to provide you with the best service and solution. Let us make a better world for our industry!



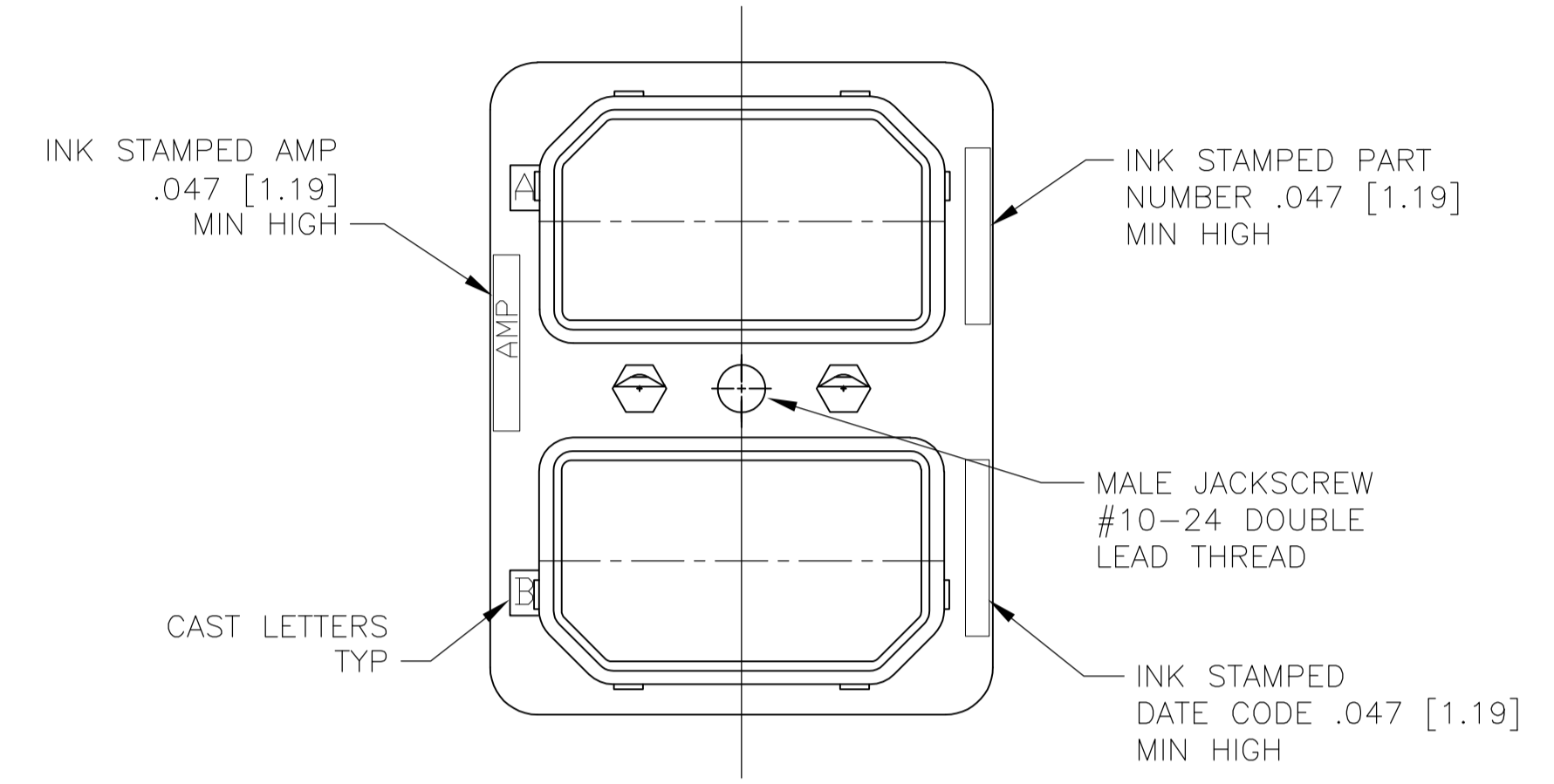
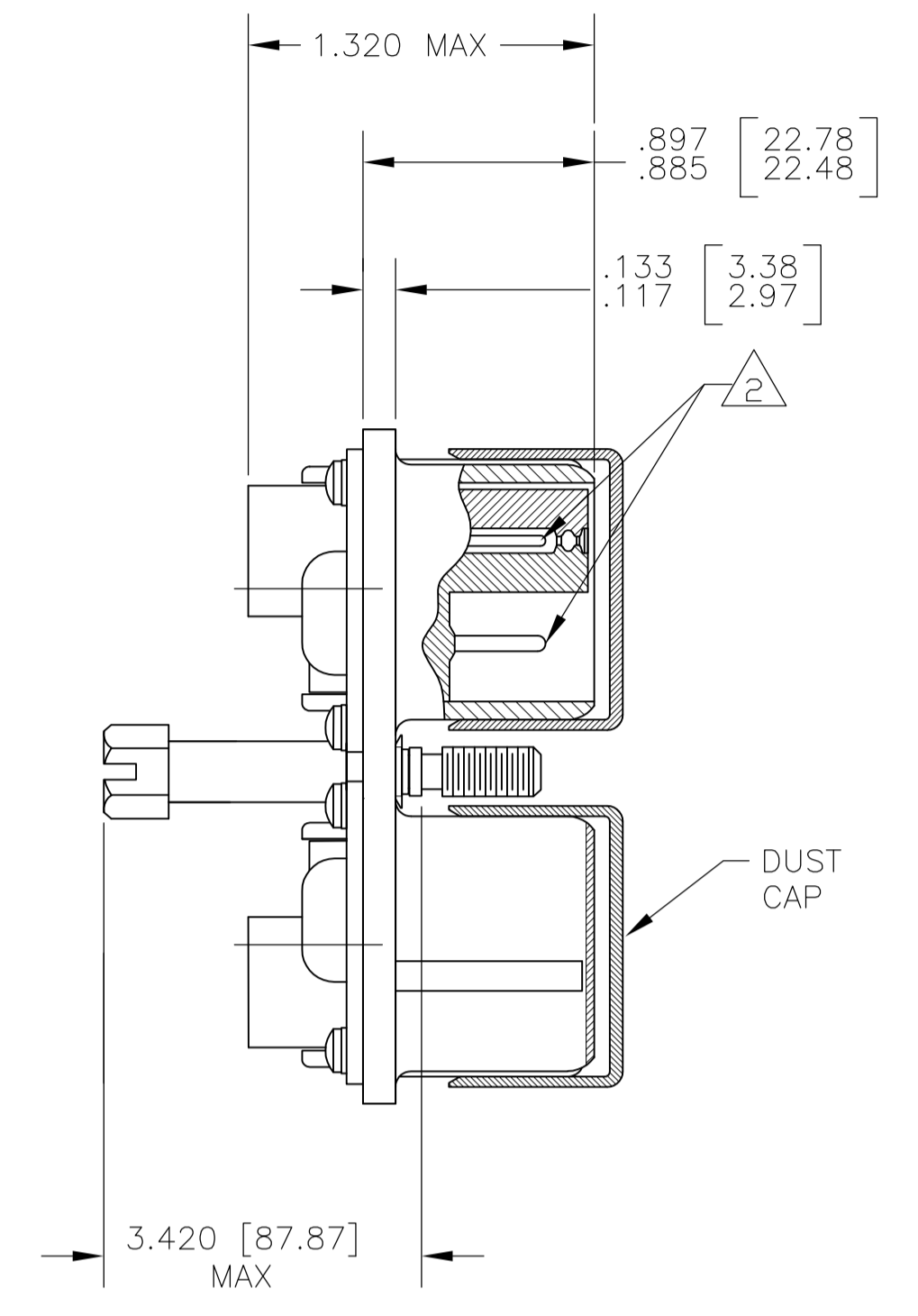
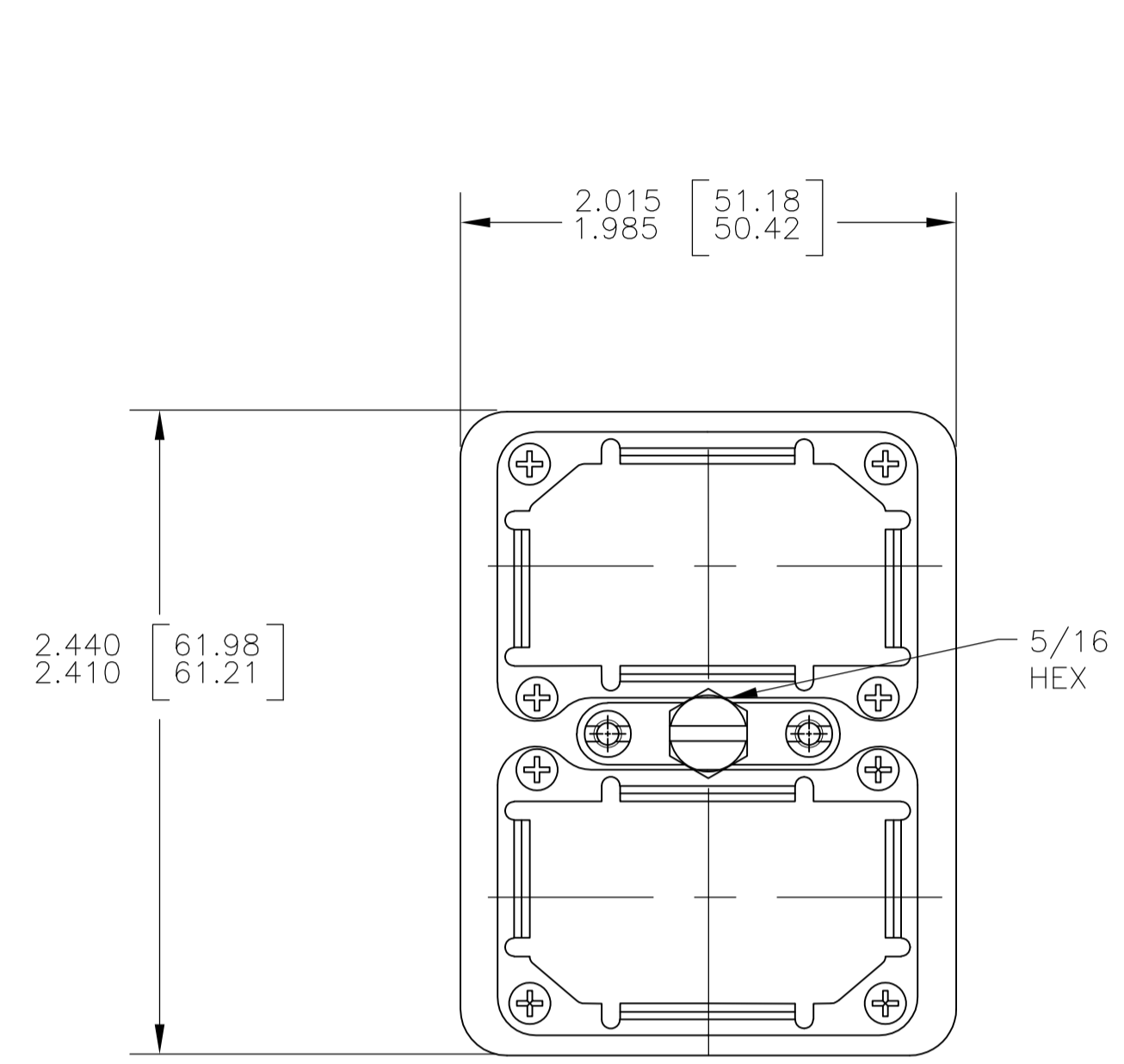
## Contact us

Tel: +86-755-8981 8866 Fax: +86-755-8427 6832

Email & Skype: info@chipsmall.com Web: www.chipsmall.com

Address: A1208, Overseas Decoration Building, #122 Zhenhua RD., Futian, Shenzhen, China





**1 MATERIAL & FINISH**  
 SHELL: DIE CAST ALUM. ALLOY PER FED SPEC QQ-A-591  
 FINISH: CAD. PLATED PER QQ-P-416, TYPE I, CLASS 2  
 YELLOW CHROMATE CONVERSION.  
 INSULATOR, HARD: EPOXY PER MIL-M-24325.  
 INSULATOR, SOFT: FLUOROSILICONE RUBBER, COLOR: BLUE.  
 GROMMET PROTECTOR: ALUM. ALLOY, FINISH: BLUE EPOXY.  
 SCREWS AND WASHERS: STAINLESS STEEL, PASSIVATE  
 MALE JACKSCREW: STAINLESS STEEL  
 POLARIZING POSTS AND NUTS: STAINLESS STEEL  
 DUST CAP: CLEAR VINYL

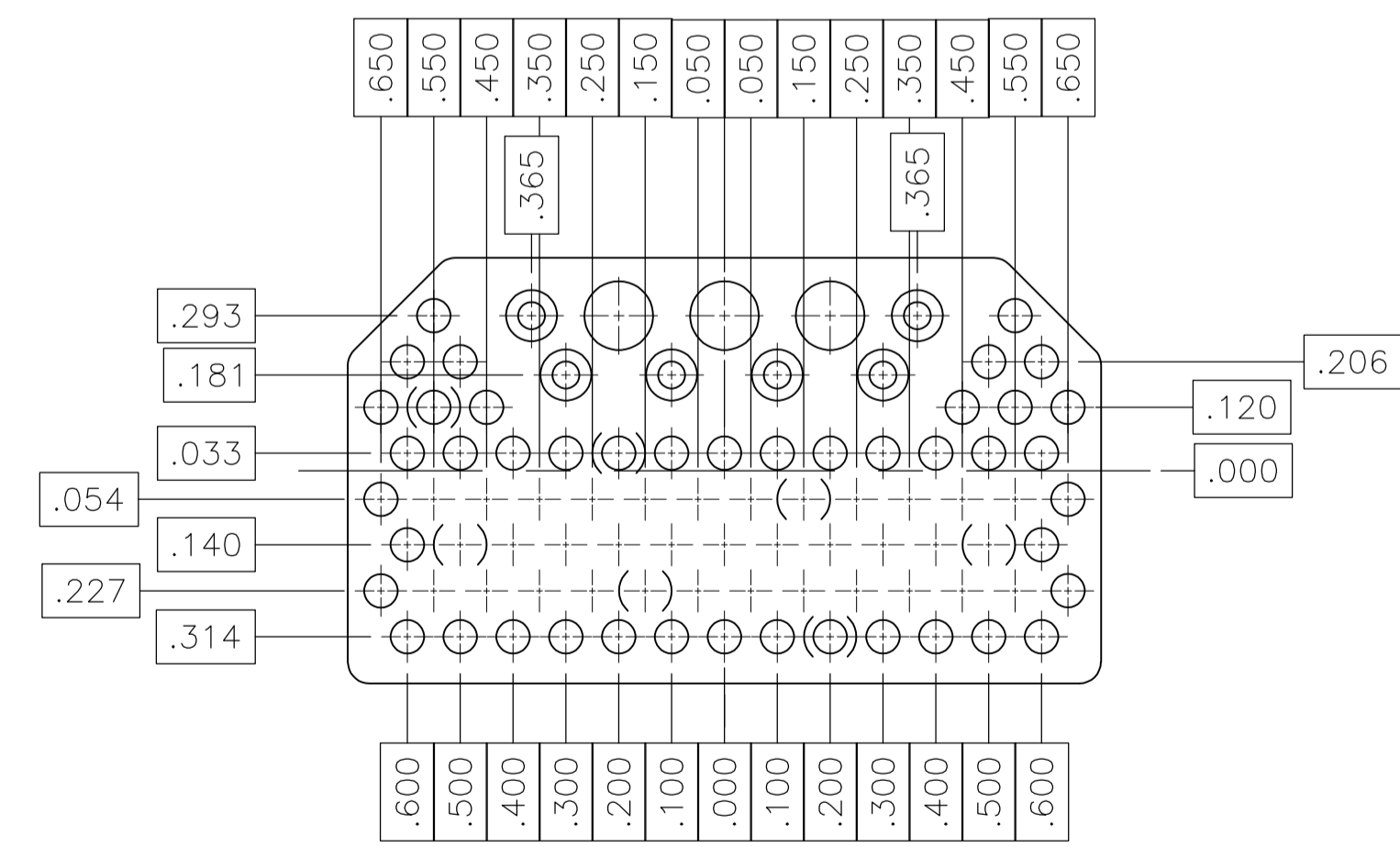
**2 CONTACTS SHOWN IN POSITION FOR ILLUSTRATION ONLY, ARE INCLUDED IN A CONTAINER WITHIN CONNECTOR PACKAGE FOR SHIPMENT.**

3. CONNECTOR MEETS AMP PRODUCT SPEC 108-10,019.

4. ALL METRIC DIMENSIONS ARE SHOWN IN PARENTHESIS.

5. CONTACTS NOT INCLUDED AND MUST BE ORDERED SEPARATELY (-1 ASSY)

**6 SAME AS -1 EXCEPT: CONTACTS, TOOLS AND SEALING PLUGS INCLUDED.**



○ INDICATES SIZE 22 CAVITIES (79 PLACES)  
 ⊙ INDICATES SIZE 20 CAVITIES (6 PLACES)  
 ⊚ INDICATES SIZE 16 CAVITIES ( 3 PLACES)

PART NO.	ARRANGEMENTS	
	MODULE A	MODULE B
211027-2	88S	88S
211027-1	88S	88S

THIS DRAWING IS A CONTROLLED DOCUMENT. **TERESA HECK** 4-2-82  
 CHK 4-27-82  
 APVD **L. LAWYER** 4-27-82  
 NAME **PLUG CONNECTOR INSTALLATION (WITH CENTER MALE JACKSCREW)**  
 PRODUCT SPEC  
 APPLICATION SPEC  
 SIZE **A1** CAGE CODE **00779** DRAWING NO. **211027** RESTRICTED TO  
 WEIGHT  
 MATERIAL **1** FINISH **1** CUSTOMER DRAWING SCALE 1:1 SHEET 1 OF 1 REV F