



Chipsmall Limited consists of a professional team with an average of over 10 year of expertise in the distribution of electronic components. Based in Hongkong, we have already established firm and mutual-benefit business relationships with customers from,Europe,America and south Asia,supplying obsolete and hard-to-find components to meet their specific needs.

With the principle of “Quality Parts,Customers Priority,Honest Operation,and Considerate Service”,our business mainly focus on the distribution of electronic components. Line cards we deal with include Microchip,ALPS,ROHM,Xilinx,Pulse,ON,Everlight and Freescale. Main products comprise IC,Modules,Potentiometer,IC Socket,Relay,Connector.Our parts cover such applications as commercial,industrial, and automotives areas.

We are looking forward to setting up business relationship with you and hope to provide you with the best service and solution. Let us make a better world for our industry!



Contact us

Tel: +86-755-8981 8866 Fax: +86-755-8427 6832

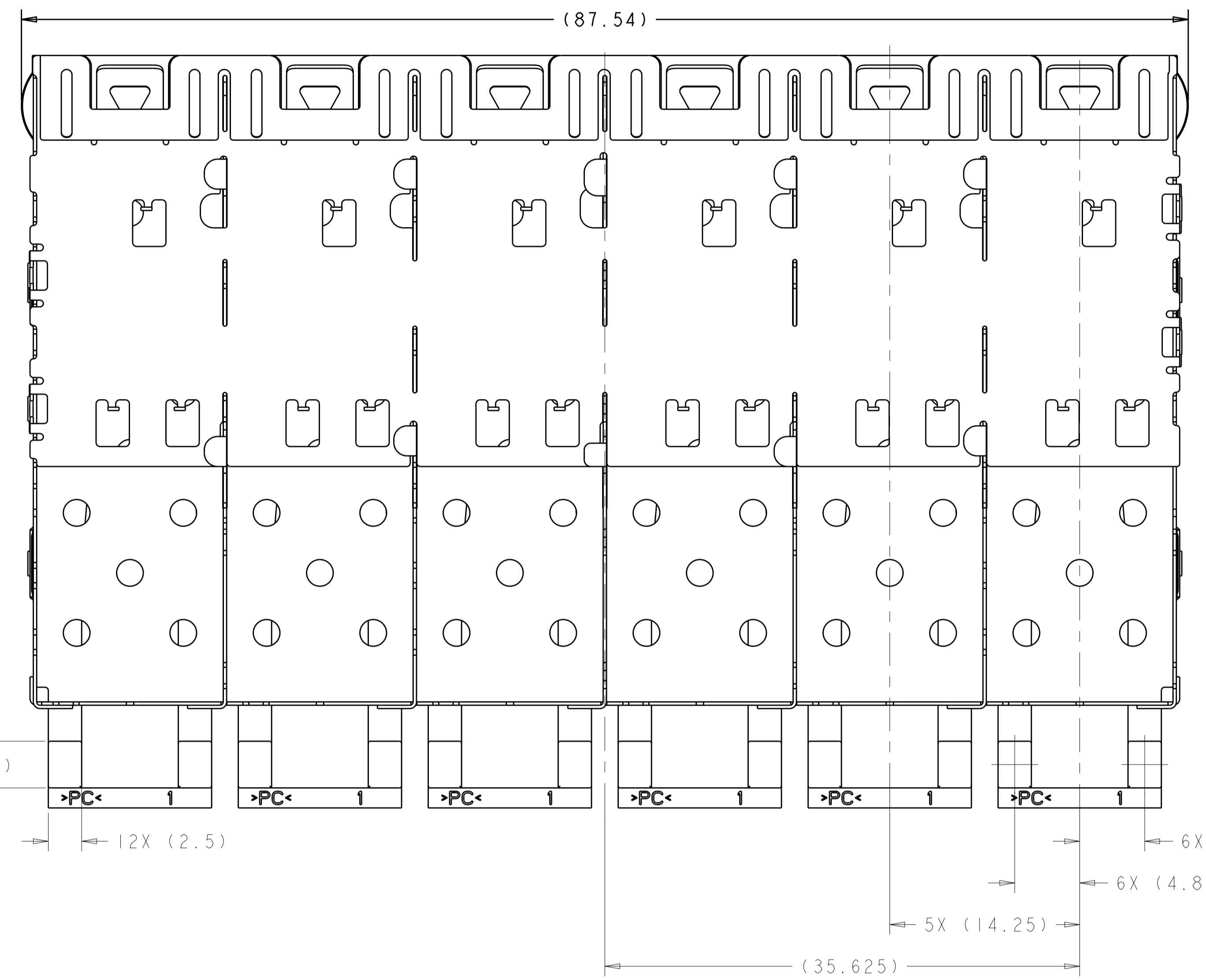
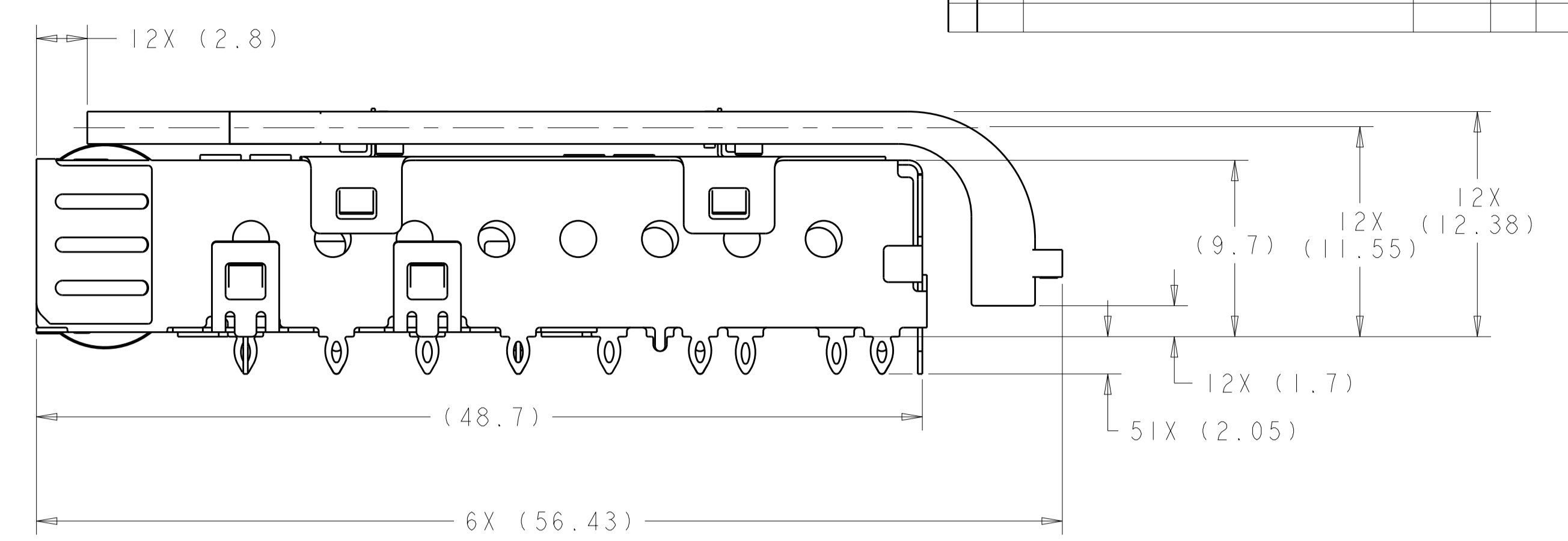
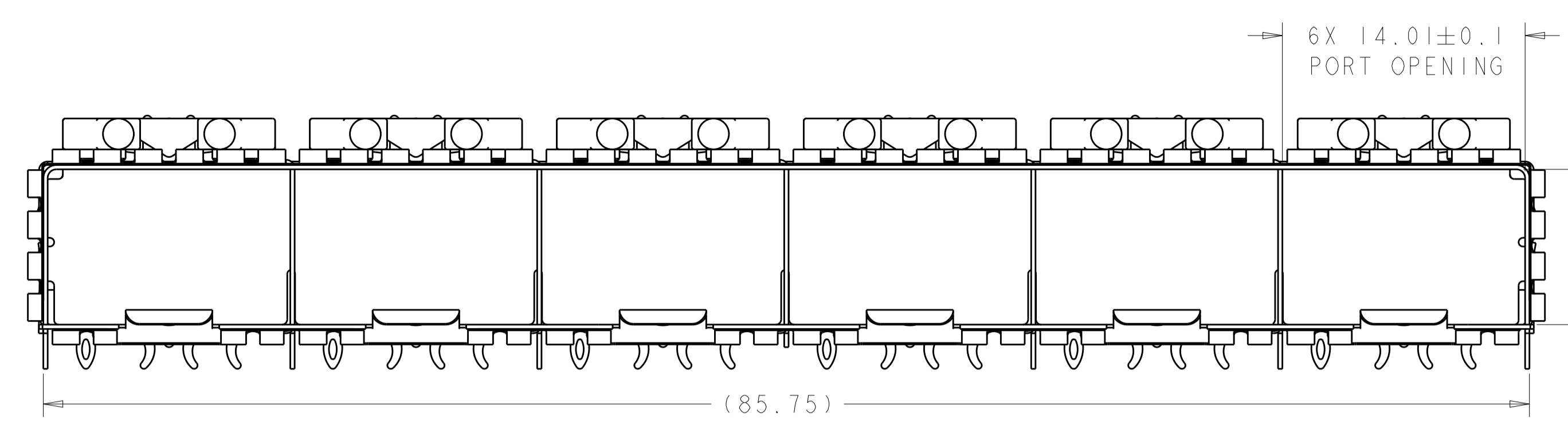
Email & Skype: info@chipsmall.com Web: www.chipsmall.com

Address: A1208, Overseas Decoration Building, #122 Zhenhua RD., Futian, Shenzhen, China

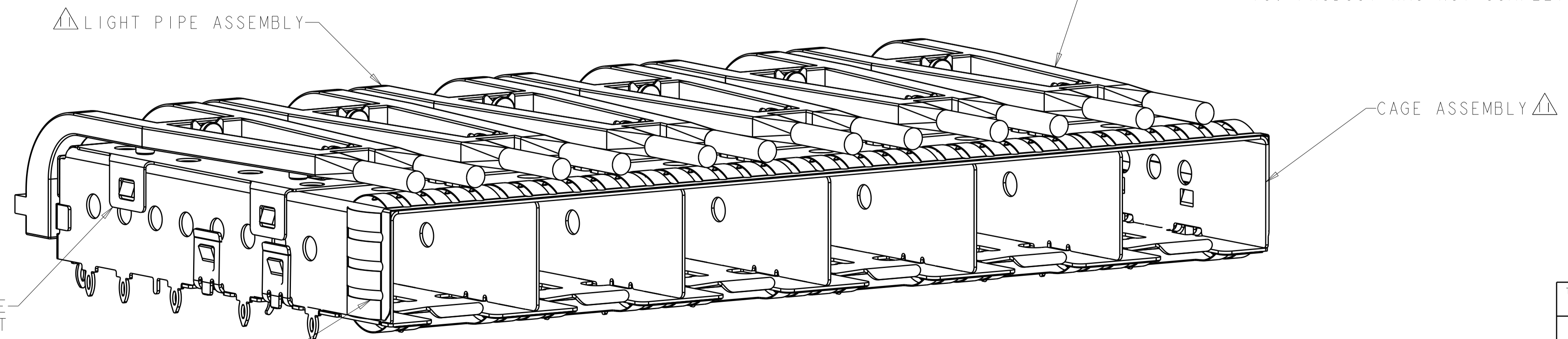


GP 00

REVISIONS				
REV	DATE	DESCRIPTION	BY	CHK
A	26FEB2016	RELEASED	JW	SH



- 1. MATERIAL:
CAGE ASSEMBLY: 0.25mm THICK NICKEL SILVER ALLOY.
LIGHT PIPE CLIP: STAINLESS STEEL
LIGHT PIPE: POLYCARBONATE, CLEAR
- 2. FINISH:
SPRINGS: MINIMUM OF 0.8um TIN PLATE OVER A MINIMUM OF 0.8um NICKEL UNDERPLATE.
NON-PLATED EDGES PERMISSIBLE.
- 3. MATES WITH SFP MSA COMPLIANT TRANSCEIVERS.
- 4. PADS AND VIAS CHASSIS GROUND.
- 5. INTERPRETATION OF DATUM REFERENCE FRAME IN ACCORDANCE WITH SECT 4.4.1.1 OF ASME Y14.5M-1994.
- 6. MINIMUM PCB BOARD THICKNESS:
SINGLE SIDED = 1.50
DOUBLE SIDED = 2.25
- 7. HOLE PATTERN REPEATS FOR EACH PORT. SPACING BETWEEN PORTS IS 14.25mm.
- 8. DATUM AND BASIC DIMENSION ESTABLISHED BY CUSTOMER.
- 9. REFERENCE APPLICATION SPEC. 114-13120, HOLE A, FOR RECOMMENDED DRILL HOLE DIAMETER AND PLATING THICKNESS.
- 10. REFERENCE APPLICATION SPEC. 114-13120, HOLE B, FOR RECOMMENDED DRILL HOLE DIAMETER AND PLATING THICKNESS.
- 11. LIGHT PIPE ASSEMBLY SHIPPED UNASSEMBLED TO CAGE ASSEMBLY. CAGE ASSEMBLY TO BE PRESSED INTO THE PCB PRIOR TO ATTACHING THE LIGHT PIPE ASSEMBLY TO THE CAGE.
- 12. CERTAIN MATING TRANSCEIVERS MAY REQUIRE ADDITIONAL PCB THICKNESS THAT WOULD NEED TO BE DETERMINED BY THE CUSTOMER.
- 13. PRODUCT HAS NOT COMPLETED VALIDATION/QUALIFICATION TESTING.



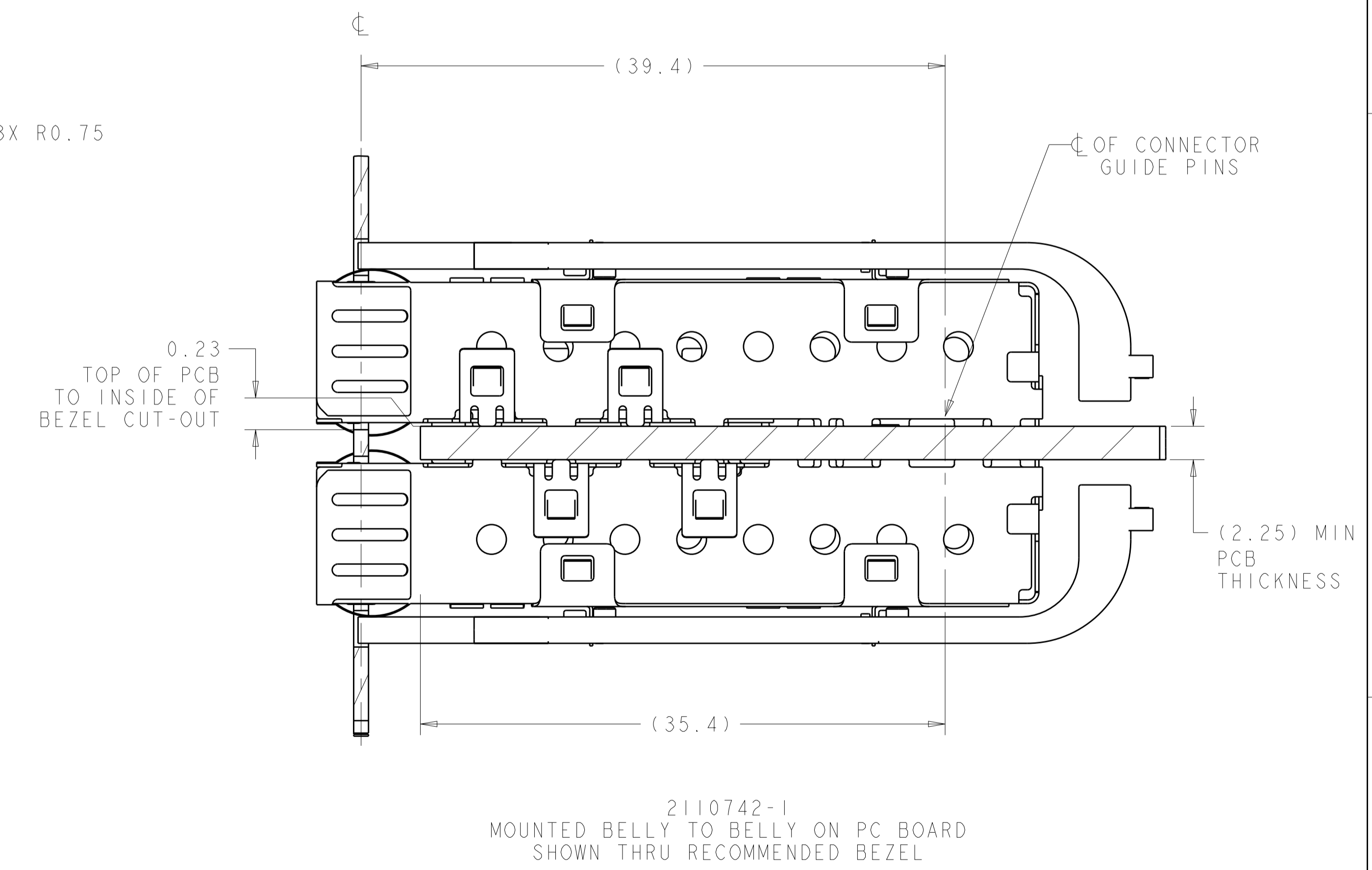
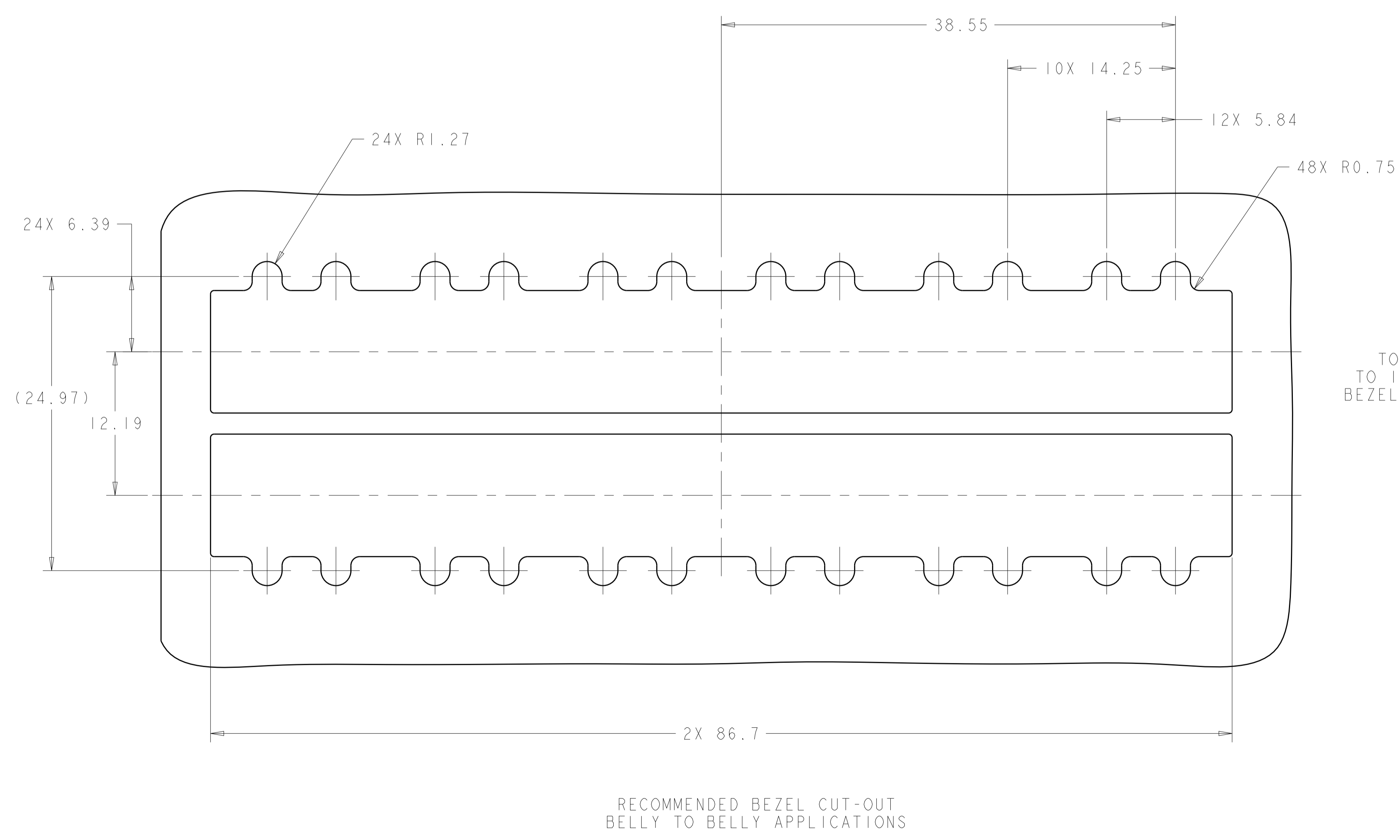
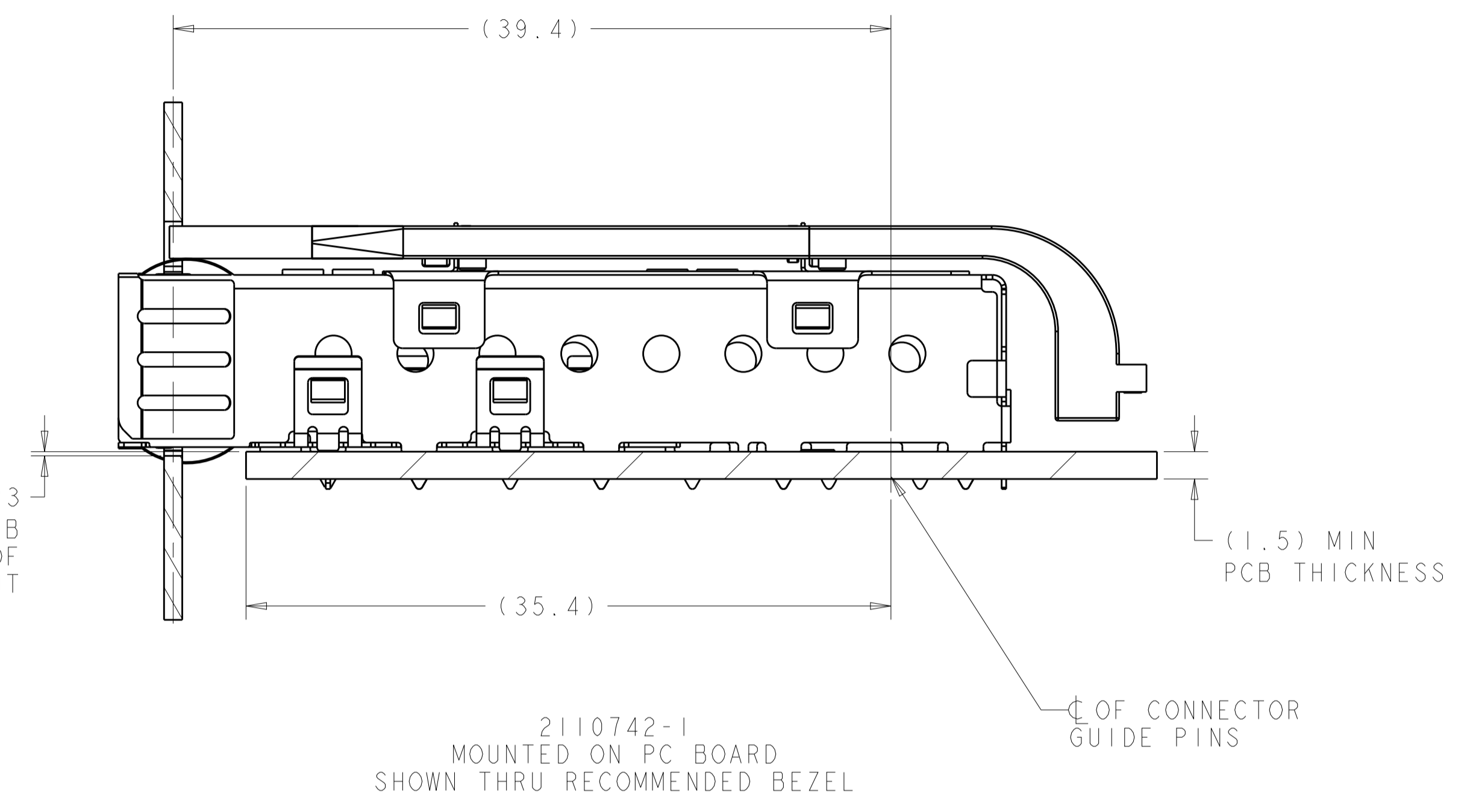
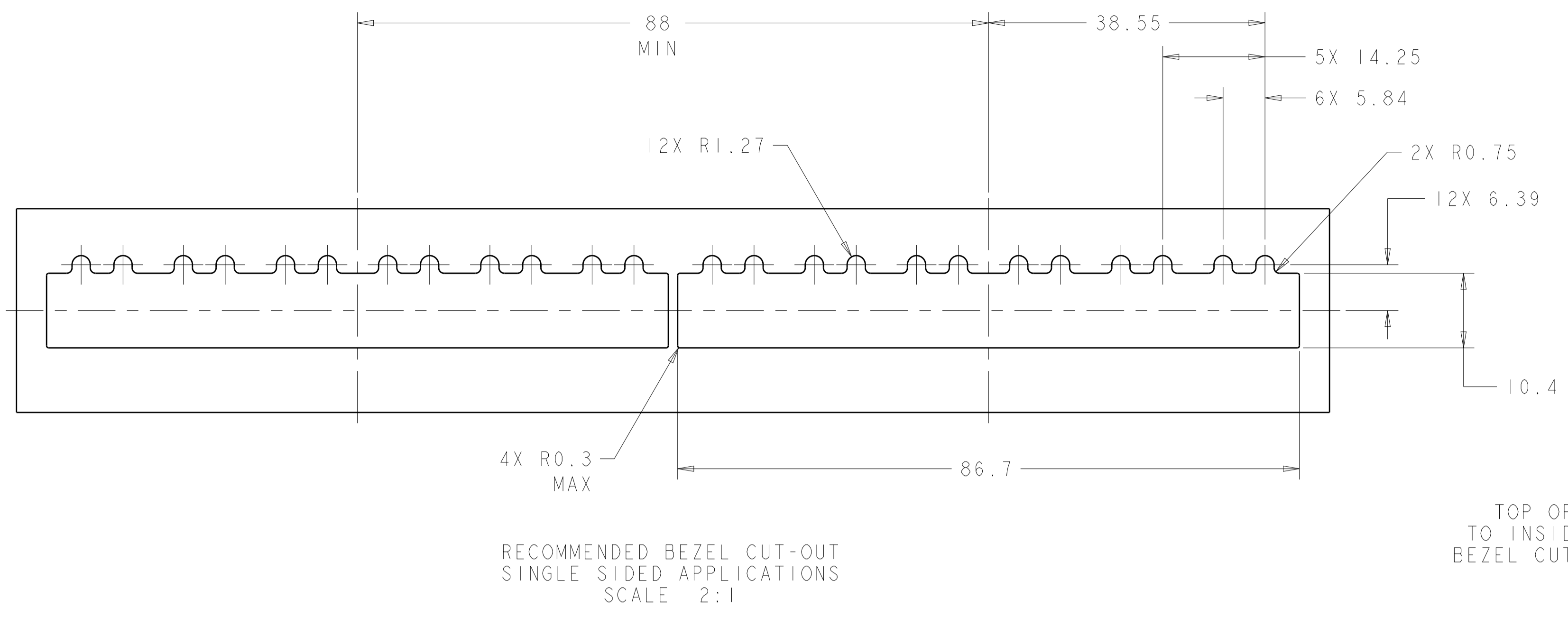
2110742-1
FINISHED ASSEMBLY
SCALE 4:1

2110742-1
PART NUMBER

THIS DRAWING IS A CONTROLLED DOCUMENT.		OWN: C. ROHLER 03JUN2009	TE Connectivity	
DIMENSIONS: mm		CHK: M. SCHMITT 03JUN2009	NAME: SFP+ 1X6 CAGE ASSEMBLY PRESS FIT, EXTERNAL EMI SPRINGS WITH LOW PROFILE LIGHT PIPES	
TOLERANCES UNLESS OTHERWISE SPECIFIED:		APP'D: B. WERTZ 03JUN2009	PRODUCT SPEC: 108-2364	
0 PLC ±0.1		APPLICATION SPEC: 114-13120		
1 PLC ±0.1		SIZE: A1		
2 PLC ±0.1		CAGE CODE: C=2110742		
3 PLC ±0.1		DRAWING NO: 2110742		
4 PLC ±0.1		RESTRICTED TO: Customer Drawing		
ANGLES ±0.1		SCALE: 2:1		
FINISH: ±1°		SHEET: 1 of 4		
MATERIAL: △		REV: A		
FINISH: △				

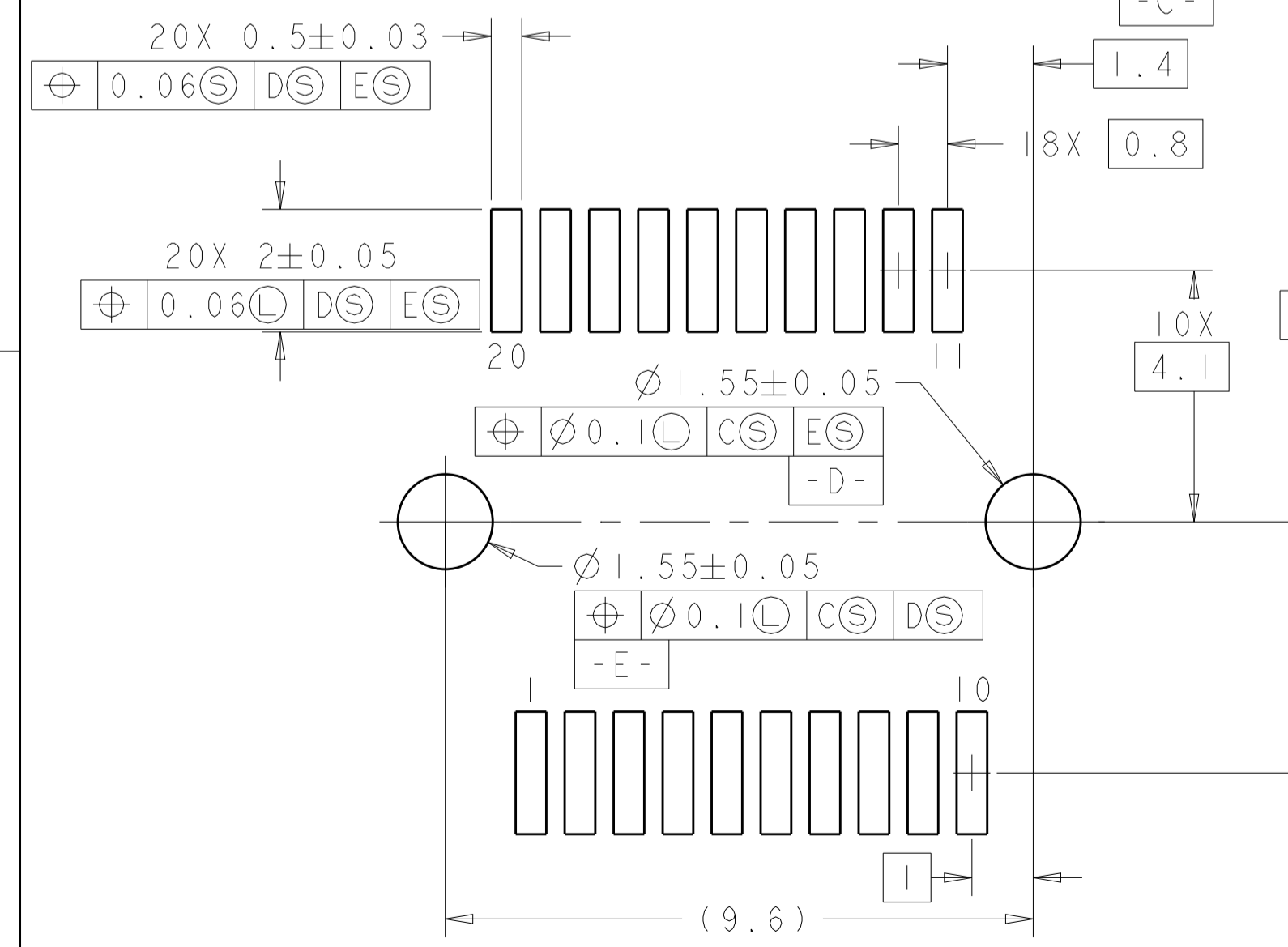
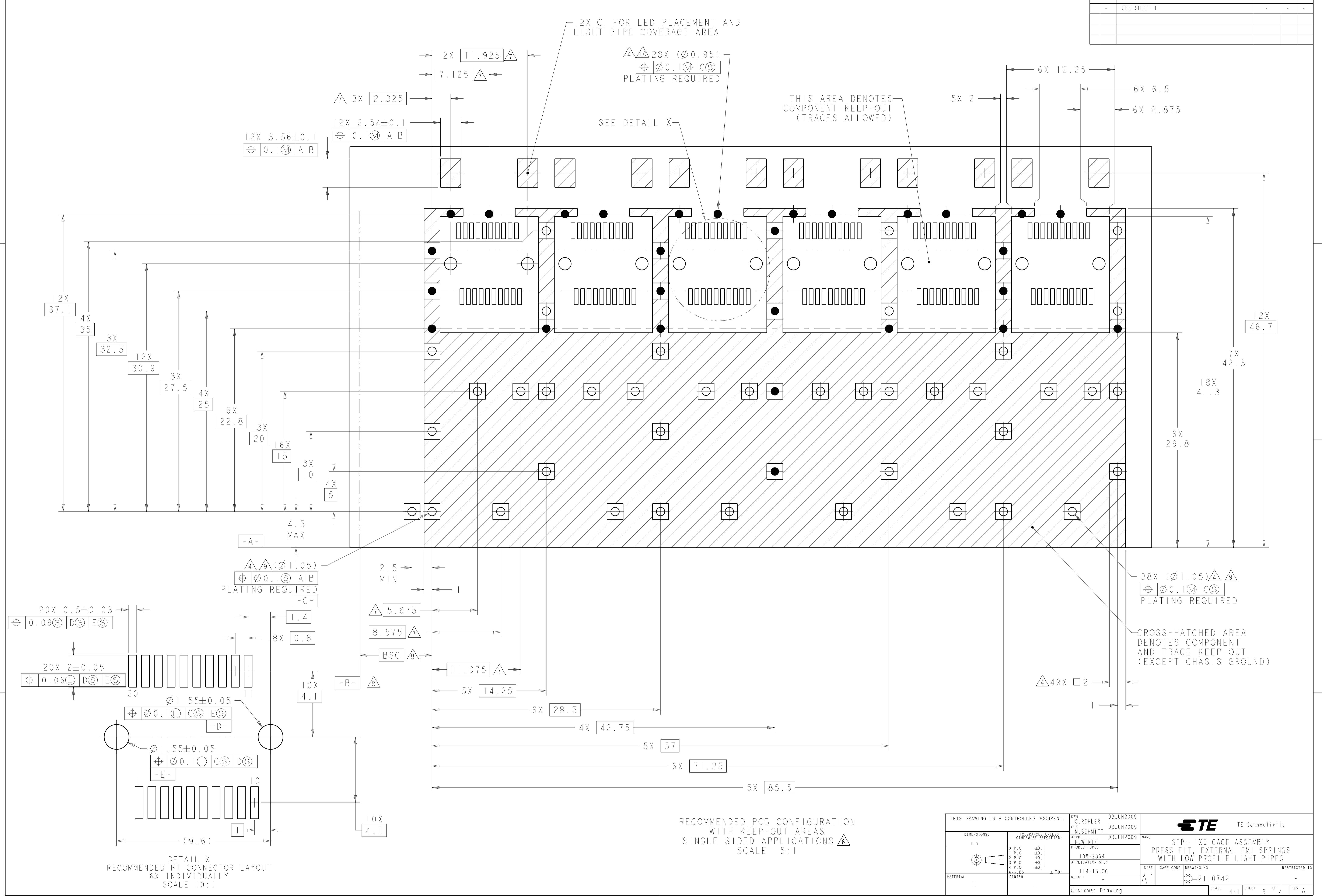
GP 00

REVISIONS				
REV	DATE	DESCRIPTION	BY	APP'D
-	-	SEE SHEET 1	-	-



THIS DRAWING IS A CONTROLLED DOCUMENT.		DWN C. ROHLER 03JUN2009 CHK M. SCHMITT 03JUN2009 APVD B. WERTZ 03JUN2009	TE Connectivity
DIMENSIONS: mm	TOLERANCES UNLESS OTHERWISE SPECIFIED: 0 PLC ±0.1 1 PLC ±0.1 2 PLC ±0.1 3 PLC ±0.1 4 PLC ±0.1 ANGLES ±1°	NAME SFP+ 1X6 CAGE ASSEMBLY PRESS FIT, EXTERNAL EMI SPRINGS WITH LOW PROFILE LIGHT PIPES PRODUCT SPEC 108-2364 APPLICATION SPEC 114-13120 WEIGHT - Customer Drawing	
MATERIAL -		SIZE A1 CAGE CODE - DRAWING NO. C=2110742 SCALE 4:1 SHEET 2 OF 4 REV A	RESTRICTED TO

REVISIONS				
REV	DATE	BY	APPV	DESCRIPTION
-	-	-	-	SEE SHEET 1

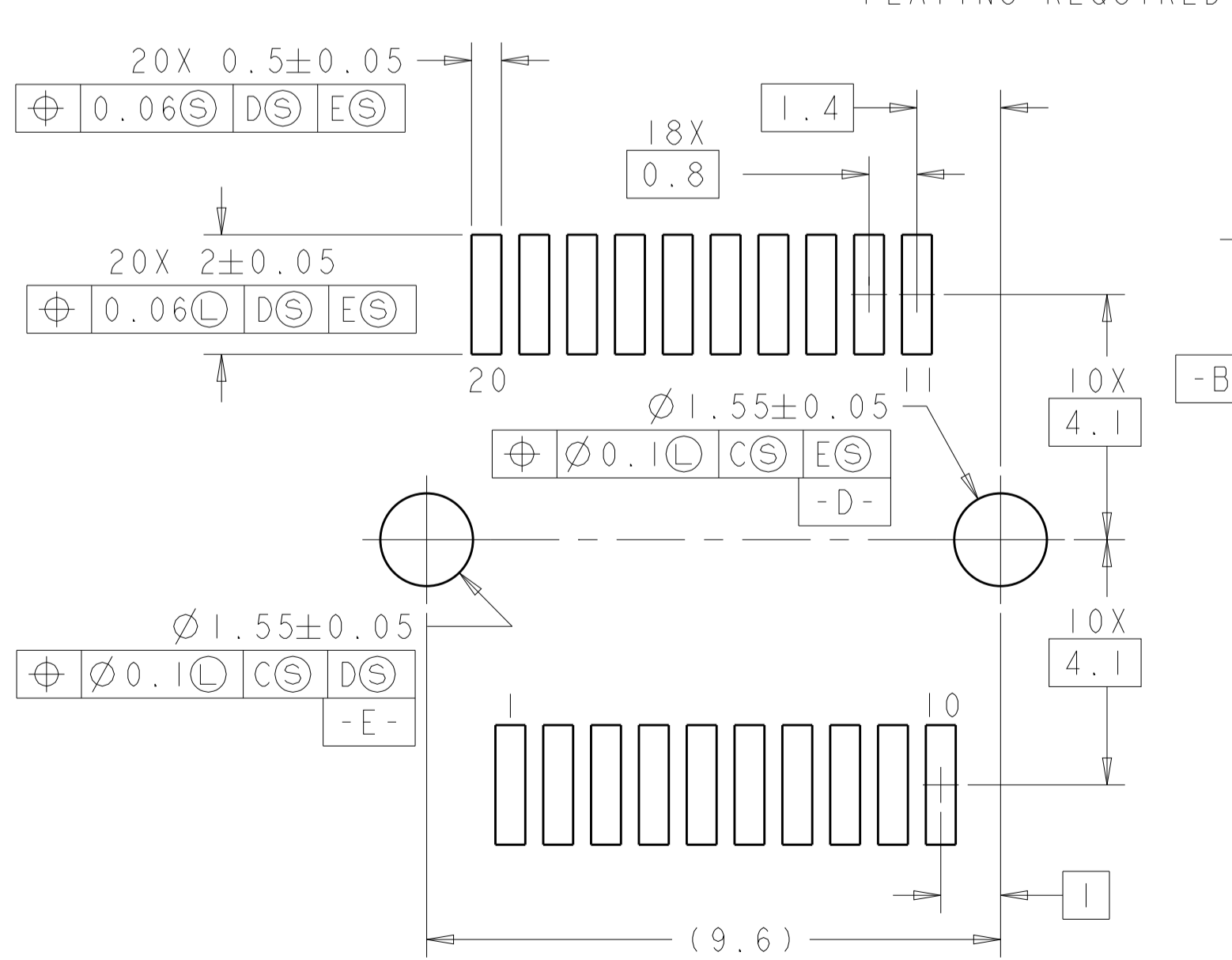
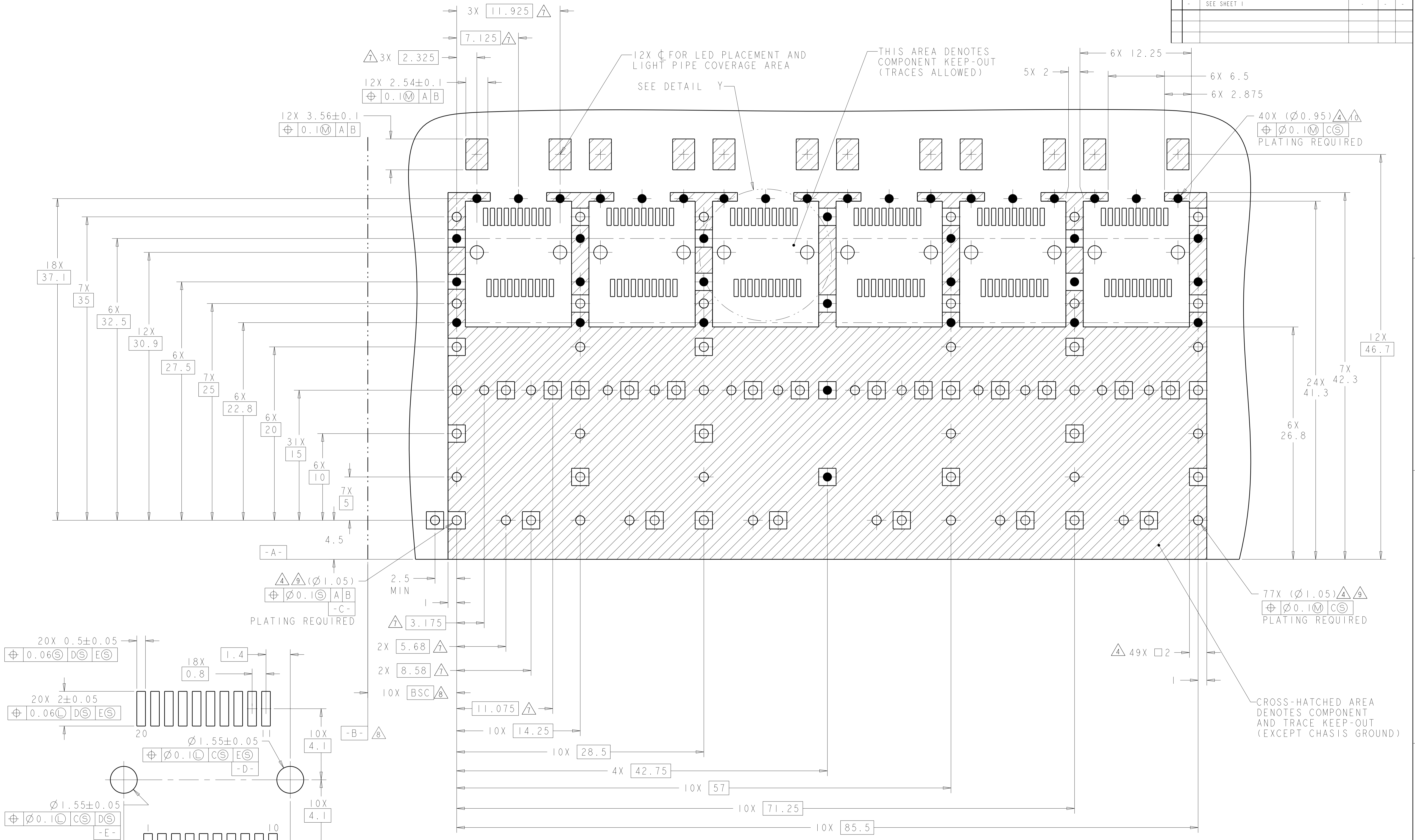


RECOMMENDED PCB CONFIGURATION WITH KEEP-OUT AREAS SINGLE SIDED APPLICATIONS SCALE 5:1

THIS DRAWING IS A CONTROLLED DOCUMENT.		DWN: C. ROHLER 03JUN2009	 TE Connectivity
DIMENSIONS: mm		CHK: M. SCHMITT 03JUN2009	
TOLERANCES UNLESS OTHERWISE SPECIFIED:		APVD: B. WERTZ 03JUN2009	NAME: SFP+ 1X6 CAGE ASSEMBLY
0 PLC ±0.1		PRODUCT SPEC: 108-2364	PRESS FIT, EXTERNAL EMI SPRINGS
1 PLC ±0.1		APPLICATION SPEC: 114-13120	WITH LOW PROFILE LIGHT PIPES
2 PLC ±0.1		WEIGHT: -	SIZE: A1
3 PLC ±0.1		FINISH: ±1*σ	CAGE CODE: C=2110742
4 PLC ±0.1		RESTRICTED TO: -	SCALE: 4:1
ANGLES ±0.1		Customer Drawing	SHEET 3 OF 4
MATERIAL: -			REV A

GP 00

REVISIONS				
REV	DATE	DESCRIPTION	BY	APPV
-	-	SEE SHEET 1	-	-



DETAIL Y
RECOMMENDED PT CONNECTOR LAYOUT
12X INDIVIDUALLY
SCALE 10:1

RECOMMENDED PC BOARD CONFIGURATION
WITH KEEP-OUT AREAS
BELLY TO BELLY APPLICATIONS
SCALE 5:1

THIS DRAWING IS A CONTROLLED DOCUMENT.		DWN: C. ROHLER 03JUN2009	TE Connectivity
DIMENSIONS: mm		CHK: M. SCHMITT 03JUN2009	
TOLERANCES UNLESS OTHERWISE SPECIFIED:		APV: B. WERTZ 03JUN2009	NAME: SFP+ 1X6 CAGE ASSEMBLY
0 PLC ±0.1		PRODUCT SPEC: 108-2364	RESTRICTED TO:
1 PLC ±0.1		APPLICATION SPEC:	Customer Drawing
2 PLC ±0.1		SIZE: 114-13120	SCALE: 2:1
3 PLC ±0.1		WEIGHT:	SHEET 4 OF 4
4 PLC ±0.1		FINISH: ±1*	REV A
ANGLES ±0.1			