



Chipsmall Limited consists of a professional team with an average of over 10 year of expertise in the distribution of electronic components. Based in Hongkong, we have already established firm and mutual-benefit business relationships with customers from,Europe,America and south Asia,supplying obsolete and hard-to-find components to meet their specific needs.

With the principle of “Quality Parts,Customers Priority,Honest Operation,and Considerate Service”,our business mainly focus on the distribution of electronic components. Line cards we deal with include Microchip,ALPS,ROHM,Xilinx,Pulse,ON,Everlight and Freescale. Main products comprise IC,Modules,Potentiometer,IC Socket,Relay,Connector.Our parts cover such applications as commercial,industrial, and automotives areas.

We are looking forward to setting up business relationship with you and hope to provide you with the best service and solution. Let us make a better world for our industry!



Contact us

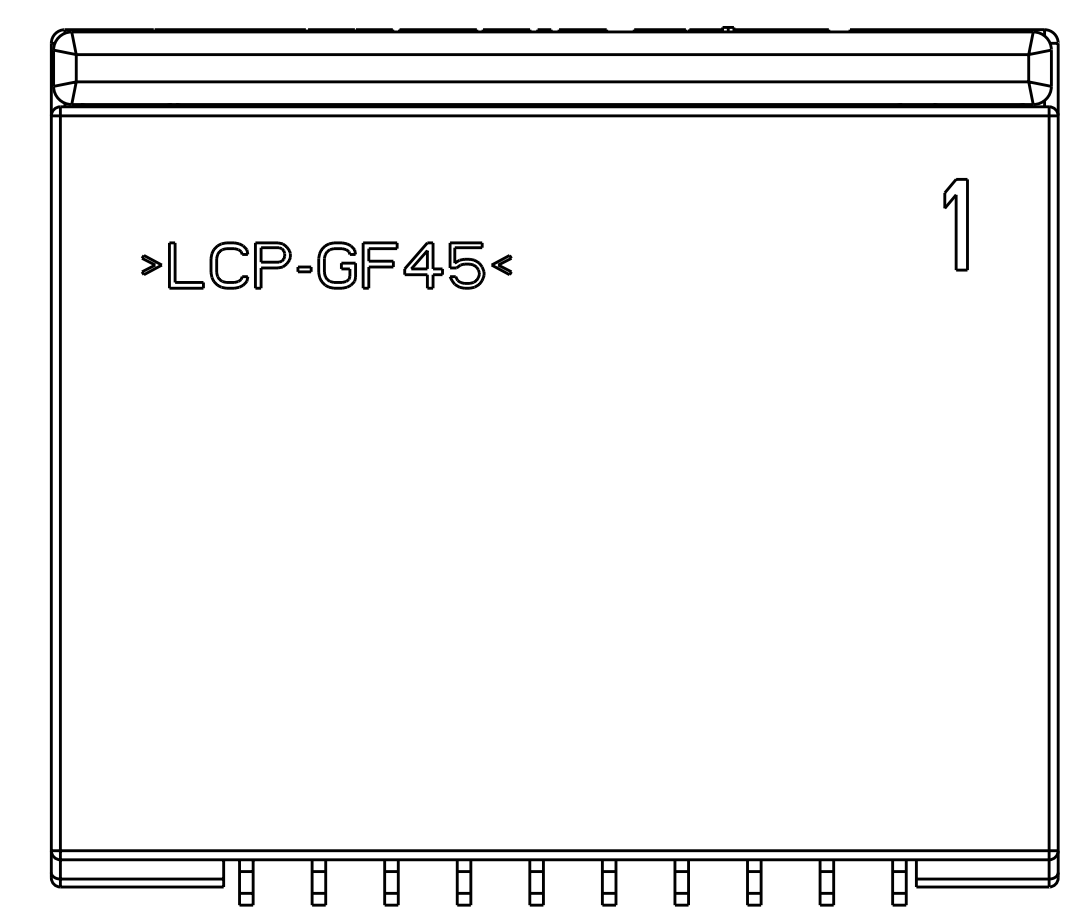
Tel: +86-755-8981 8866 Fax: +86-755-8427 6832

Email & Skype: info@chipsmall.com Web: www.chipsmall.com

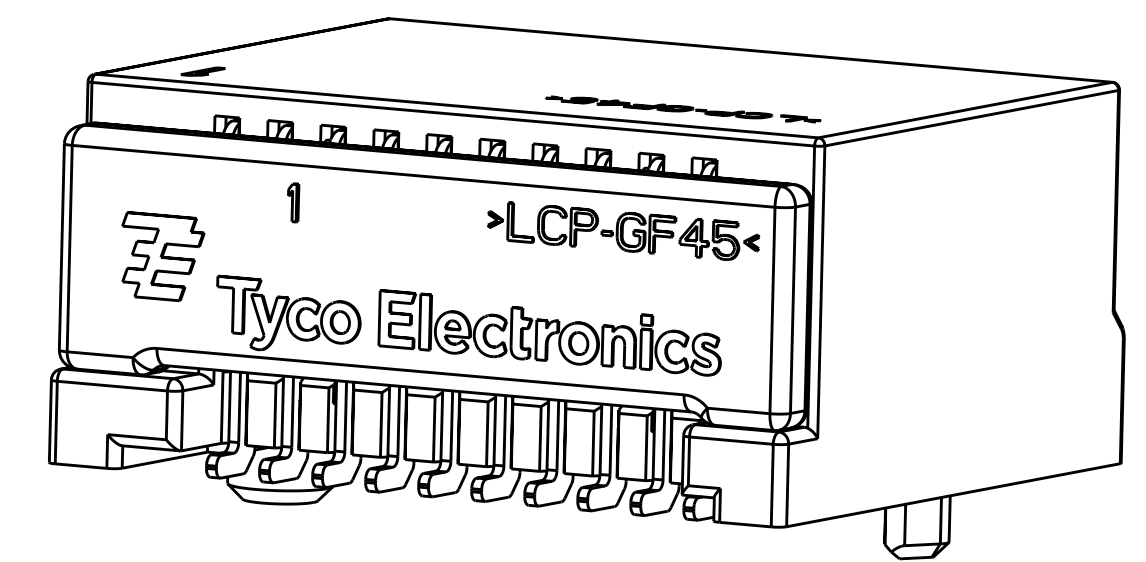
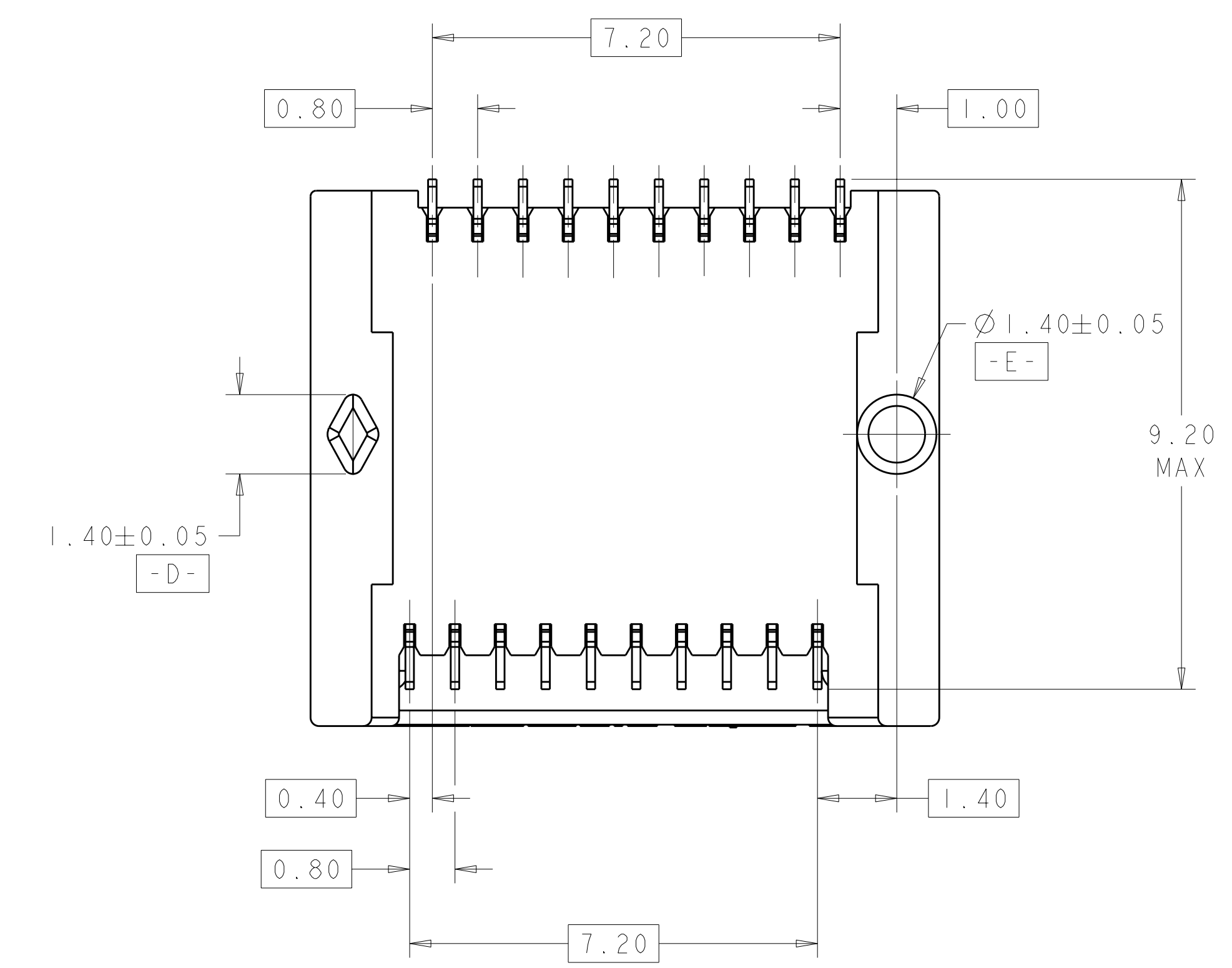
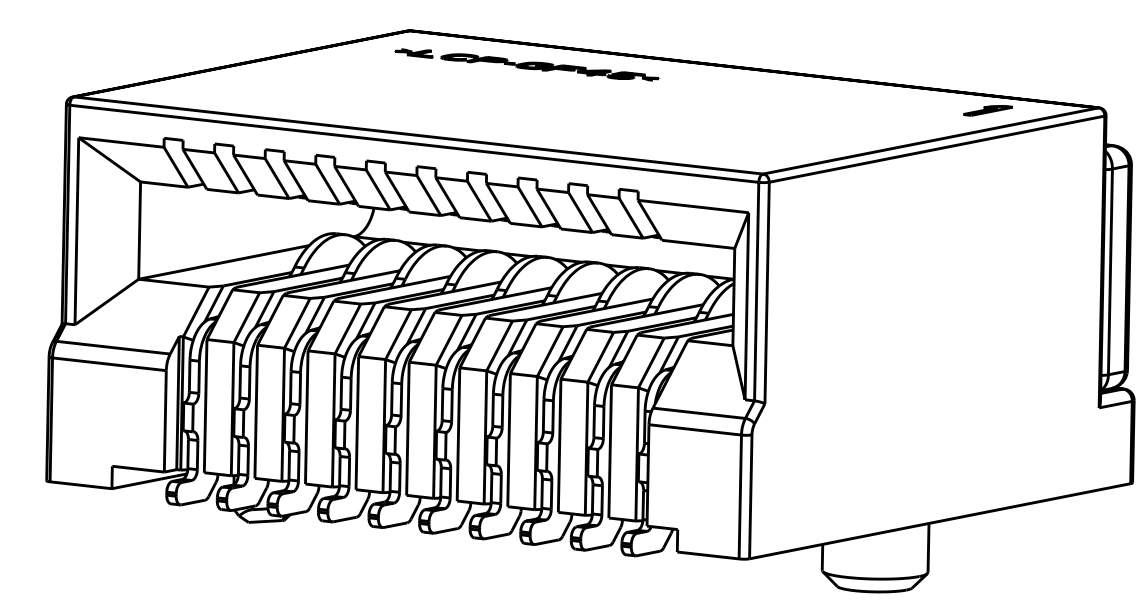
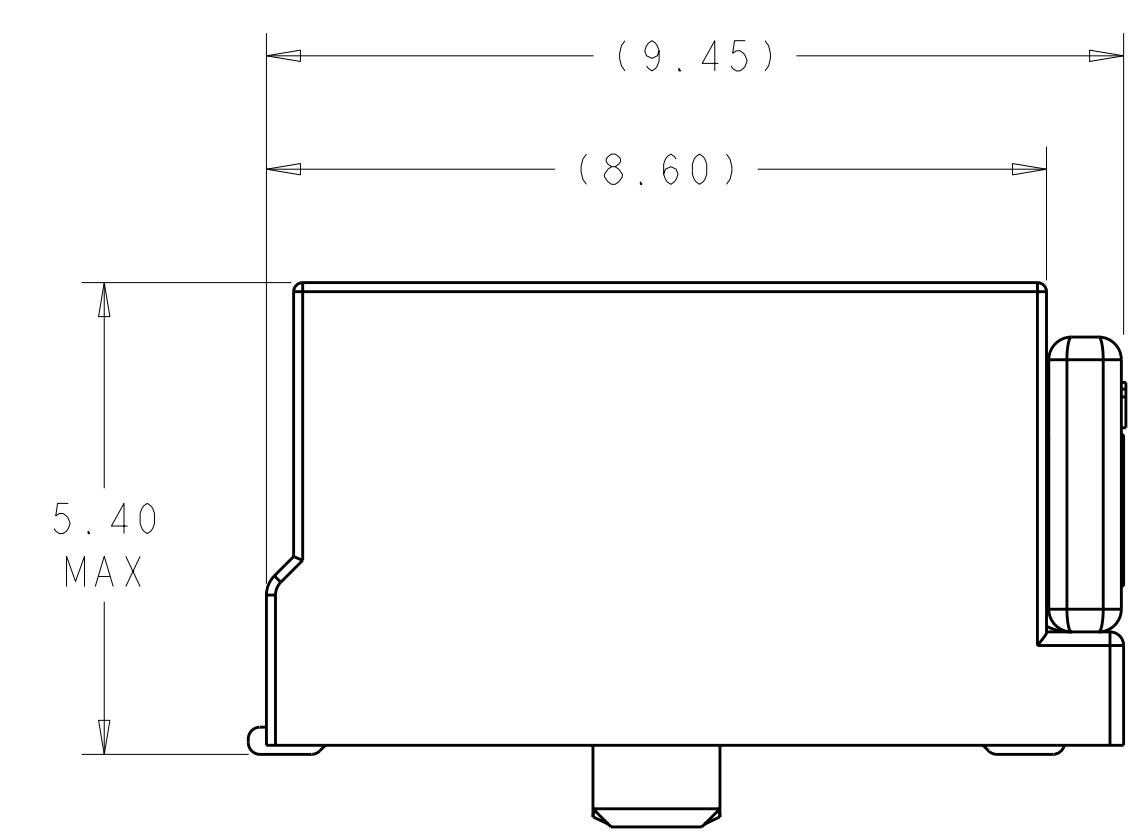
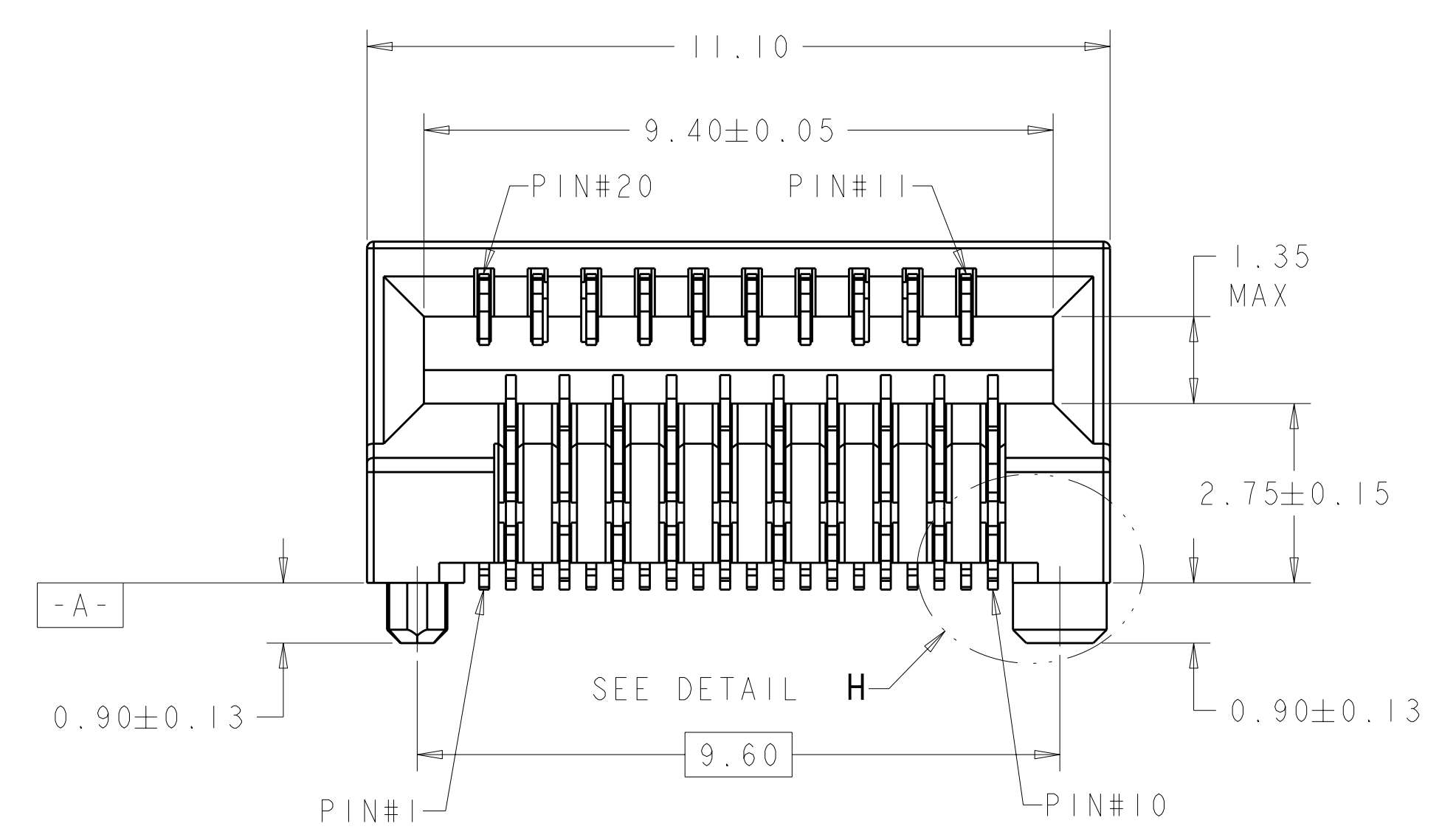
Address: A1208, Overseas Decoration Building, #122 Zhenhua RD., Futian, Shenzhen, China



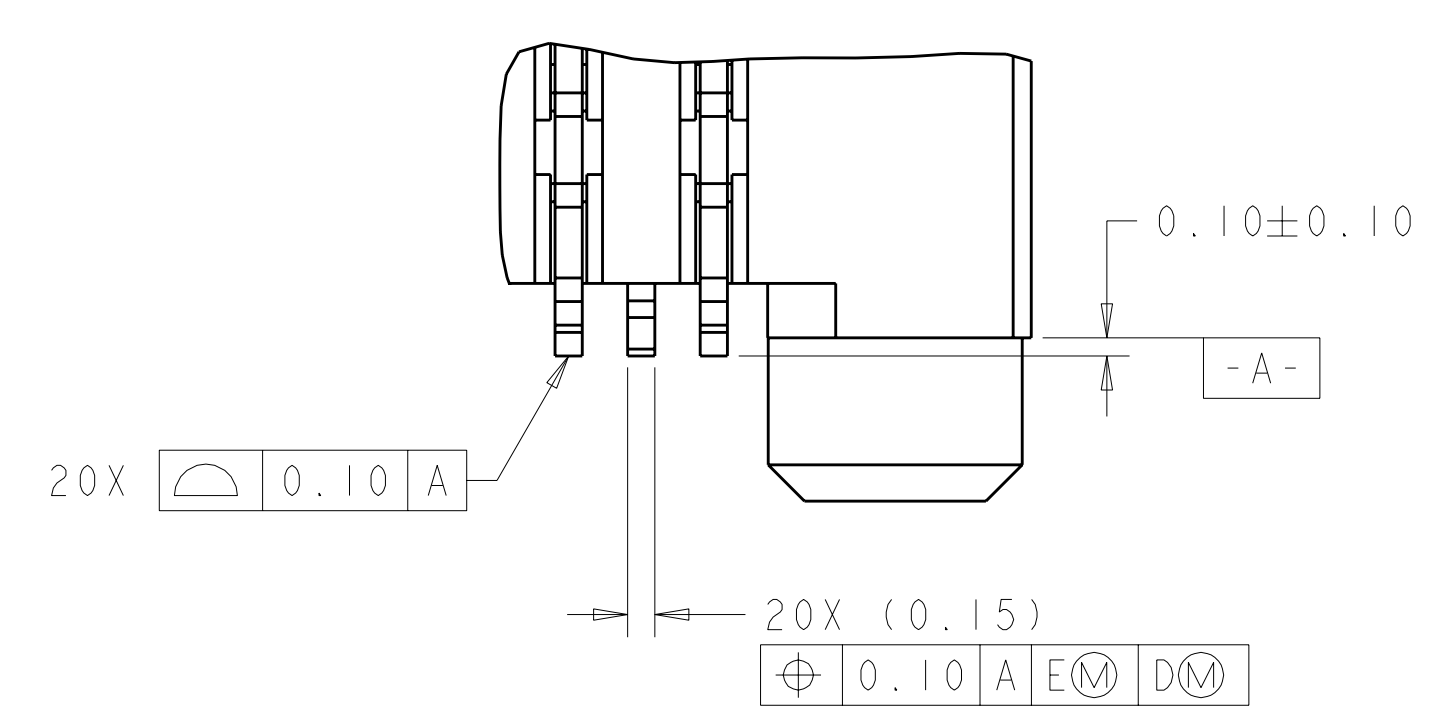
LOC	DIST	REVISIONS			
REV	LTG	DESCRIPTION	DATE	DWN	APVD
GP	00	A	RELEASED PER ECO-12-001478	17FEB2012	BM MS



- 1 MATERIAL:
HOUSING AND RETENTION PLUG: POLYESTER LCP, UL 94V-0, BLACK
CONTACTS: COPPER ALLOY.
- 2 FINISH:
CONTACT: CONFORMS TO TE PRODUCT SPEC 108-2424, BASED ON
EIA/ECA-364-1000 O1A. (CONTROLLED ENVIRONMENT APPLICATIONS)
ON MATING END, GOLD FLASH OVER NICKEL ON SOLDER TAILS.
- 3 DATUMS AND BASIC DIMENSIONS ARE TO BE ESTABLISHED BY
CUSTOMER.



2110759-1
SCALE 10:1

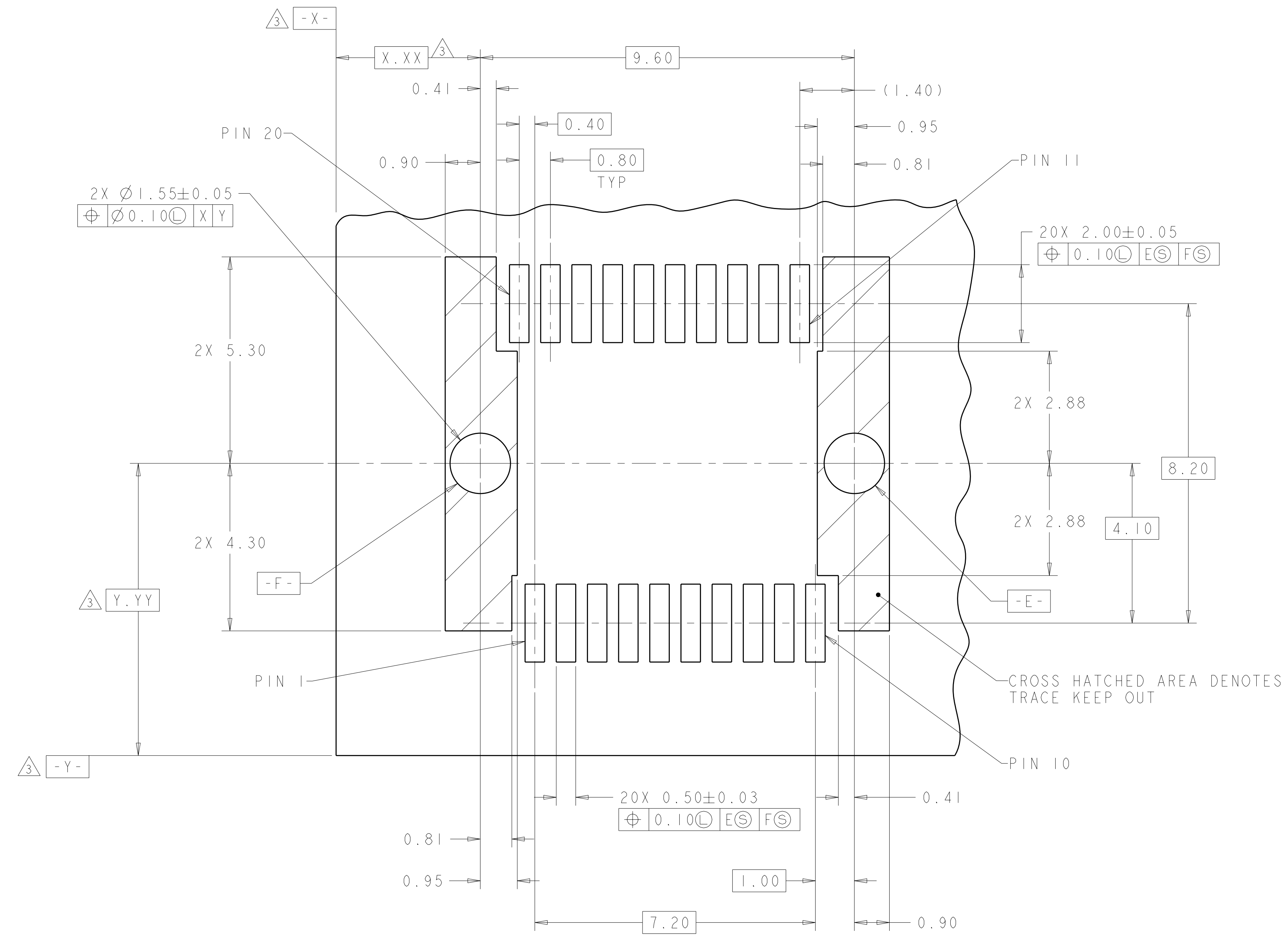


DETAIL H
SCALE 24:1

2110759-1
PART
NUMBER

<small>THIS DRAWING IS UNPUBLISHED. RELEASED FOR PUBLICATION. ALL RIGHTS RESERVED. THIS IS SUBJECT TO CHANGE WITHOUT NOTICE. THE CUSTOMER SHALL BE RESPONSIBLE FOR VERIFYING THE DIMENSIONS AND TOLERANCES OF THE PARTS AND ASSEMBLIES. CONTACT THE SUPPLIER FOR THE LATEST REVISION.</small>		DWN B. MCMASTER 16 JUN 09 CHK J. WESTMAN 16 JUN 09 APVD J. WESTMAN 16 JUN 09	Tyco Electronics Harrisburg, PA 17105-3608
DIMENSIONS: mm 9 PLC ± 8 PLC ±0.10 5 PLC ± 4 PLC ± ANGLES ±	TOLERANCES UNLESS OTHERWISE SPECIFIED: 9 PLC ± 8 PLC ±0.10 5 PLC ± 4 PLC ± ANGLES ±	NAME PT CONNECTOR ASSEMBLY, 20 POS. RIGHT ANGLE, 0.8mm PITCH, 16G SFP PRODUCT SPEC 108-2424 APPLICATION SPEC 114-13120 WEIGHT CUSTOMER DRAWING	Tyco Electronics Harrisburg, PA 17105-3608 PT CONNECTOR ASSEMBLY, 20 POS. RIGHT ANGLE, 0.8mm PITCH, 16G SFP SIZE CAGE CODE DRAWING NO. RESTRICTED TO A1100779C=2110759 SCALE 12:1 SHEET 1 OF 3 REV A

LOC	DIST	REVISIONS					
GP	00	P	LTB	DESCRIPTION	DATE	DWN	APVD
		-	-	SEE SHEET 1	-	-	-



RECOMMENDED PCB LAYOUT DETAIL
 CONNECTOR MOUNTING SIDE
 SCALE 14:1

<small>THIS DRAWING IS UNPUBLISHED. RELEASED FOR PUBLICATION. THIS IS SUBJECT TO CHANGE WITHOUT NOTICE AND WITHOUT OBLIGATION. TOLERANCES UNLESS OTHERWISE SPECIFIED: DIMENSIONS IN MILLIMETERS.</small>		DWN: B. MCMASTER CHK: J. WESTMAN APVD: J. WESTMAN	16 JUN 09 16 JUN 09 16 JUN 09	Tyco Electronics Harrisburg, PA 17105-3608
DIMENSIONS: mm 		TOLERANCES UNLESS OTHERWISE SPECIFIED: 9 PLC ± 1 PLC ±0.10 2 PLC ± 3 PLC ± 4 PLC ± ANGLES ±		NAME: PT CONNECTOR ASSEMBLY, 20 POS. RIGHT ANGLE, 0.8mm PITCH, 16G SFP PRODUCT SPEC: 108-2424 APPLICATION SPEC: 114-13120 WEIGHT: - FINISH: -
MATERIAL: - FINISH: -		SIZE: A CAGE CODE: 100779 DRAWING NO: C=2110759 RESTRICTED TO: - SCALE: 12:1 SHEET 2 OF 3 REV A		

