



Chipsmall Limited consists of a professional team with an average of over 10 year of expertise in the distribution of electronic components. Based in Hongkong, we have already established firm and mutual-benefit business relationships with customers from,Europe,America and south Asia,supplying obsolete and hard-to-find components to meet their specific needs.

With the principle of “Quality Parts,Customers Priority,Honest Operation,and Considerate Service”,our business mainly focus on the distribution of electronic components. Line cards we deal with include Microchip,ALPS,ROHM,Xilinx,Pulse,ON,Everlight and Freescale. Main products comprise IC,Modules,Potentiometer,IC Socket,Relay,Connector.Our parts cover such applications as commercial,industrial, and automotives areas.

We are looking forward to setting up business relationship with you and hope to provide you with the best service and solution. Let us make a better world for our industry!



Contact us

Tel: +86-755-8981 8866 Fax: +86-755-8427 6832

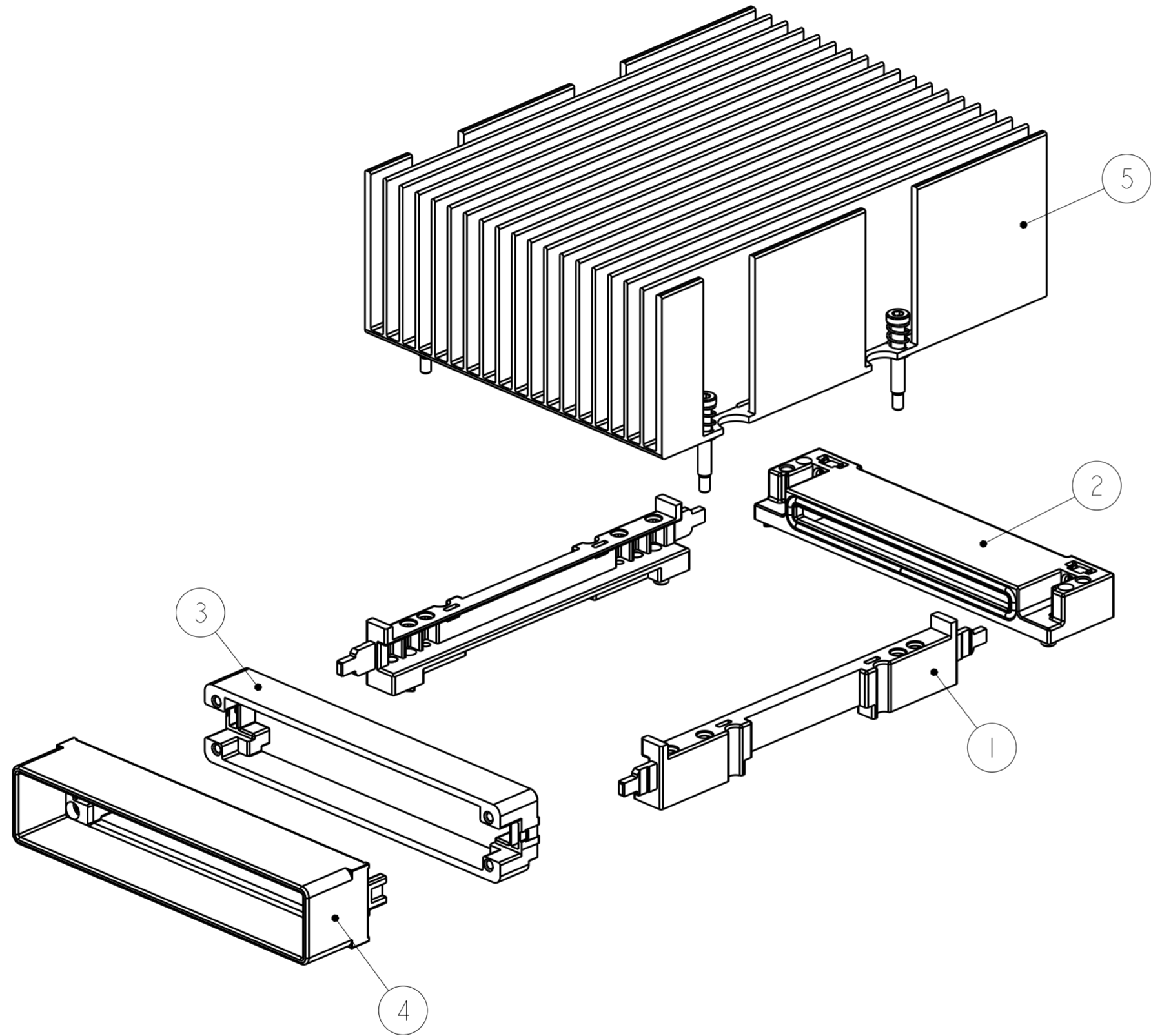
Email & Skype: info@chipsmall.com Web: www.chipsmall.com

Address: A1208, Overseas Decoration Building, #122 Zhenhua RD., Futian, Shenzhen, China



THIS DRAWING IS UNPUBLISHED. RELEASED FOR PUBLICATION 20
 © COPYRIGHT 20 BY - ALL RIGHTS RESERVED.

LOC	DIST	REVISIONS					
GP	00	P	LTR	DESCRIPTION	DATE	DWN	APVD
		B		REVISED PER ECO-12-021786	04MAR2013	CJV	MRS



1	2110903-1	HEATSINK ASSEMBLY	5
1	2057626-2	EXTERNAL BRACKET ASSEMBLY	4
1	2057930-2	BACKER PLATE ASSEMBLY	3
1	2057631-2	CONNECTOR COVER ASSEMBLY	2
2	2057592-2	GUIDE RAIL	1
- 1	PART NUMBER	DESCRIPTION	ITEM NO

THIS DRAWING IS A CONTROLLED DOCUMENT. DIMENSIONING AND TOLERANCING PER ASME Y14.5M-2009		DWN M. SHIRK 14AUG2009	STE TE Connectivity	
DIMENSIONS: mm		CHK M. PHILLIPS 14AUG2009		
TOLERANCES UNLESS OTHERWISE SPECIFIED:		APVD -	NAME CFP HARDWARE KIT NO HEATSINK	
0 PLC ±	1 PLC ±	PRODUCT SPEC 108-2399	SIZE A200779	
2 PLC ±	3 PLC ±	APPLICATION SPEC 114-13263	CAGE CODE C-2110915	DRAWING NO -
4 PLC ±	ANGLES ±	WEIGHT -	RESTRICTED TO -	
MATERIAL -	FINISH -	CUSTOMER DRAWING	SCALE 1:1	SHEET 1 OF 1
			REV B	