



Chipsmall Limited consists of a professional team with an average of over 10 year of expertise in the distribution of electronic components. Based in Hongkong, we have already established firm and mutual-benefit business relationships with customers from,Europe,America and south Asia,supplying obsolete and hard-to-find components to meet their specific needs.

With the principle of “Quality Parts,Customers Priority,Honest Operation,and Considerate Service”,our business mainly focus on the distribution of electronic components. Line cards we deal with include Microchip,ALPS,ROHM,Xilinx,Pulse,ON,Everlight and Freescale. Main products comprise IC,Modules,Potentiometer,IC Socket,Relay,Connector.Our parts cover such applications as commercial,industrial, and automotives areas.

We are looking forward to setting up business relationship with you and hope to provide you with the best service and solution. Let us make a better world for our industry!



Contact us

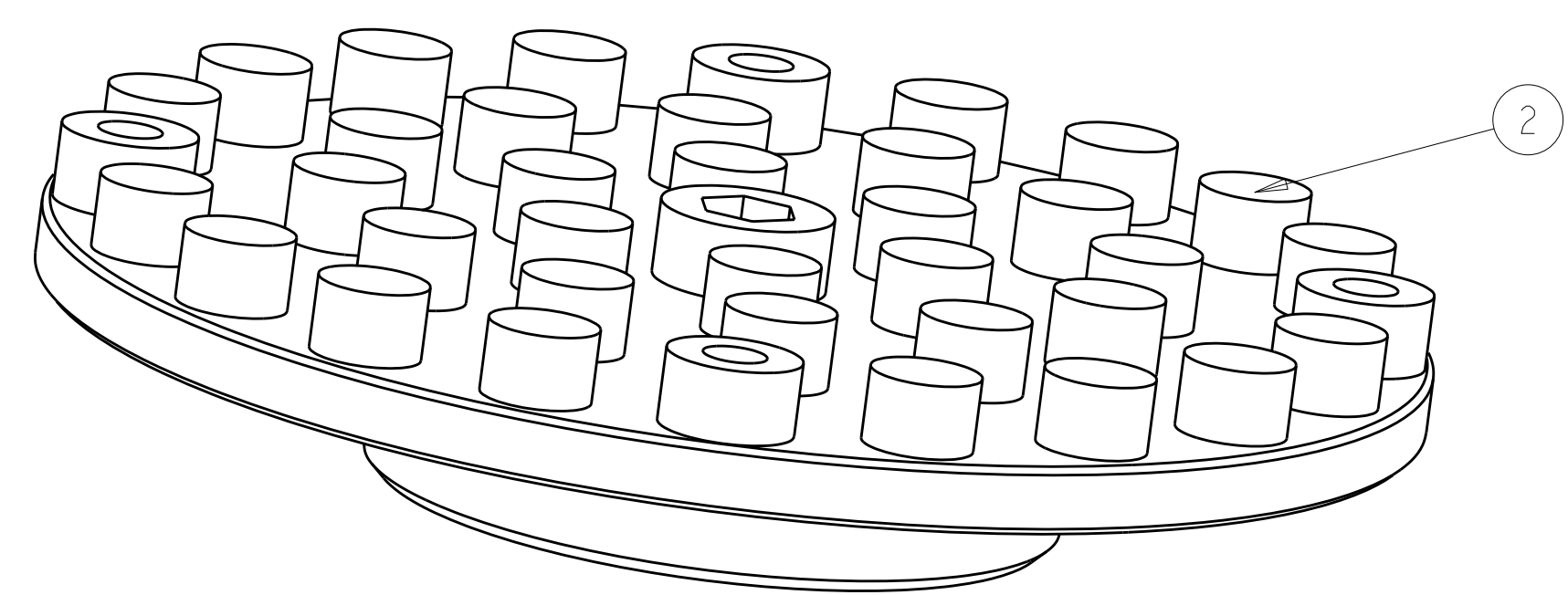
Tel: +86-755-8981 8866 Fax: +86-755-8427 6832

Email & Skype: info@chipsmall.com Web: www.chipsmall.com

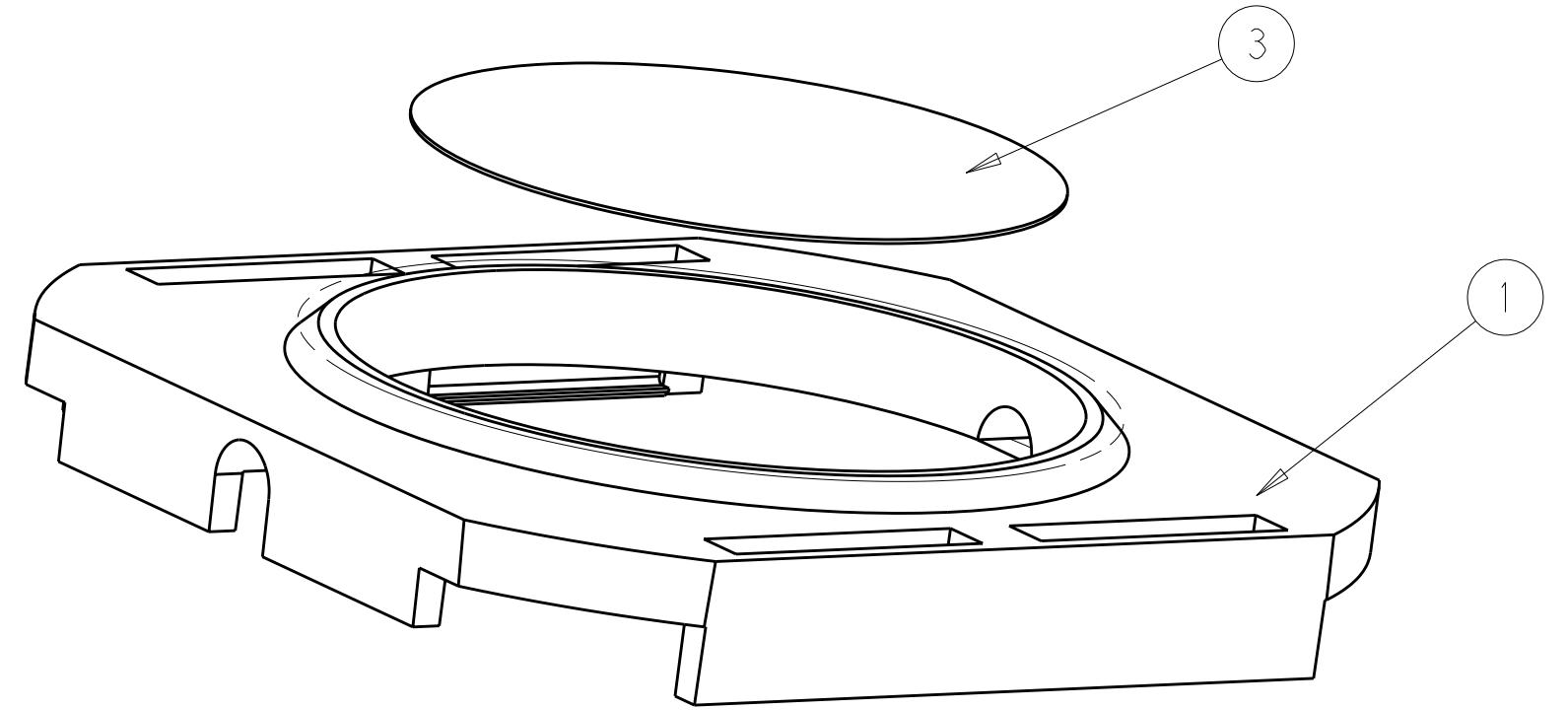
Address: A1208, Overseas Decoration Building, #122 Zhenhua RD., Futian, Shenzhen, China



LOC	DIST	REVISIONS					
		P	LTB	DESCRIPTION	DATE	DWN	APVD
AD	00	1		PROPOSED	27AUG2009	DH	JE
		A		RELEASED	31AUG2009	DH	JE

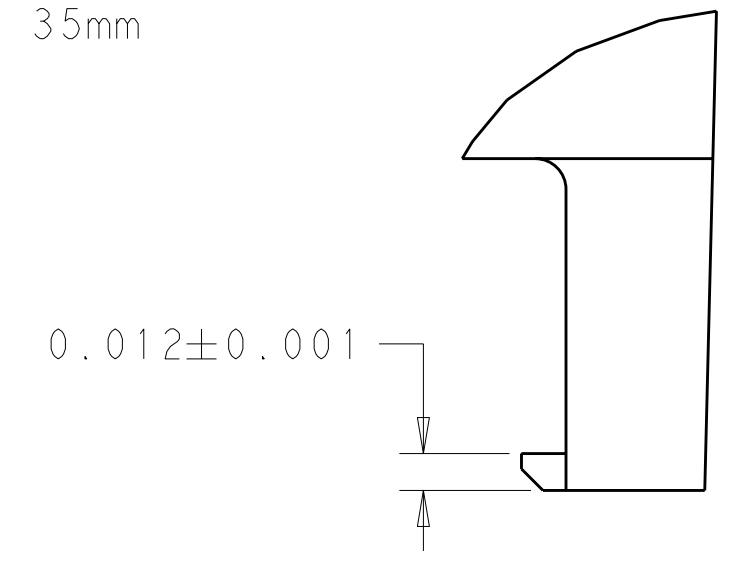


PIN FIN HEATSINK: 2.000 DIA.
0.433 HT.



4-LEG CLIP SIZE: 35mm

SCALE 4:1



DETAIL A
SCALE 16:1

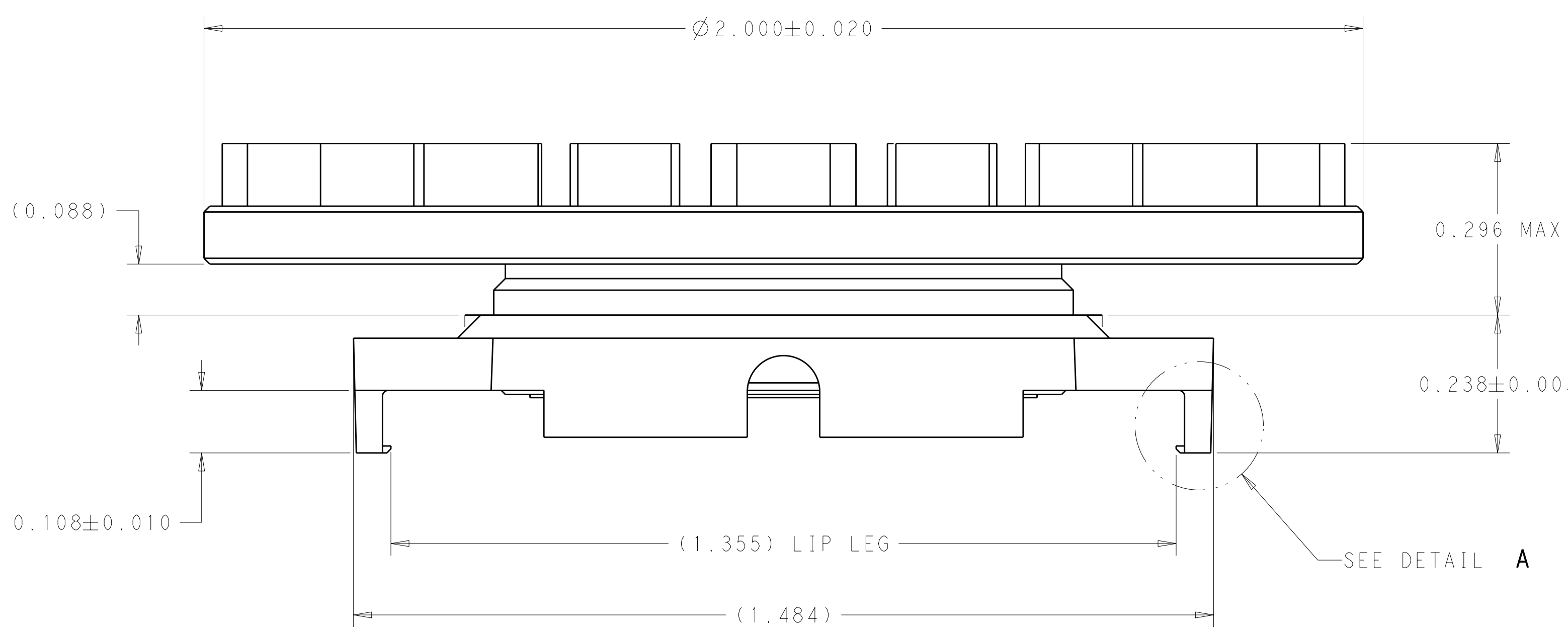
NOTES:

- MATERIAL:
HEAT SINK: ALUM. (BLACK ANODIZE)
CLIP: BLACK PEI(UL94-V0)
- BEFORE THE HEATSINK APPLICATION, THE USER SHOULD IDENTIFY THE SPECIFICATION OF MAXIMUM LOAD ON THE BGA PACKAGE

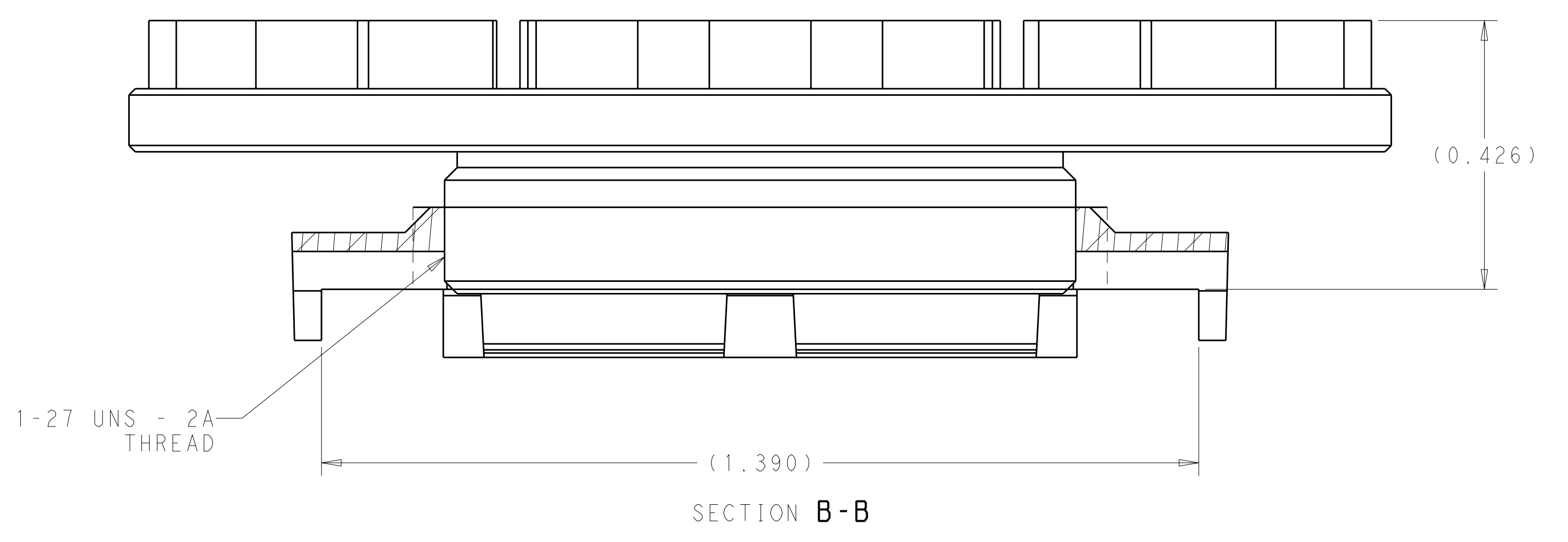
HEATSINK TORQUE SPECIFICATIONS CONVERTED TO FORCE.

BARE DIE PACKAGE:
2.0 INCH - LB TORQUE = 8.1 LBS FORCE
2.5 INCH - LB TORQUE = 10.1 LBS FORCE

FULL SIZE LID PACKAGE:
2.0 INCH - LB TORQUE = 6.9 LBS FORCE
2.5 INCH - LB TORQUE = 8.7 LBS FORCE
- REMOVE CLIP WITH REMOVAL TOOL P/N: 1542616-1
- RoHS COMPLIANT AND CERTIFIED.



SEE DETAIL A



SECTION B-B

QTY.	DESCRIPTION	ITEM
1	INTERFACE	3
1	HEAT SINK	2
1	MOUNTING CLIP	1

DIMENSIONS: INCHES 9 PLC ±. 1 PLC ±0.1 3 PLC ±0.02 5 PLC ±0.005 4 PLC ±0.0005 ANGLES ±. FINISH SEE NOTE		TOLERANCES UNLESS OTHERWISE SPECIFIED: DWN D. HUMBERT 27AUG2009 CHK J. EARY 27AUG2009 APVD J. EARY 27AUG2009 PRODUCT SPEC APPLICATION SPEC WEIGHT CUSTOMER DRAWING		Tyco Electronics Harrisburg, PA 17105-3608 NAME 35mm PIN FIN HEATSINK ASSEMBLY SIZE CAGE CODE DRAWING NO A100779C=2110926 SCALE 6:1 SHEET 1 OF 1 REV A	
---	--	---	--	--	--