



Chipsmall Limited consists of a professional team with an average of over 10 year of expertise in the distribution of electronic components. Based in Hongkong, we have already established firm and mutual-benefit business relationships with customers from,Europe,America and south Asia,supplying obsolete and hard-to-find components to meet their specific needs.

With the principle of “Quality Parts,Customers Priority,Honest Operation,and Considerate Service”,our business mainly focus on the distribution of electronic components. Line cards we deal with include Microchip,ALPS,ROHM,Xilinx,Pulse,ON,Everlight and Freescale. Main products comprise IC,Modules,Potentiometer,IC Socket,Relay,Connector.Our parts cover such applications as commercial,industrial, and automotives areas.

We are looking forward to setting up business relationship with you and hope to provide you with the best service and solution. Let us make a better world for our industry!



Contact us

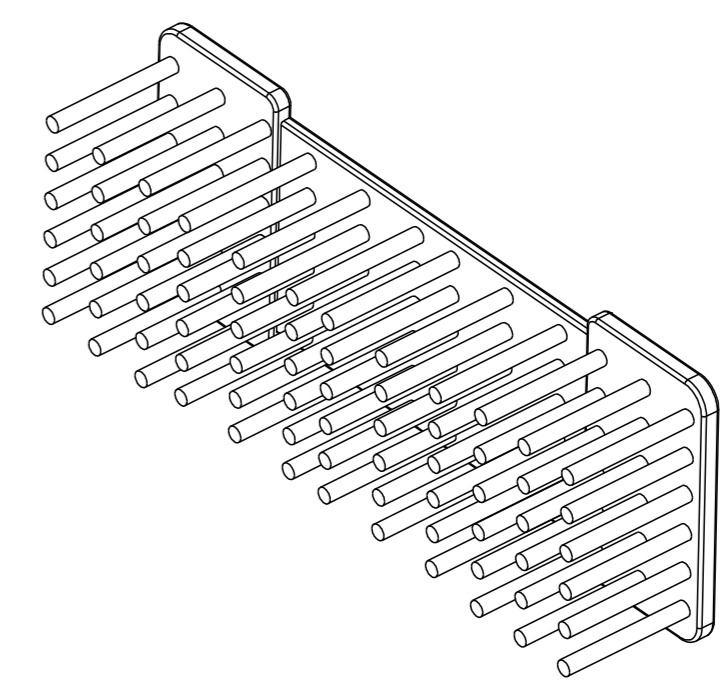
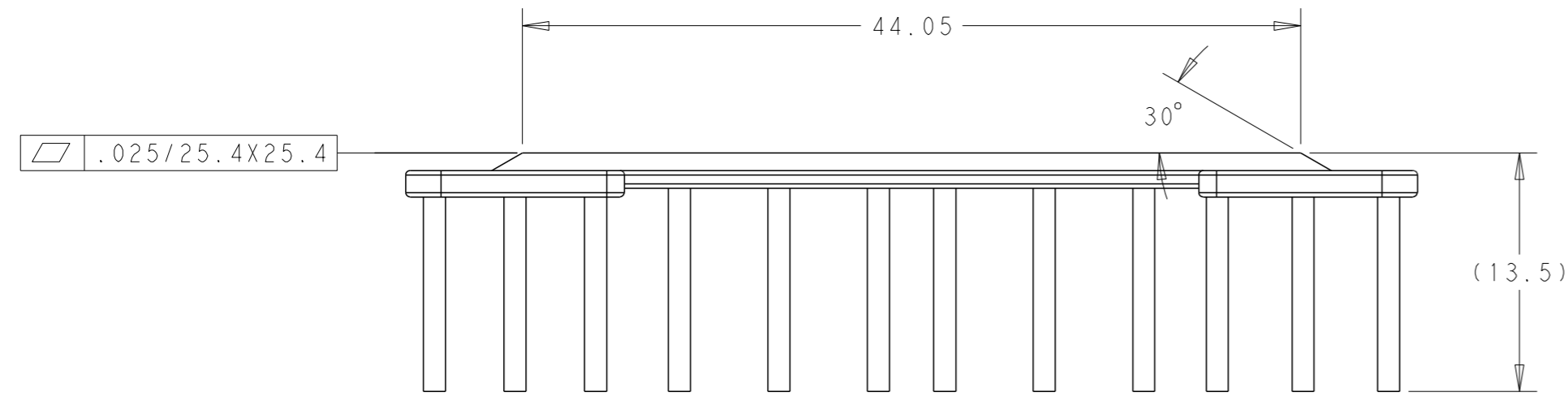
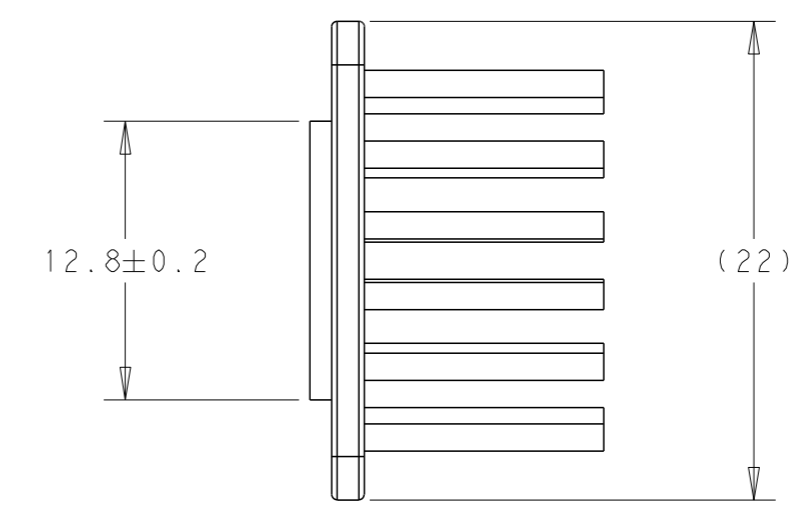
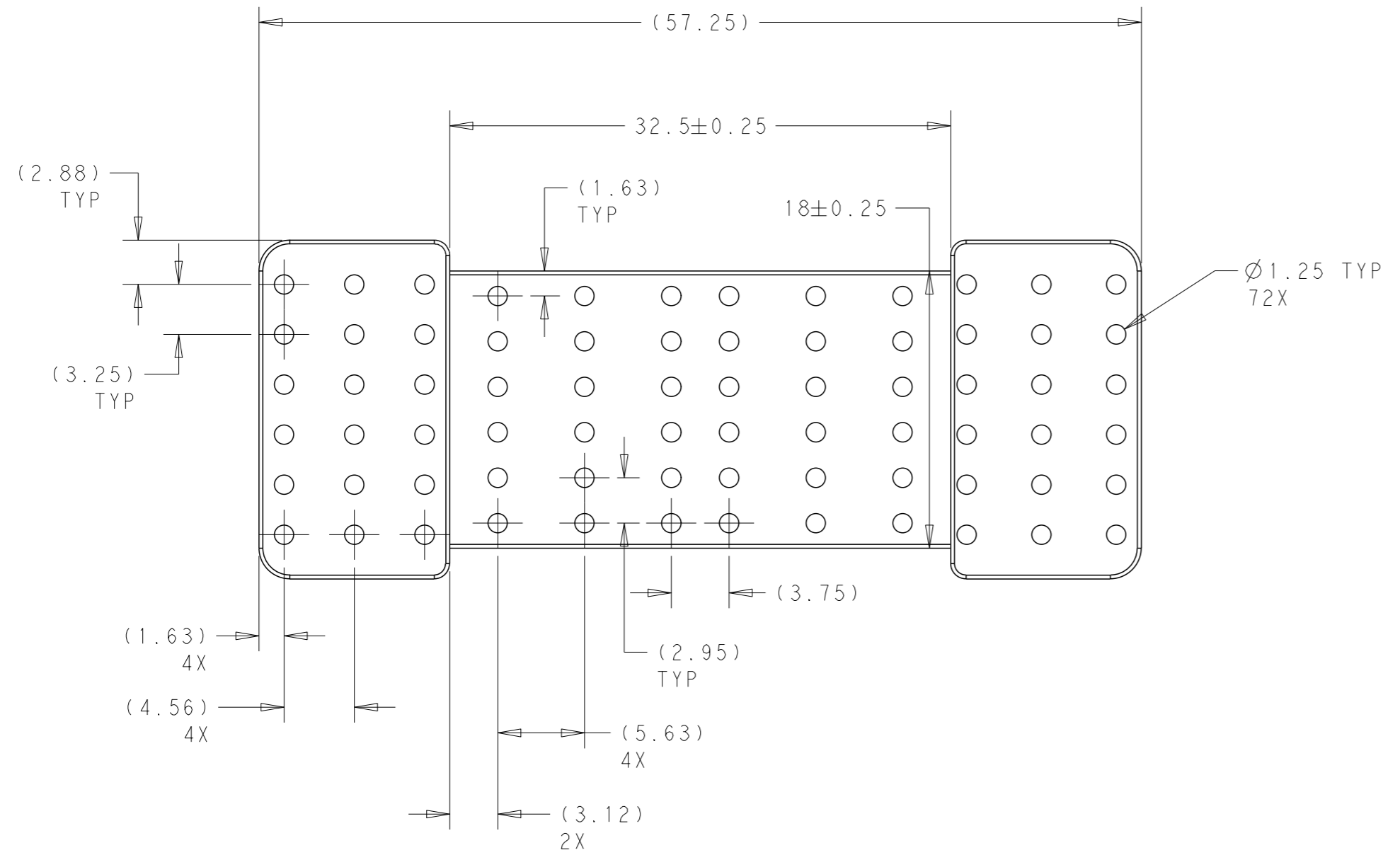
Tel: +86-755-8981 8866 Fax: +86-755-8427 6832

Email & Skype: info@chipsmall.com Web: www.chipsmall.com

Address: A1208, Overseas Decoration Building, #122 Zhenhua RD., Futian, Shenzhen, China



REVISIONS					
P	LTR	DESCRIPTION	DATE	DWN	APVD
	B	REVISED	28OCT2013	ML	CW



SCALE 2:1

2110965-1 AS SHOW

- NOTES:
 UNLESS OTHERWISE SPECIFIED
 1. INTERPRET DRAWING PER ASME Y14.5M-1994
 2. RoHS COMPLIANT AND CERTIFIED.

2110965-2	HEAT SINK W/O POST
2110965-1	HEAT SINK W/ POST
PART NUMBER	DESCRIPTION

THIS DRAWING IS A CONTROLLED DOCUMENT.		DWN	D. HUMBERT	21SEP2009
DIMENSIONS:		CHK	J. EABY	21SEP2009
mm	TOLERANCES UNLESS OTHERWISE SPECIFIED:	APVD	J. EABY	21SEP2009
	0 PLC ±	PRODUCT SPEC		
	1 PLC ±.25	APPLICATION SPEC		
	2 PLC ±.2			
	3 PLC ±.1	WEIGHT		
	4 PLC ±.05			
	ANGLES ±	CUSTOMER DRAWING	SCALE	2:1
	FINISH		SHEET	1 OF 2
MATERIAL	6063-T5 ALUM	SIZE	A2	REV
		DRAWING NO	©=2110965	B

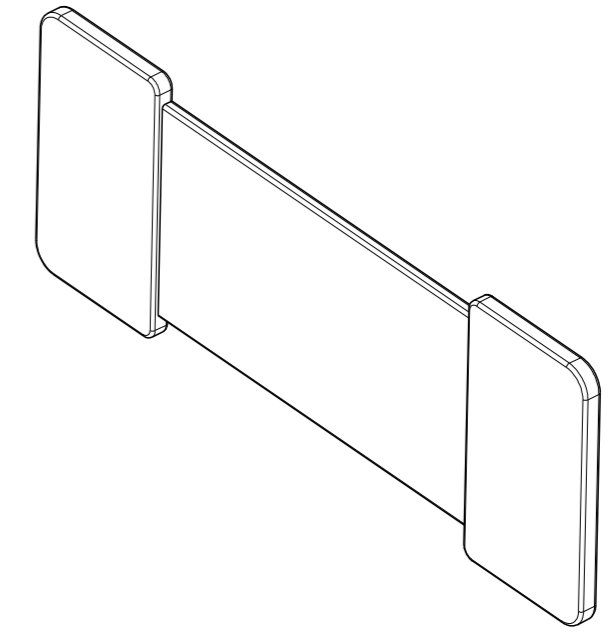
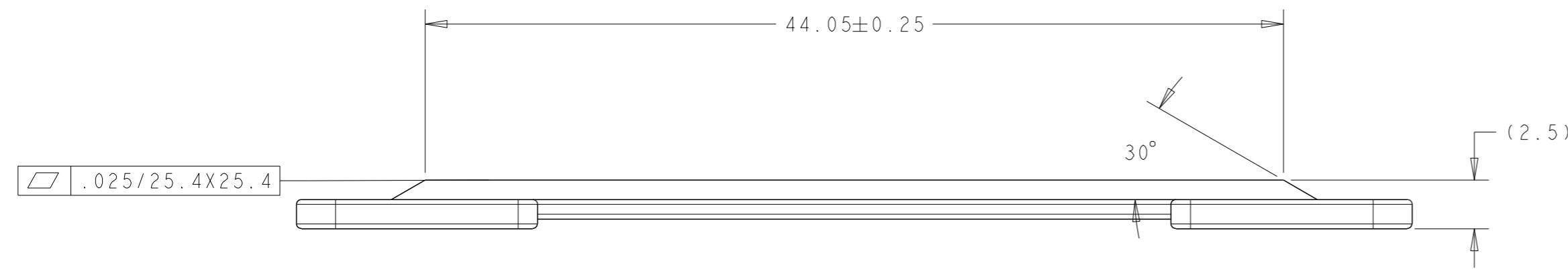
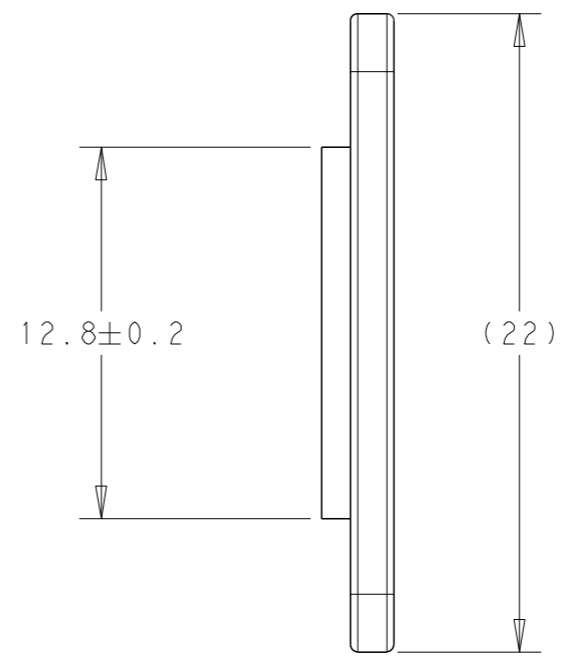
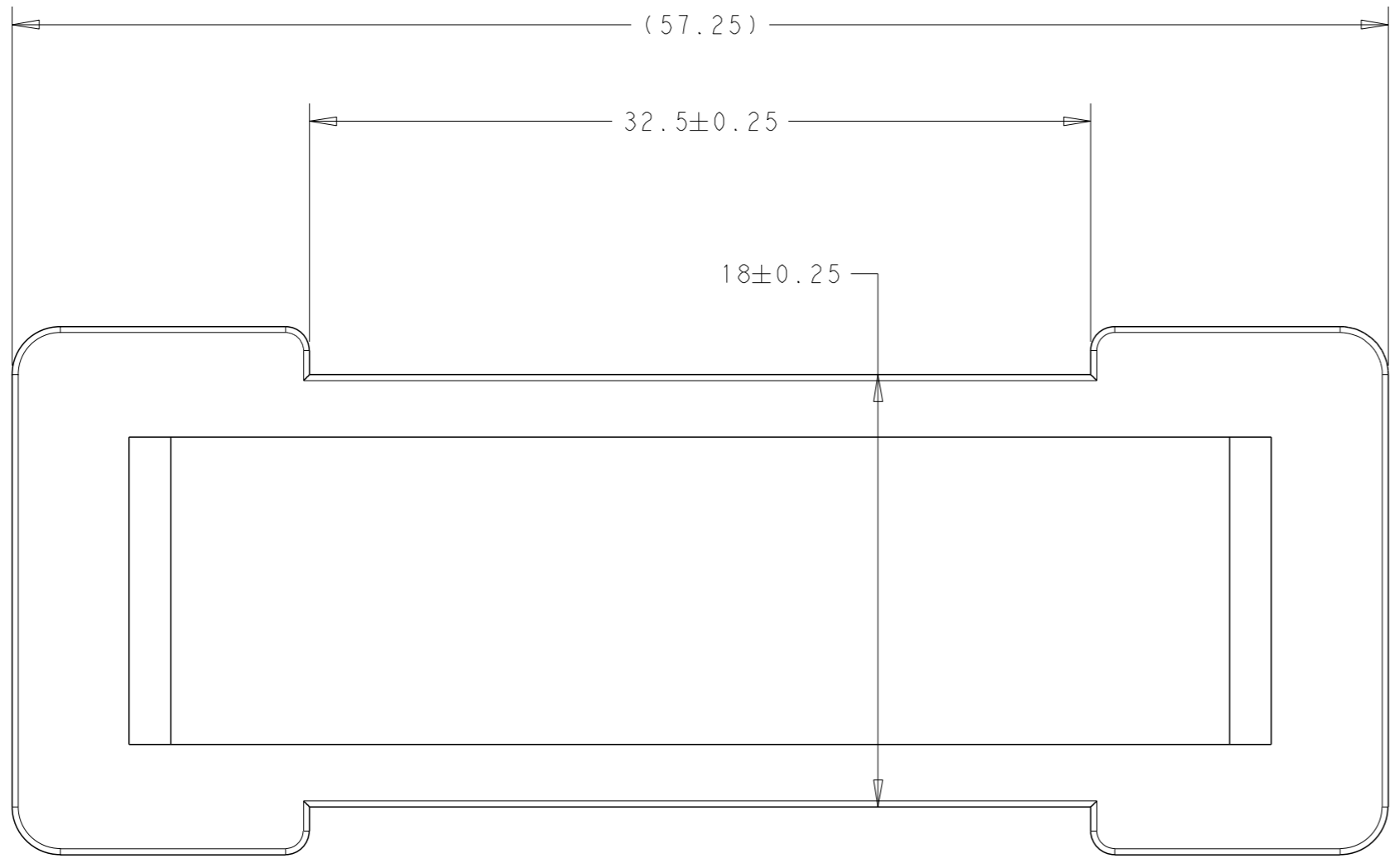
STE TE Connectivity

NAME: XFP, MSA NETWORK APPLICATION HEATSINK

RESTRICTED TO: -

THIS DRAWING IS UNPUBLISHED. RELEASED FOR PUBLICATION 20
 © COPYRIGHT 20 BY - ALL RIGHTS RESERVED.

REVISIONS				
P	LTR	DESCRIPTION	DATE	APVD
-		SEE SHEET 1	-	-



2110965-2 AS SHOW

THIS DRAWING IS A CONTROLLED DOCUMENT.		DWN D. HUMBERT 21SEP2009		
DIMENSIONS: mm		CHK J. EABY 21SEP2009		
TOLERANCES UNLESS OTHERWISE SPECIFIED:		APVD J. EABY 21SEP2009	NAME XFP, MSA NETWORK APPLICATION HEATSINK	
0 PLC ± 1 PLC ±.25 2 PLC ±.2 3 PLC ±.1 4 PLC ±.05 ANGLES ± FINISH -		PRODUCT SPEC -	RESTRICTED TO -	
MATERIAL 6063-T5 ALUM		APPLICATION SPEC -	SIZE A2	CAGE CODE -
		WEIGHT -	DRAWING NO ©=2110965	
		CUSTOMER DRAWING	SCALE 2:1	SHEET 2 OF 2
			REV B	