



Chipsmall Limited consists of a professional team with an average of over 10 year of expertise in the distribution of electronic components. Based in Hongkong, we have already established firm and mutual-benefit business relationships with customers from,Europe,America and south Asia,supplying obsolete and hard-to-find components to meet their specific needs.

With the principle of "Quality Parts,Customers Priority,Honest Operation,and Considerate Service",our business mainly focus on the distribution of electronic components. Line cards we deal with include Microchip,ALPS,ROHM,Xilinx,Pulse,ON,Everlight and Freescale. Main products comprise IC,Modules,Potentiometer,IC Socket,Relay,Connector.Our parts cover such applications as commercial,industrial, and automotives areas.

We are looking forward to setting up business relationship with you and hope to provide you with the best service and solution. Let us make a better world for our industry!



Contact us

Tel: +86-755-8981 8866 Fax: +86-755-8427 6832

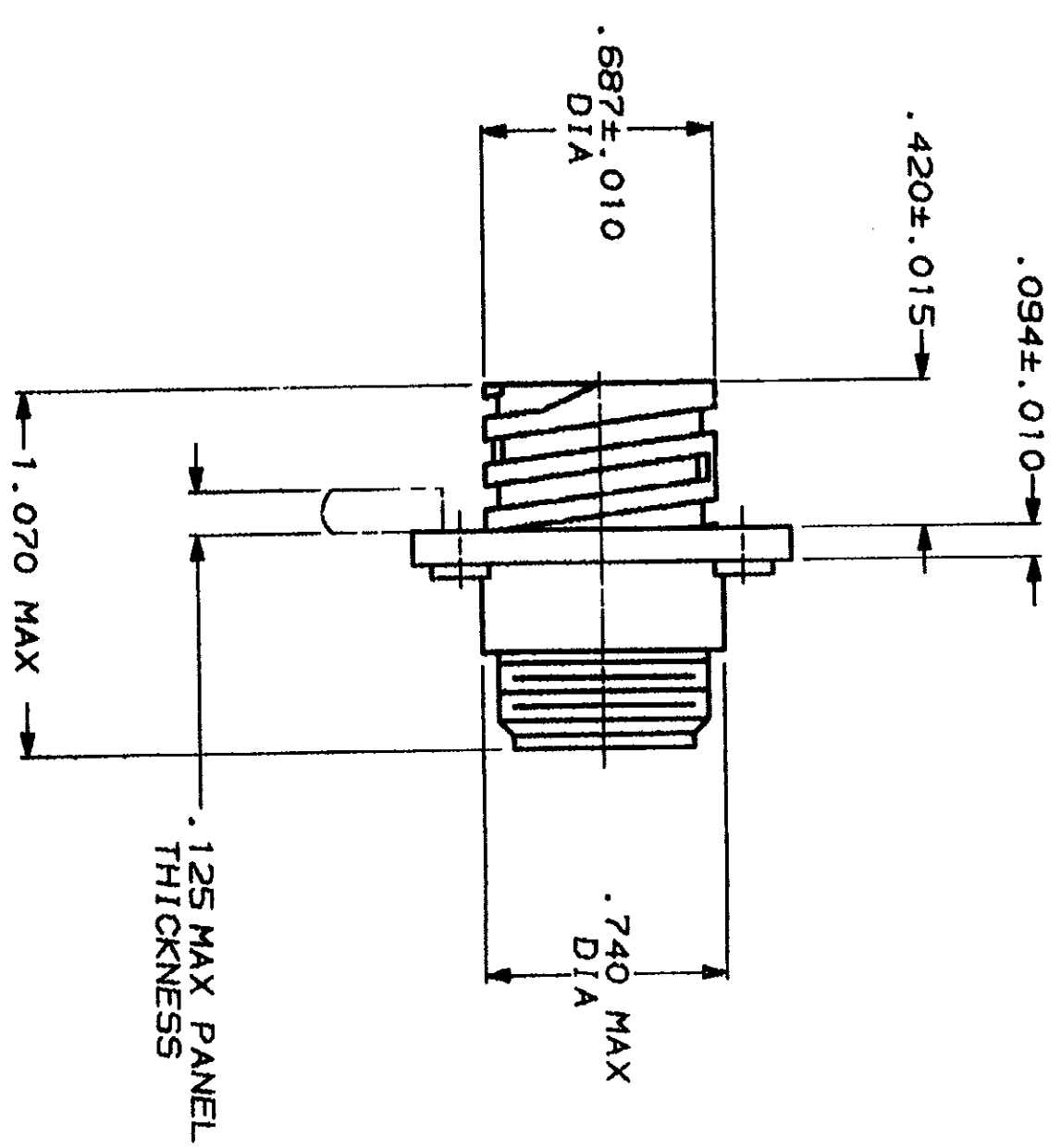
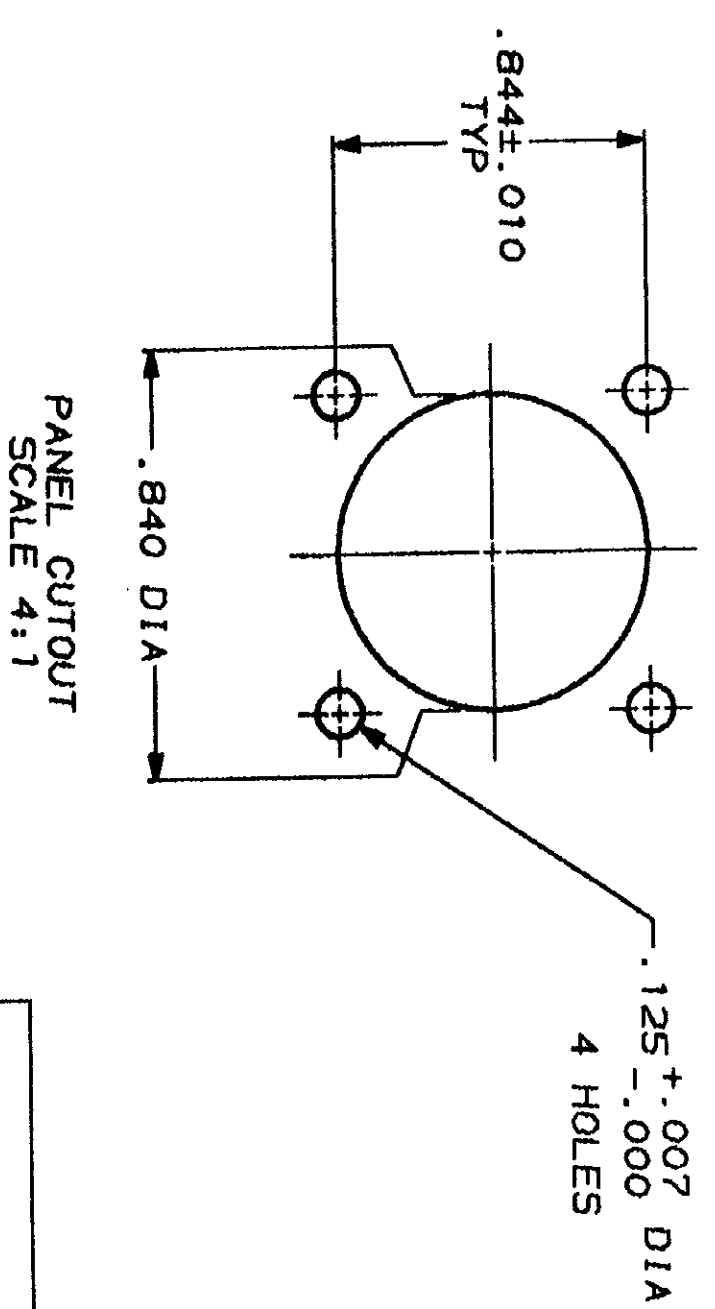
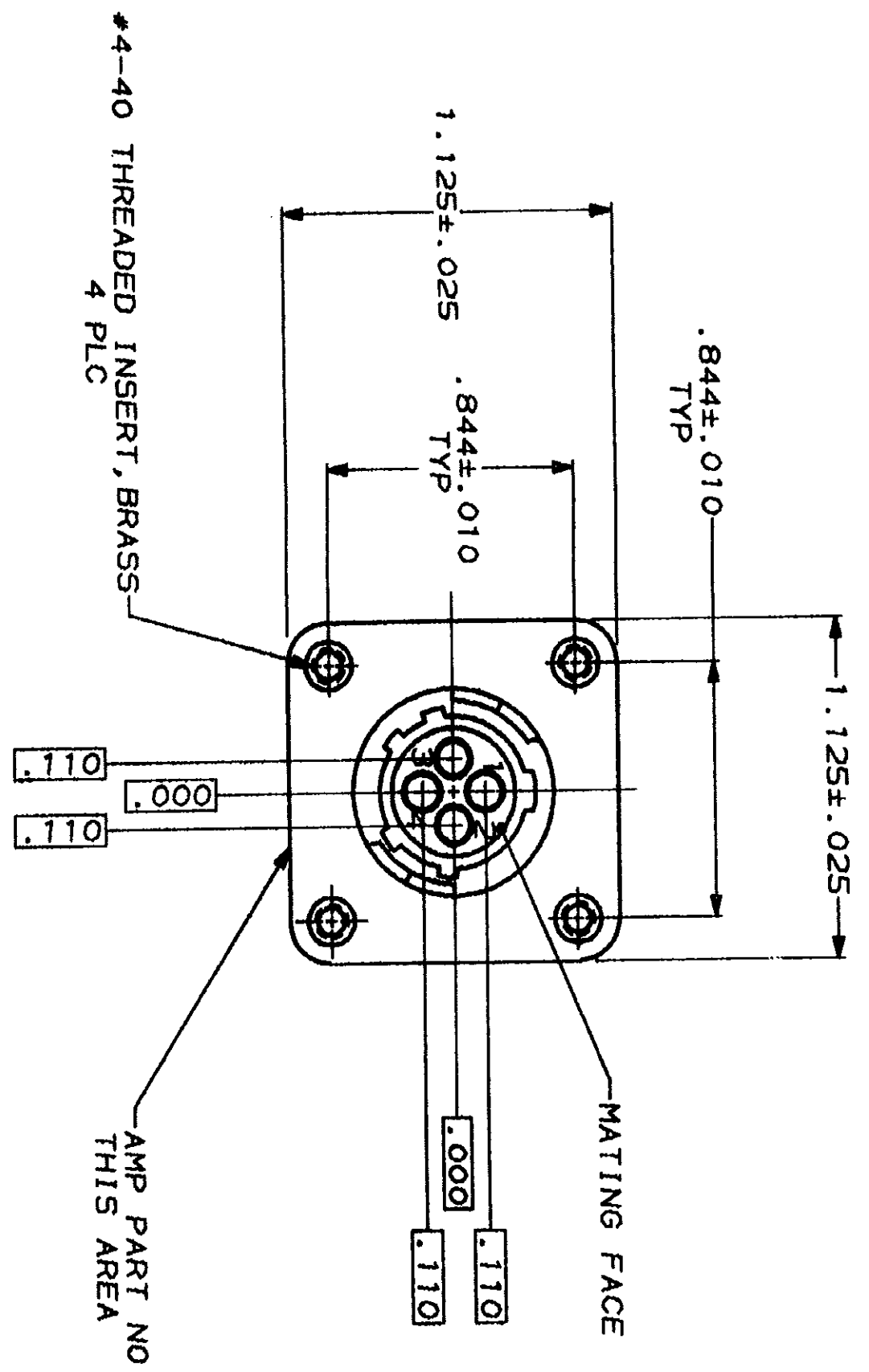
Email & Skype: info@chipsmall.com Web: www.chipsmall.com

Address: A1208, Overseas Decoration Building, #122 Zhenhua RD., Futian, Shenzhen, China



DRAWING MADE IN THIRD ANGLE PROJECTION
 THIS DRAWING IS UNPUBLISHED.
 BY AMP INCORPORATED. ALL INTERNATIONAL RIGHTS RESERVED.

REV	DATE	BY	DESCRIPTION
23	BD	39	REDDRAWN



1. CONTACT CAVITIES IDENTIFIED BY CHARACTERS ON FRONT AND REAR FACES OF CONNECTOR.
2. CONNECTOR WILL ACCEPT FOUR (4) MULTIMATE SOCKET CONTACTS.

DO NOT SCALE PRINT. UNLESS SPECIFIED DIMENSIONS IN INCHES TOLERANCES ON 1		DR B/1/90	AMP
3 PLC DEC ± .005		S. RIDLEY BS	AMP Incorporated
2 PLC DEC ± .005		5-2-91	Harrisburg, PA 17105-3608
1 PLC DEC ± .005		APPD K. Bueck	
MATERIAL THERMOPLASTIC, BLACK		5-2-91	
FINISH		APPD - 9.7 Johnson	
APPLICATION SPEC		5/2/91	
WEIGHT			
SIZE	CAGE CODE	DRAWING NO	RECEPTACLE ASSEMBLY W/THREADED INSERTS, SHELL SIZE 11, REVERSE SEX, SERIES 1, CPC
C	00779	211102	
SCALE	2:1	SHEET	
		1 OF 1	

211102-1
PART NUMBER

211102

CUSTOMER DRAWING