



Chipsmall Limited consists of a professional team with an average of over 10 year of expertise in the distribution of electronic components. Based in Hongkong, we have already established firm and mutual-benefit business relationships with customers from,Europe,America and south Asia,supplying obsolete and hard-to-find components to meet their specific needs.

With the principle of "Quality Parts,Customers Priority,Honest Operation,and Considerate Service",our business mainly focus on the distribution of electronic components. Line cards we deal with include Microchip,ALPS,ROHM,Xilinx,Pulse,ON,Everlight and Freescale. Main products comprise IC,Modules,Potentiometer,IC Socket,Relay,Connector.Our parts cover such applications as commercial,industrial, and automotives areas.

We are looking forward to setting up business relationship with you and hope to provide you with the best service and solution. Let us make a better world for our industry!



## Contact us

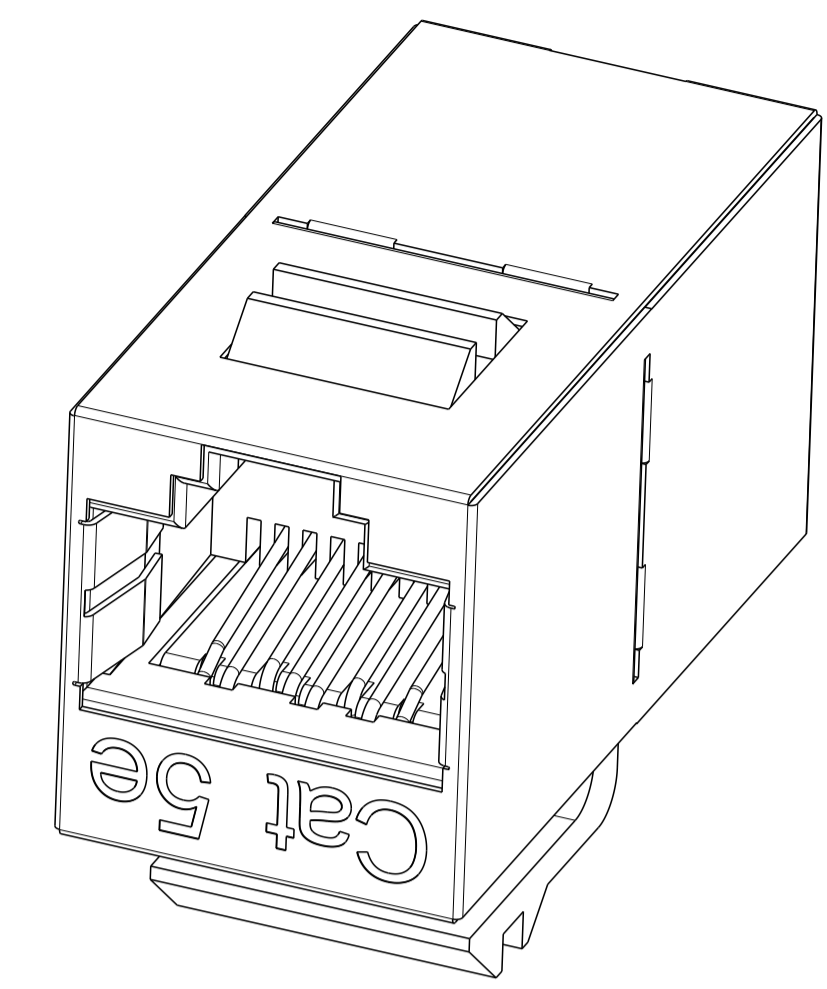
Tel: +86-755-8981 8866 Fax: +86-755-8427 6832

Email & Skype: info@chipsmall.com Web: www.chipsmall.com

Address: A1208, Overseas Decoration Building, #122 Zhenhua RD., Futian, Shenzhen, China

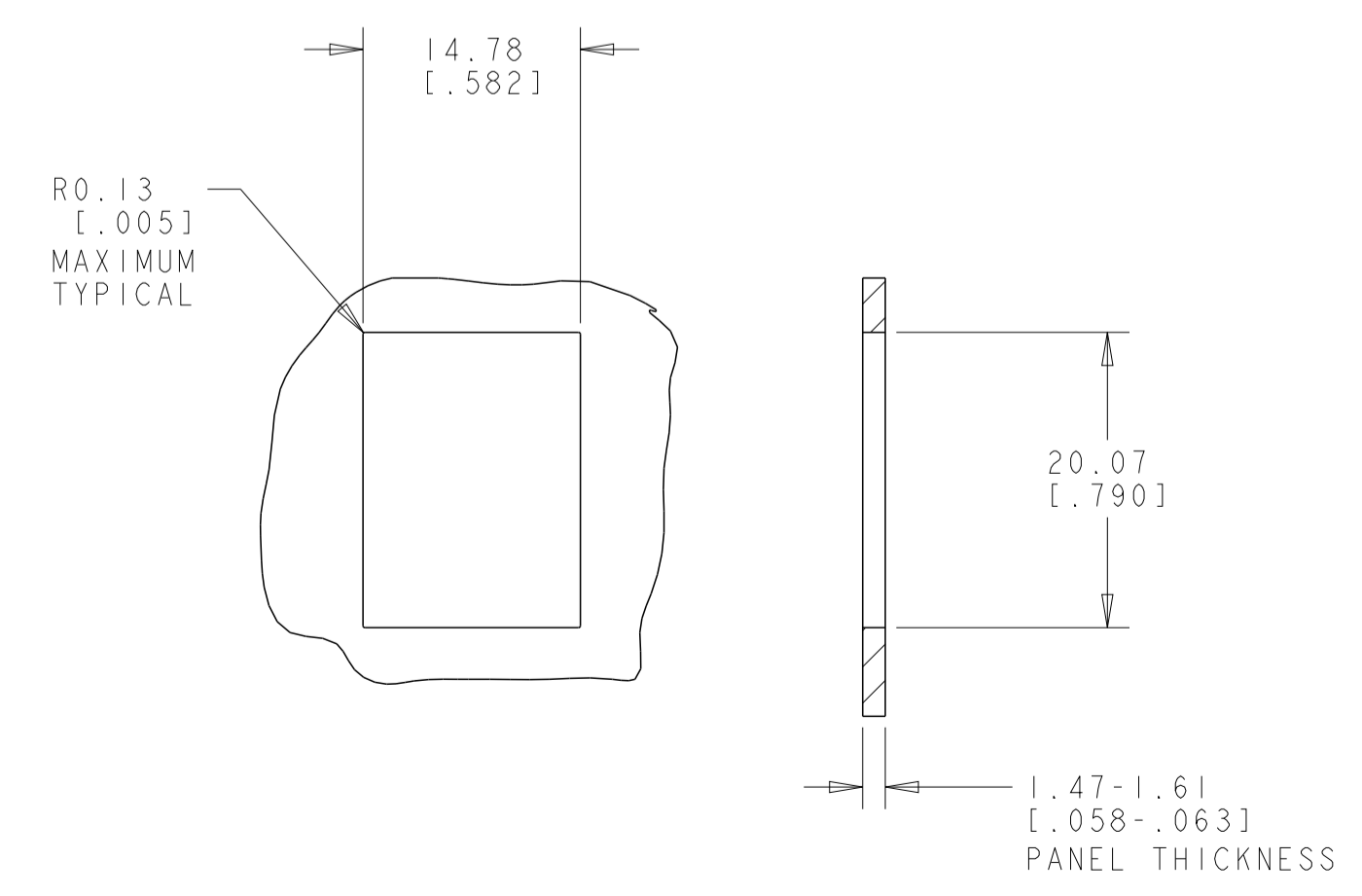
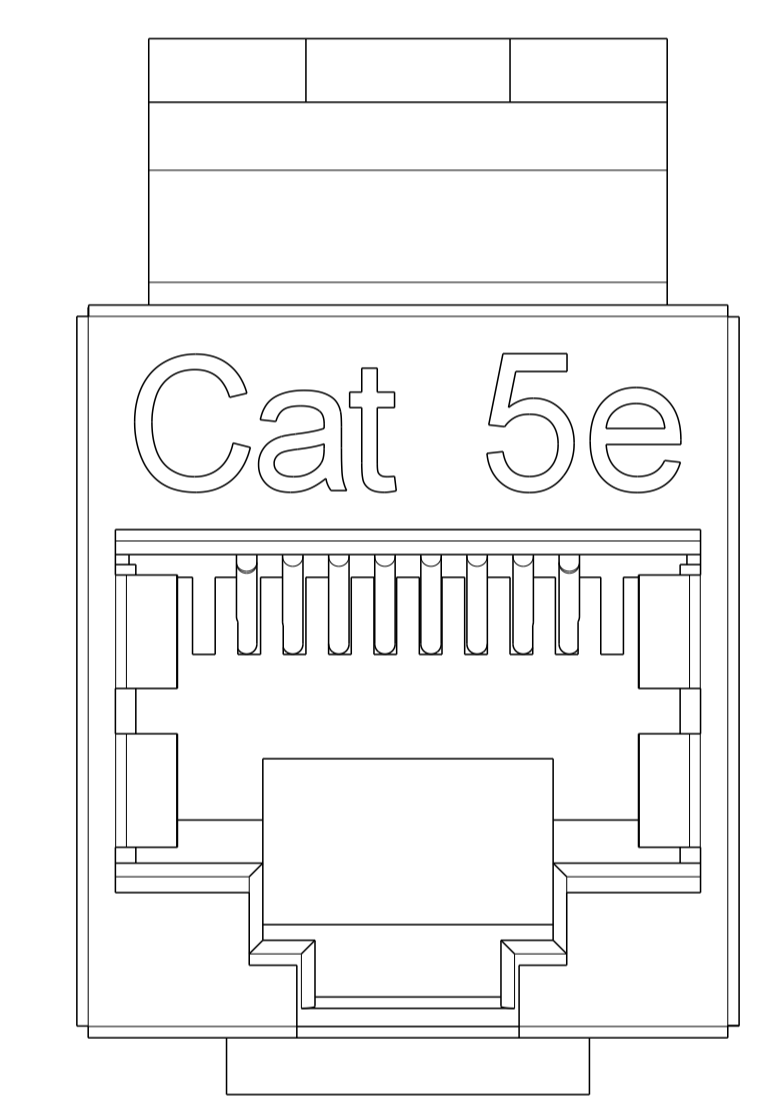
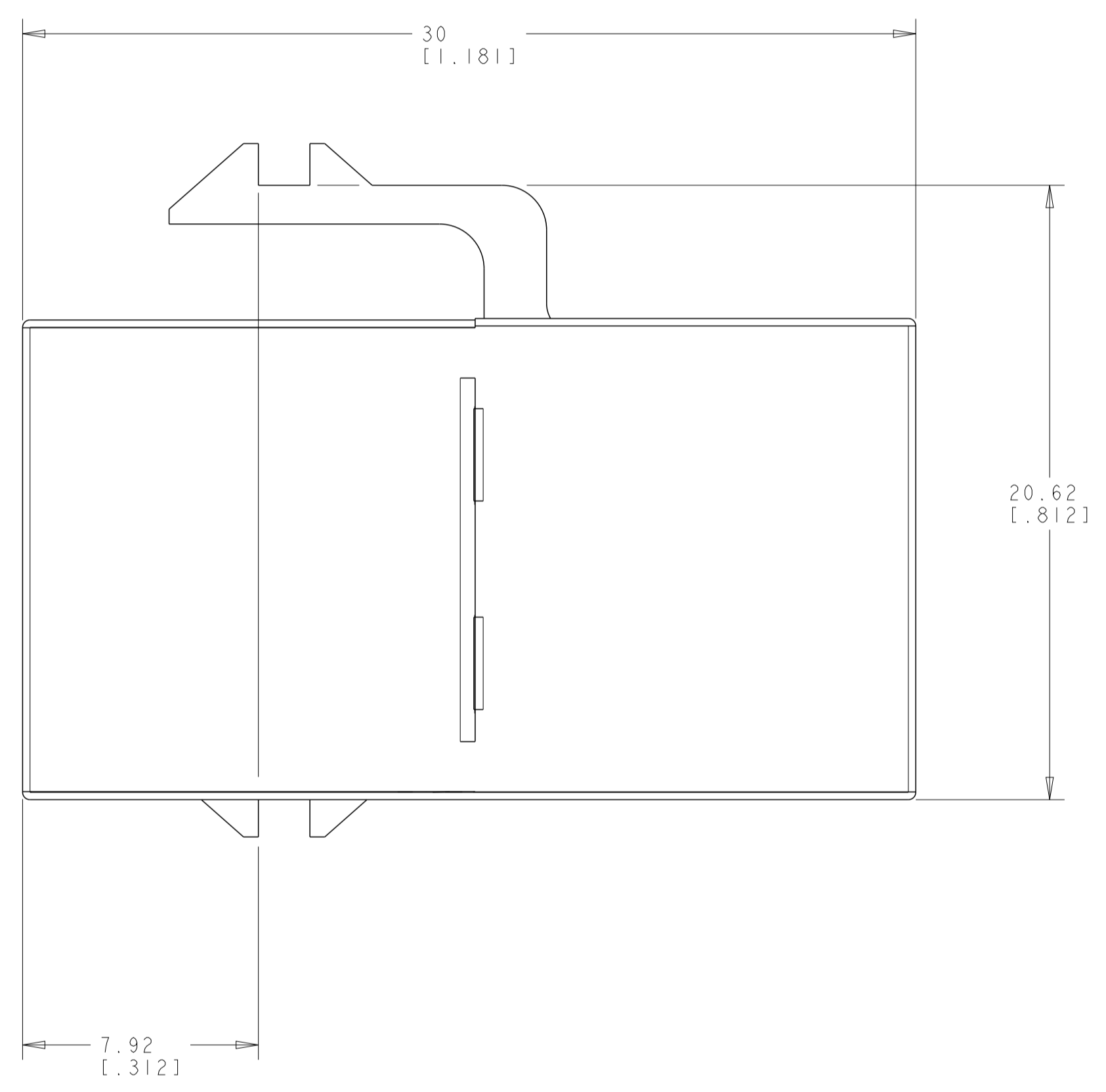
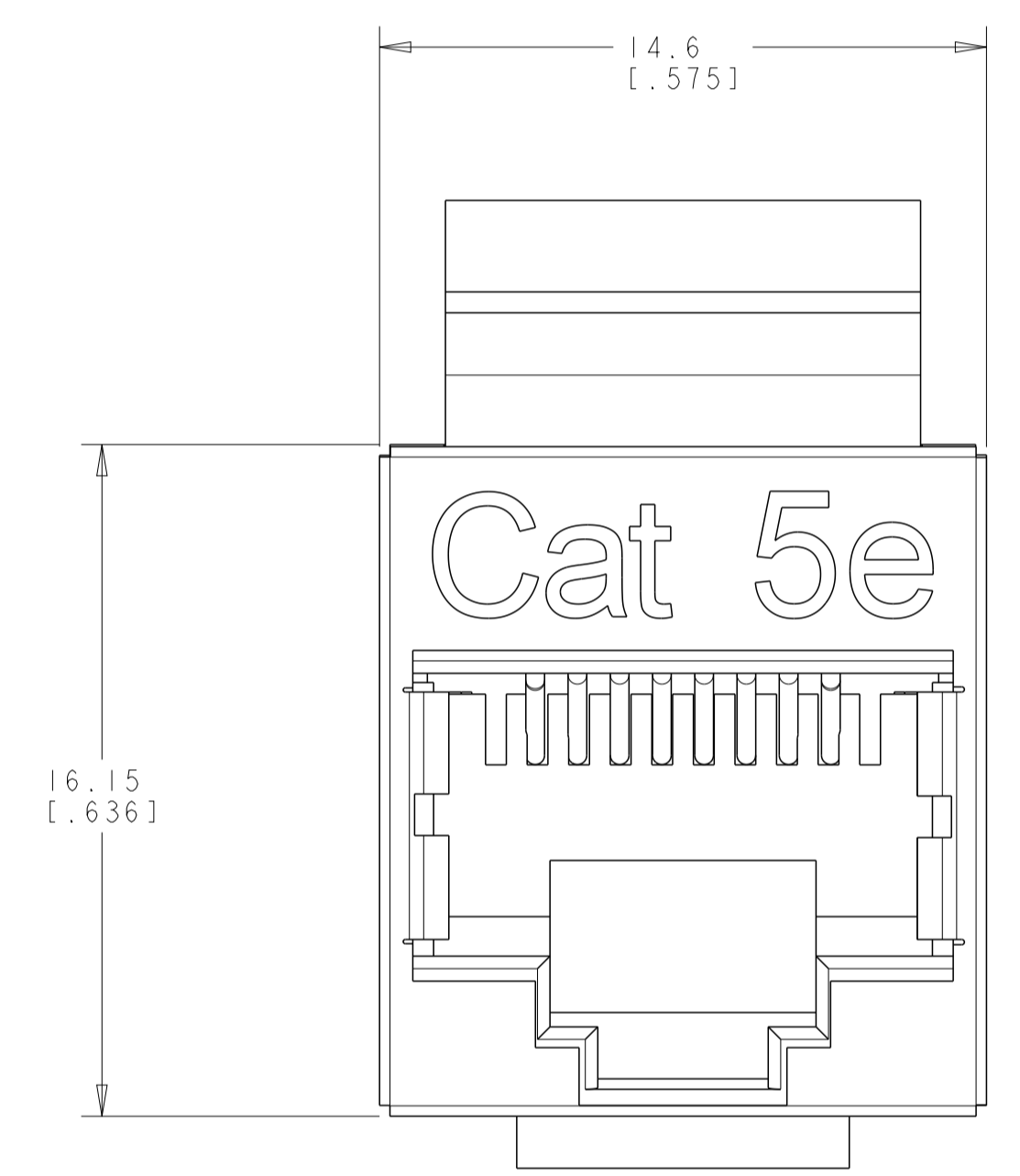


REVISIONS				
P	LTN	DESCRIPTION	DATE	APPD
A	RLSD;	ECO-09-027567	14DEC2009	GG RA
B	REV;	40024240MCO	19AUG2015	GG RA

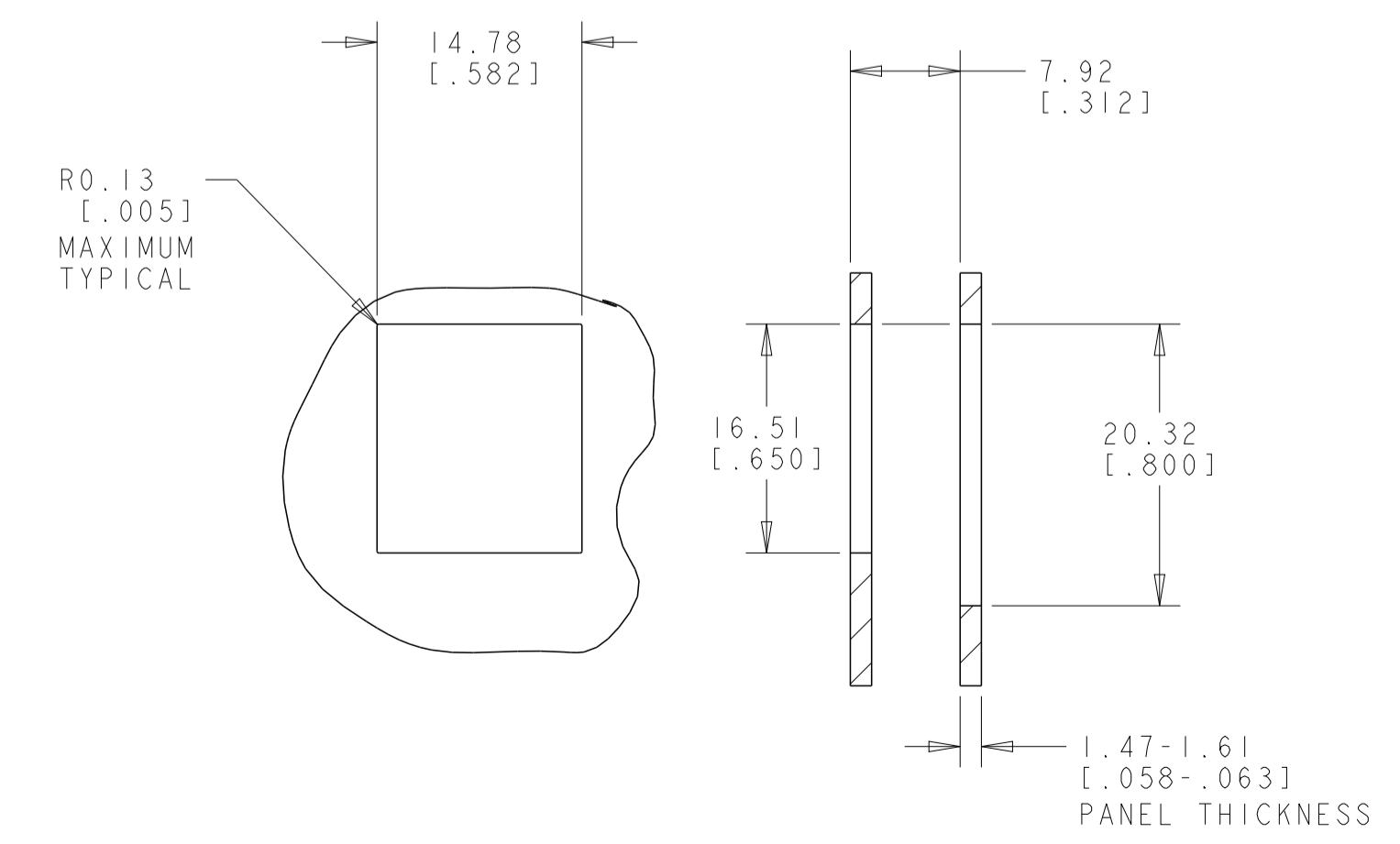


SCALE 4:1

- 1. ALL DIMENSIONS SHOWN ARE NOMINAL UNLESS OTHERWISE SPECIFIED.
- 2. MATERIAL:  
 SHIELDED CASE - COPPER C2680, T=0.25MM, 30u" NICKEL PLATED  
 COUPLER HOUSING - ABS HIGH-IMPACT UL94V-0 THERMOPLASTIC  
 CONTACTS - PHOSPHOR BRONZE, 50u" GOLD OVER 50u" NICKEL UNDERCOAT.
- 3. MOUNTING PANEL THICKNESS .062 [1.57] NOMINAL.



SINGLE PANEL CUTOUT



SUGGESTED FLUSH MOUNT  
 PANEL APPLICATION CUTOUT

2111122-1  
 PART NUMBER

THIS DRAWING IS A CONTROLLED DOCUMENT.		DWN G. GARRETT 18NOV2009	TE Connectivity
DIMENSIONS: INCHES [MM]		CHK R. ASHBY 18NOV2009	
TOLERANCES UNLESS OTHERWISE SPECIFIED: 0 PLC ± 1 PLC ± 2 PLC ± 3 PLC ± 4 PLC ± ANGLES ± FINISH ±		NAME PRODUCT SPEC APPLICATION SPEC SIZE CAGE CODE DRAWING NO RESTRICTED TO	COUPLER, SL, INLINE, CAT5E, SHIELDED - A100779C=2111122 Customer Drawing
MATERIAL FINISH		WEIGHT SCALE 6:1 SHEET 1 OF 1 REV B	