



Chipsmall Limited consists of a professional team with an average of over 10 year of expertise in the distribution of electronic components. Based in Hongkong, we have already established firm and mutual-benefit business relationships with customers from,Europe,America and south Asia,supplying obsolete and hard-to-find components to meet their specific needs.

With the principle of “Quality Parts,Customers Priority,Honest Operation,and Considerate Service”,our business mainly focus on the distribution of electronic components. Line cards we deal with include Microchip,ALPS,ROHM,Xilinx,Pulse,ON,Everlight and Freescale. Main products comprise IC,Modules,Potentiometer,IC Socket,Relay,Connector.Our parts cover such applications as commercial,industrial, and automotives areas.

We are looking forward to setting up business relationship with you and hope to provide you with the best service and solution. Let us make a better world for our industry!



Contact us

Tel: +86-755-8981 8866 Fax: +86-755-8427 6832

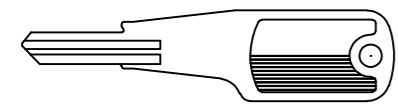
Email & Skype: info@chipsmall.com Web: www.chipsmall.com

Address: A1208, Overseas Decoration Building, #122 Zhenhua RD., Futian, Shenzhen, China



THIS DRAWING IS UNPUBLISHED. RELEASED FOR PUBLICATION
 © COPYRIGHT BY TYCO ELECTRONICS CORPORATION. ALL RIGHTS RESERVED.

LOC	DIST	REVISIONS					
		P	LTR	DESCRIPTION	DATE	DWN	APVD
HM	00		A	RLSD PER ECO-10-005369	16MAR2010	LH	BM
			B	REV ECO-10-015964	03AUG2010	LH	BM



2 KEYS (456A)
INCLUDED

LOCK ASSEMBLY,
QUANTITY 1

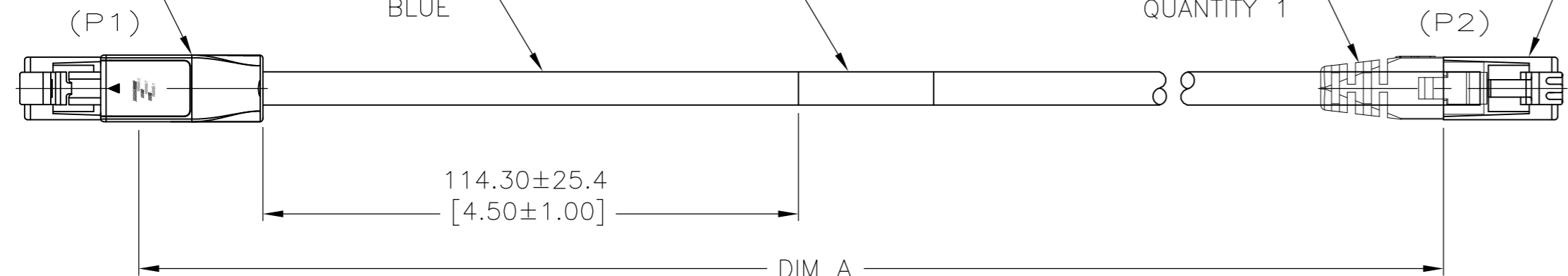
3 CABLE
BLUE

LABEL

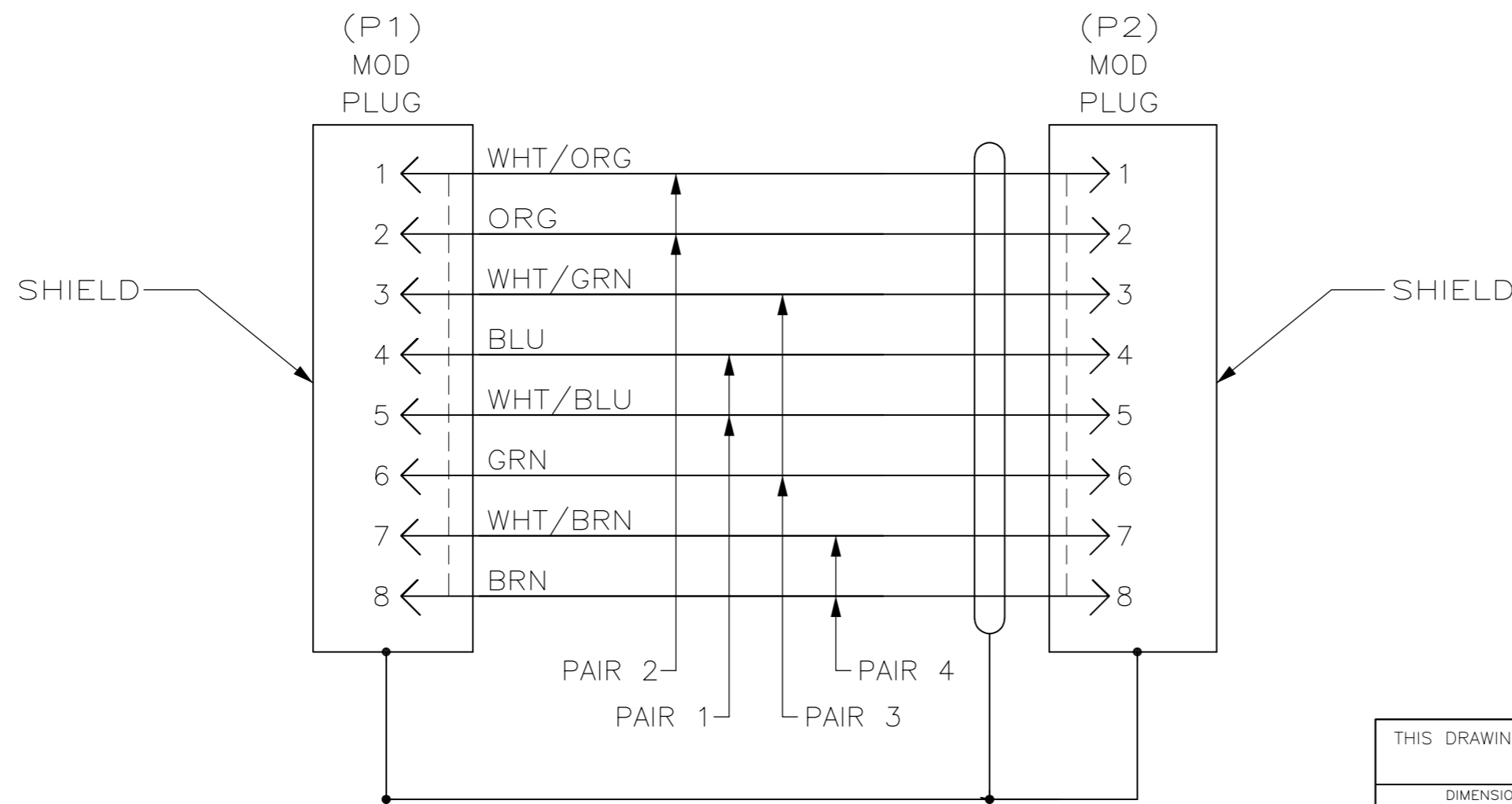
BOOT, CLEAR
QUANTITY 1

SHIELDED
MODULAR PLUG
8 POSITION
QUANTITY 1

TERMINAL 1



- ONE CABLE PACKAGED IN A POLY BAG.
- DIMENSIONS ARE MAXIMUM UNLESS OTHERWISE SPECIFIED.
- CABLE: SHIELDED XG SYSTEMS, 100 OHMS CAT6A.
- DESIGNATIONS IN PARENTHESES () ARE FOR REFERENCE ONLY.



WIRING DIAGRAM
568B

6.1	20	6197.6 (244.00)	2-2111236-0
5.49	18	5588.0 (220.00)	1-2111236-8
4.88	16	4978.4 (196.00)	1-2111236-6
4.27	14	4368.8 (172.00)	1-2111236-4
3.66	12	3759.2 (148.00)	1-2111236-2
3.05	10	3149.6 (124.00)	1-2111236-0
2.74	9	2794.0 (110.00)	2111236-9
2.44	8	2489.2 (98.00)	2111236-8
2.14	7	2184.4 (86.00)	2111236-7
1.83	6	1879.6 (74.00)	2111236-6
1.53	5	1574.8 (62.00)	2111236-5
1.22	4	1270.0 (50.00)	2111236-4
0.92	3	965.2 (38.00)	2111236-3
0.61	2	660.4 (26.00)	2111236-2
0.30	1	355.6 (14.00)	2111236-1
METERS, REF	FEET, REF	DIM A	PART NO

THIS DRAWING IS A CONTROLLED DOCUMENT.

DWN	L. HALL	15MAR2010	Tyco Electronics Corporation Harrisburg, PA 17105-3608
CHK	B. MCNEILL	16MAR2010	
APVD	B. MCNEILL	16MAR2010	
PRODUCT SPEC	NAME		
APPLICATION SPEC			CABLE ASSEMBLY, CAT 6A, SECURITY KEY, MOD PLUG LOCK- MOD PLUG, BLUE
WEIGHT			SIZE
MATERIAL			CAGE CODE
FINISH			DRAWING NO
TOLERANCES UNLESS OTHERWISE SPECIFIED:			RESTRICTED TO
0 PLC ± -			A2 00779 C=2111236
1 PLC ± -			
2 PLC ± -			
3 PLC ± -			
4 PLC ± -			SCALE
ANGLES ± -			SHEET
FINISH			1 OF 1
CUSTOMER DRAWING			REV
			B