



Chipsmall Limited consists of a professional team with an average of over 10 year of expertise in the distribution of electronic components. Based in Hongkong, we have already established firm and mutual-benefit business relationships with customers from,Europe,America and south Asia,supplying obsolete and hard-to-find components to meet their specific needs.

With the principle of “Quality Parts,Customers Priority,Honest Operation,and Considerate Service”,our business mainly focus on the distribution of electronic components. Line cards we deal with include Microchip,ALPS,ROHM,Xilinx,Pulse,ON,Everlight and Freescale. Main products comprise IC,Modules,Potentiometer,IC Socket,Relay,Connector.Our parts cover such applications as commercial,industrial, and automotives areas.

We are looking forward to setting up business relationship with you and hope to provide you with the best service and solution. Let us make a better world for our industry!



## Contact us

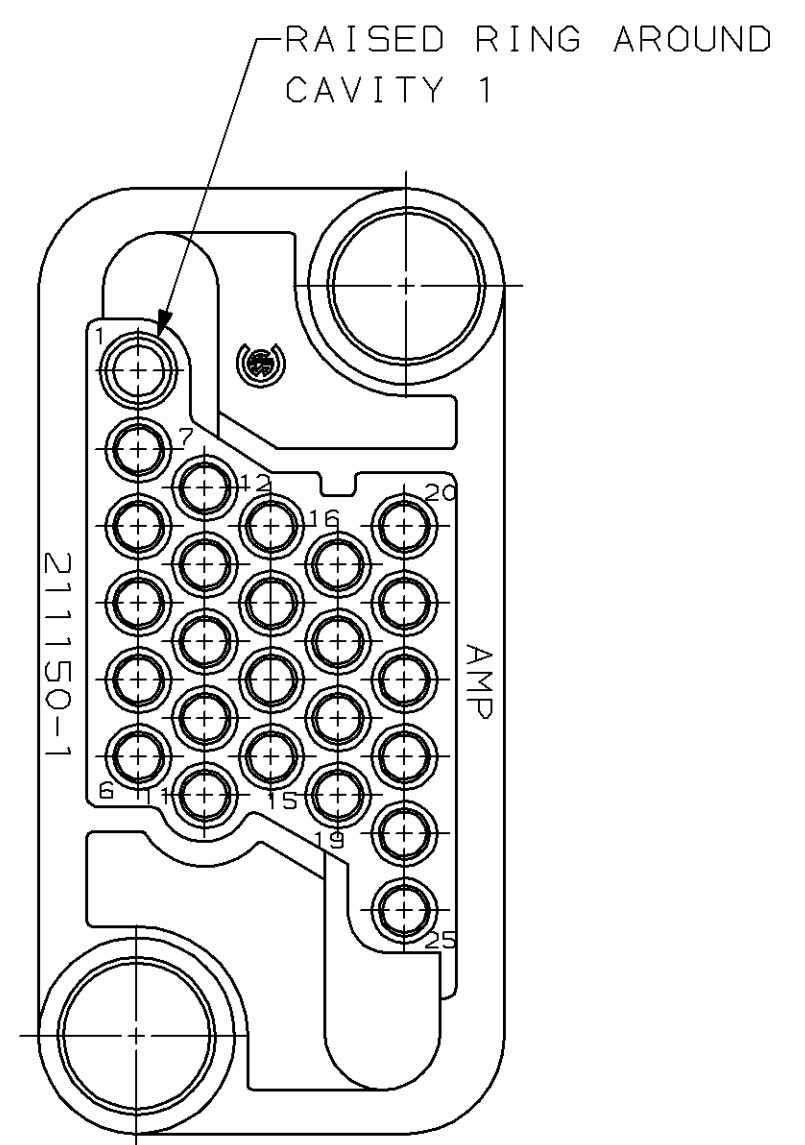
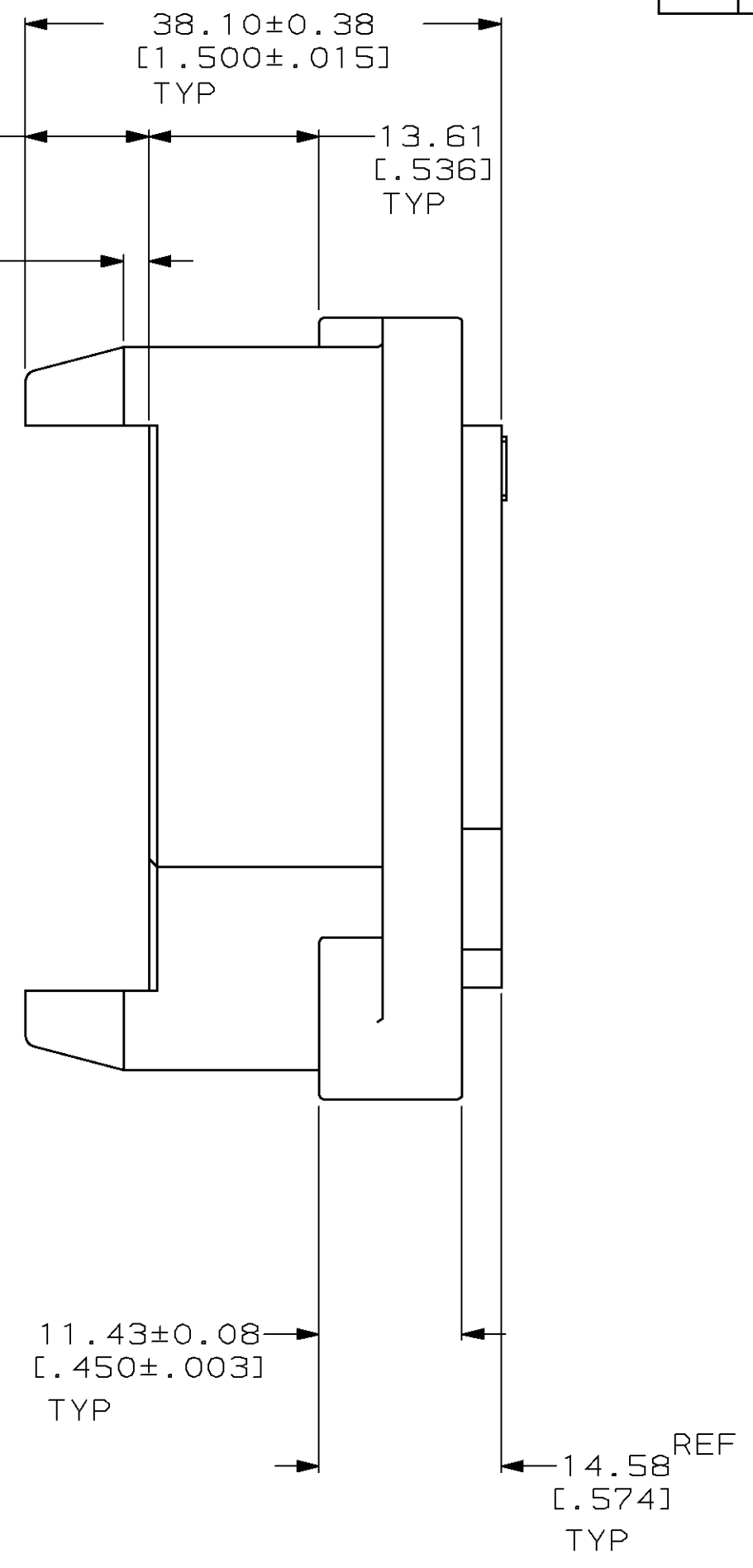
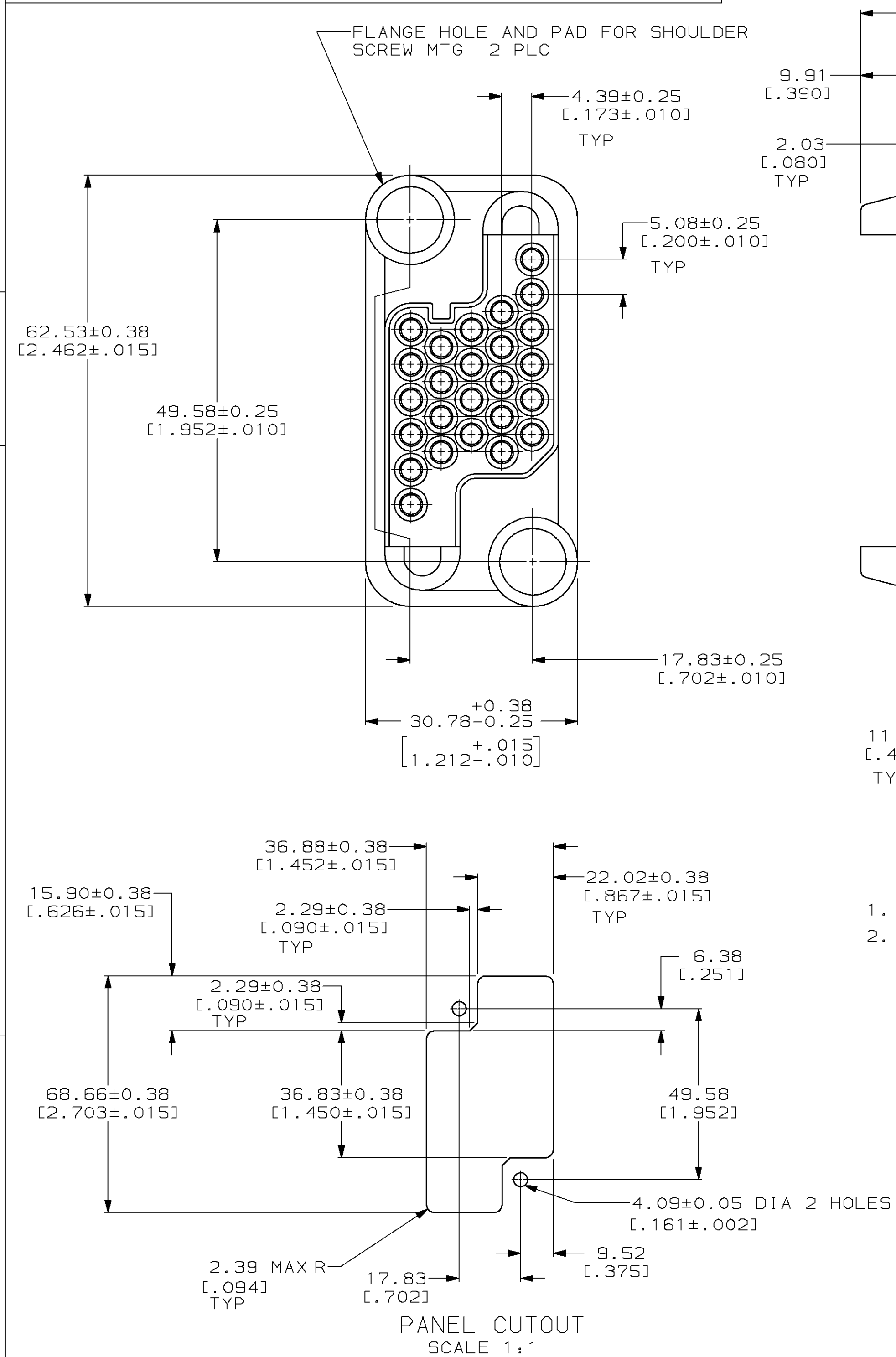
Tel: +86-755-8981 8866 Fax: +86-755-8427 6832

Email & Skype: info@chipsmall.com Web: www.chipsmall.com

Address: A1208, Overseas Decoration Building, #122 Zhenhua RD., Futian, Shenzhen, China



LOC	DIST	P	F	ZONE	LTR	DESCRIPTION	DATE	APPD
FT	13				F	REDRAWN & REV PER ECN BD5737	01/14/92	-
					G	REV PER EC 0320-301-97	08 SEP 97	MM



1. THIS CONNECTOR MATES WITH PIN HOUSING 211149.
2. FOR MOUNTING SCREW INFORMATION SEE DRAWING 208211.

211150-1
PART NO
PART NO

DO NOT SCALE PRINT. UNLESS SPECIFIED DIMENSIONS IN mm [INCHES] TOLERANCES ON : 2 PLC DEC ± 0.13 [.005] 3 PLC DEC ± - ANGLES ± -	DR 01/14/92 C.OBERMAN	<b>AMP</b> AMP Incorporated Harrisburg, PA 17105-3608
	CHK 1-22-92 R.STONE	
MATERIAL POLYESTER, UL 94V-0 RATED, BLACK	APPD 1-22-92 A.TRAVIS	NAME SOCKET HOUSING, 25 POSN METRIMATE
FINISH -	APPD 1-23-92 C.ROHDE	SIZE C 00779
	APPLICATION SPEC -	DRAWING NO 211150
	WEIGHT -	SCALE 2:1
		SHEET 1 OF 1