



Chipsmall Limited consists of a professional team with an average of over 10 year of expertise in the distribution of electronic components. Based in Hongkong, we have already established firm and mutual-benefit business relationships with customers from,Europe,America and south Asia,supplying obsolete and hard-to-find components to meet their specific needs.

With the principle of “Quality Parts,Customers Priority,Honest Operation,and Considerate Service”,our business mainly focus on the distribution of electronic components. Line cards we deal with include Microchip,ALPS,ROHM,Xilinx,Pulse,ON,Everlight and Freescale. Main products comprise IC,Modules,Potentiometer,IC Socket,Relay,Connector.Our parts cover such applications as commercial,industrial, and automotives areas.

We are looking forward to setting up business relationship with you and hope to provide you with the best service and solution. Let us make a better world for our industry!



Contact us

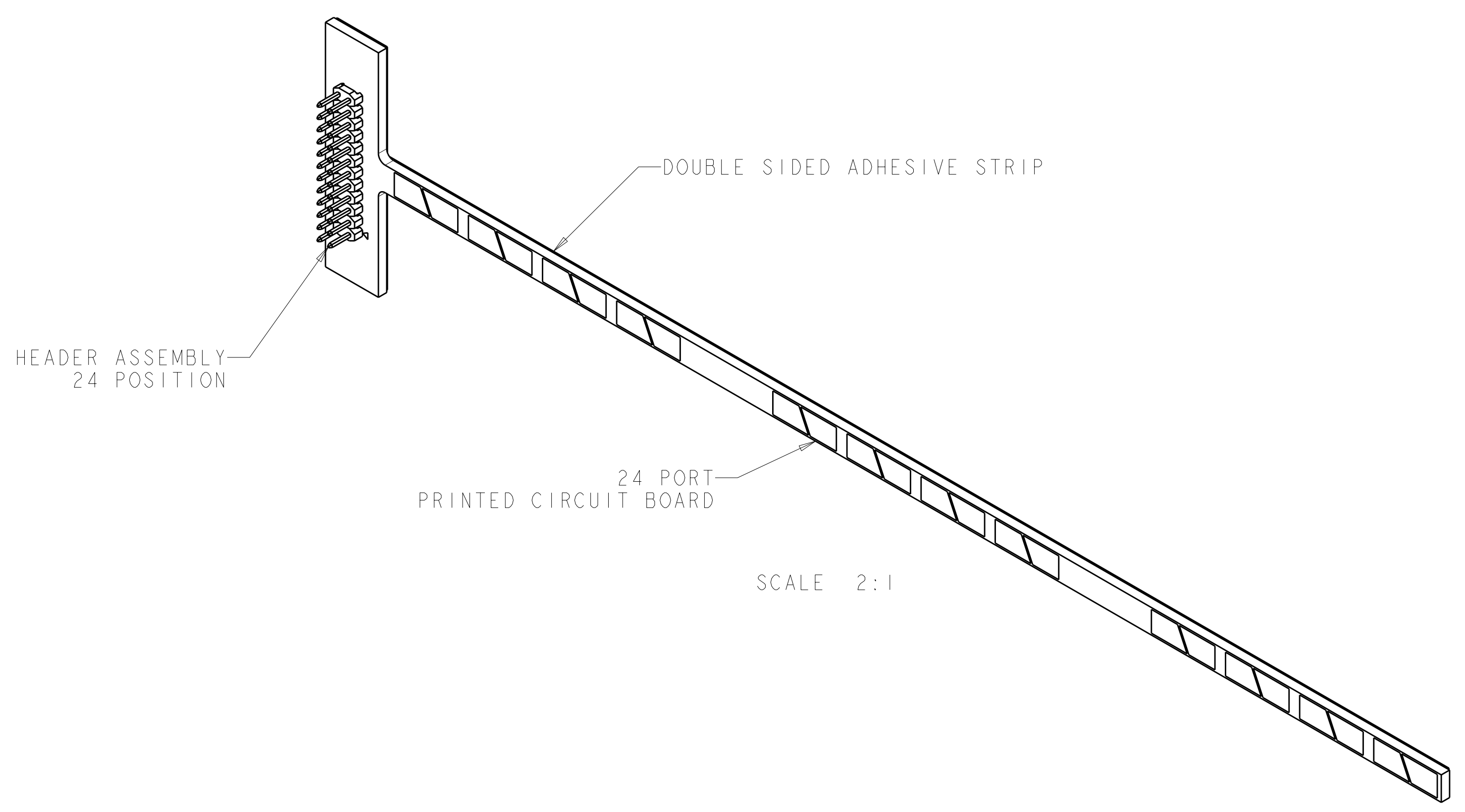
Tel: +86-755-8981 8866 Fax: +86-755-8427 6832

Email & Skype: info@chipsmall.com Web: www.chipsmall.com

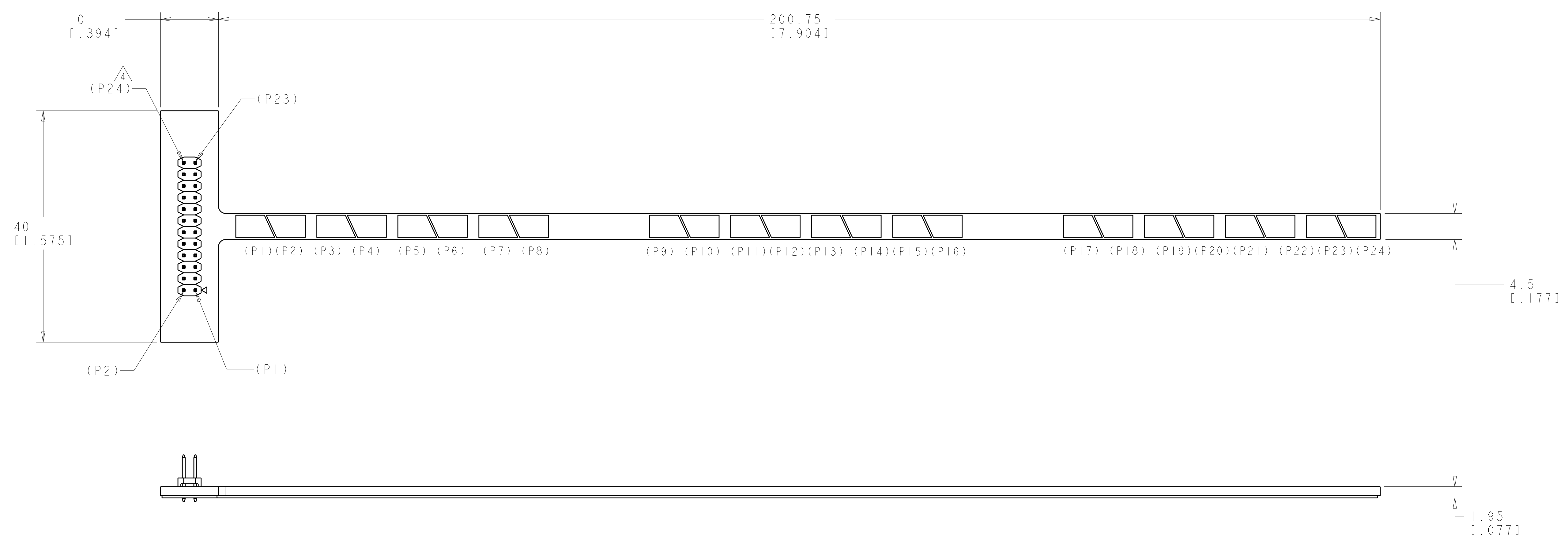
Address: A1208, Overseas Decoration Building, #122 Zhenhua RD., Futian, Shenzhen, China



LOC	DIST	REV	DATE	BY	APPD
HM	00	A	14FEB2012	GG	SH



- 1 MATERIAL:
 PRINTED CIRCUIT BOARD - LAMINATED PLASTIC FR-4, 1.57 [.062] THICK.
 ADHESIVE TAPE - MYLAR, 0.38 [.015] THICK.
 HOUSINGS - THERMOPLASTIC, UL94V-0, BLACK.
 CONTACTS - COPPER ALLOY.
- 2 ALL DIMENSIONS SHOWN ARE NOMINAL.
- 3 PARENTHESIS () ARE FOR REFERENCE ONLY. NOT SHOWN ON BOARD.
- 4 (P_) CALLOUTS ARE FOR PIN TO PAD REFERENCE ONLY.



2111533-1
 PART NUMBER

THIS DRAWING IS A CONTROLLED DOCUMENT.		DWN S. GARRETT	11JAN2012	TE Connectivity NAME: ASSEMBLY, AMPTRAC PCB SENSOR STRIP, 24 PORT, VDS SIZE: CAGE CODE DRAWING NO: A100779C=2111533 RESTRICTED TO:
DIMENSIONS: MM [INCHES]		CHK S. HERNDON	11JAN2012	
TOLERANCES UNLESS OTHERWISE SPECIFIED:		APVD S. HERNDON	11JAN2012	
0 PLC ± 1 PLC ± 2 PLC ± 3 PLC ± 4 PLC ± ANGLES ± FINISH ±		PRODUCT SPEC APPLICATION SPEC WEIGHT CUSTOMER DRAWING	SCALE: 5:2 SHEET 1 OF 1 REV A	