



Chipsmall Limited consists of a professional team with an average of over 10 year of expertise in the distribution of electronic components. Based in Hongkong, we have already established firm and mutual-benefit business relationships with customers from,Europe,America and south Asia,supplying obsolete and hard-to-find components to meet their specific needs.

With the principle of "Quality Parts,Customers Priority,Honest Operation,and Considerate Service",our business mainly focus on the distribution of electronic components. Line cards we deal with include Microchip,ALPS,ROHM,Xilinx,Pulse,ON,Everlight and Freescale. Main products comprise IC,Modules,Potentiometer,IC Socket,Relay,Connector.Our parts cover such applications as commercial,industrial, and automotives areas.

We are looking forward to setting up business relationship with you and hope to provide you with the best service and solution. Let us make a better world for our industry!



Contact us

Tel: +86-755-8981 8866 Fax: +86-755-8427 6832

Email & Skype: info@chipsmall.com Web: www.chipsmall.com

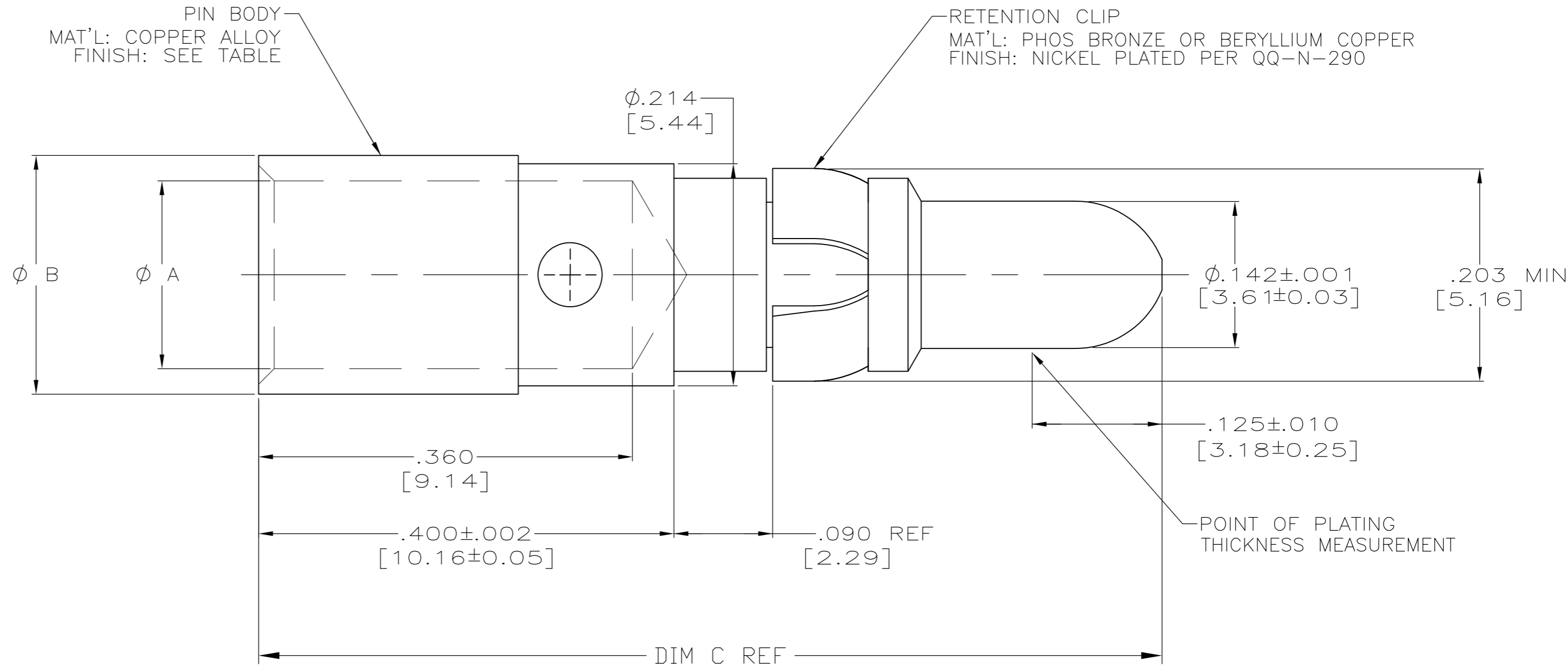
Address: A1208, Overseas Decoration Building, #122 Zhenhua RD., Futian, Shenzhen, China



THIS DRAWING IS UNPUBLISHED. RELEASED FOR PUBLICATION
 © COPYRIGHT BY TYCO ELECTRONICS CORPORATION. ALL INTERNATIONAL RIGHTS RESERVED.

LOC		DIST		REVISIONS			
P	LTR	DESCRIPTION	DATE	DWN	APVD		
	R	REV PER ECO-10-000179	27JAN10	PY	RL		

1. THIS PART CONFORMS TO REQUIREMENTS FOR DANIELS CRIMP TOOL NO. M300-BT, WITH DANIELS POSITIONER PART NO. SP689, STRIP LENGTH .375, #8 AWG SETTING 7, #10 AWG SETTING 3.
2. MATES WITH 211161-1 IN AMPLIMITE CONNECTOR ASSEMBLIES ONLY.
3. FINISH: PLATED GOLD .000050 [0.00127] MIN THK PER MIL-G-45204 OVER NICKEL .000050 [0.00127] MIN THK PER QQ-N-290.
4. FINISH: PLATED GOLD .000030 [0.00076] MIN THK PER MIL-G-45204 OVER NICKEL .000050 [0.00127] MIN THK PER QQ-N-290.
5. NOT FOR GENERAL DISTRIBUTION; USAGE RESTRICTED TO SPECIFIC CUSTOMER CONFIGURATION.



PRELIMINARY- NOT RELEASED FOR PRODUCTION	5	3	.948 [24.08]	.230 [5.84]	.181 [4.60]	#8 AWG	211159-5
PRELIMINARY- NOT RELEASED FOR PRODUCTION	2	4	.870 [22.10]	.185 [4.70]	.136 [3.45]	#10 AWG	211159-4
PRELIMINARY- NOT RELEASED FOR PRODUCTION	2	4	.870 [22.10]	.230 [5.84]	.181 [4.60]	#8 AWG	211159-3
	2	3	.870 [22.10]	.185 [4.70]	.136 [3.45]	#10 AWG	211159-2
	2	3	.870 [22.10]	.230 [5.84]	.181 [4.60]	#8 AWG	211159-1
REMARKS	FINISH	DIM C	DIM B	DIM A	WIRE SIZE	PART NUMBER	

THIS DRAWING IS A CONTROLLED DOCUMENT.

DWN	C.C.THOMAS	11/10/00
CHK	D.MILLER	11/10/00
APVD	D.MILLER	11/10/00
PRODUCT SPEC	108-10045	
APPLICATION SPEC	114-10014	
WEIGHT	-	
CUSTOMER DRAWING	SCALE 10:1	SHEET 1 of 1

Tyco Electronics Tyco Electronics Corporation
Harrisburg, PA 17105-3608

ASSEMBLY, PIN CONTACT
POWER VIII, #8 & #10 AWG

SIZE A2 CAGE CODE 00779 C=211159 RESTRICTED TO