



Chipsmall Limited consists of a professional team with an average of over 10 year of expertise in the distribution of electronic components. Based in Hongkong, we have already established firm and mutual-benefit business relationships with customers from,Europe,America and south Asia,supplying obsolete and hard-to-find components to meet their specific needs.

With the principle of “Quality Parts,Customers Priority,Honest Operation,and Considerate Service”,our business mainly focus on the distribution of electronic components. Line cards we deal with include Microchip,ALPS,ROHM,Xilinx,Pulse,ON,Everlight and Freescale. Main products comprise IC,Modules,Potentiometer,IC Socket,Relay,Connector.Our parts cover such applications as commercial,industrial, and automotives areas.

We are looking forward to setting up business relationship with you and hope to provide you with the best service and solution. Let us make a better world for our industry!



Contact us

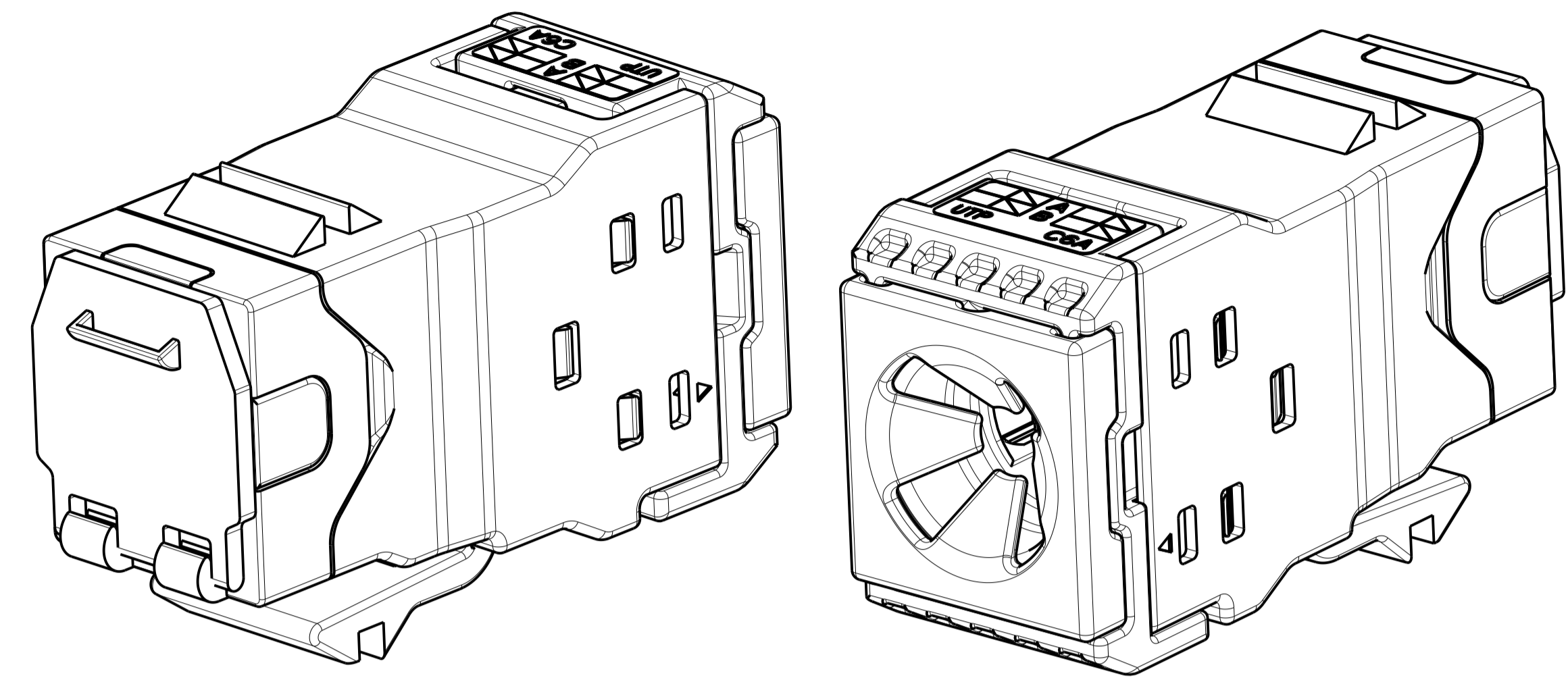
Tel: +86-755-8981 8866 Fax: +86-755-8427 6832

Email & Skype: info@chipsmall.com Web: www.chipsmall.com

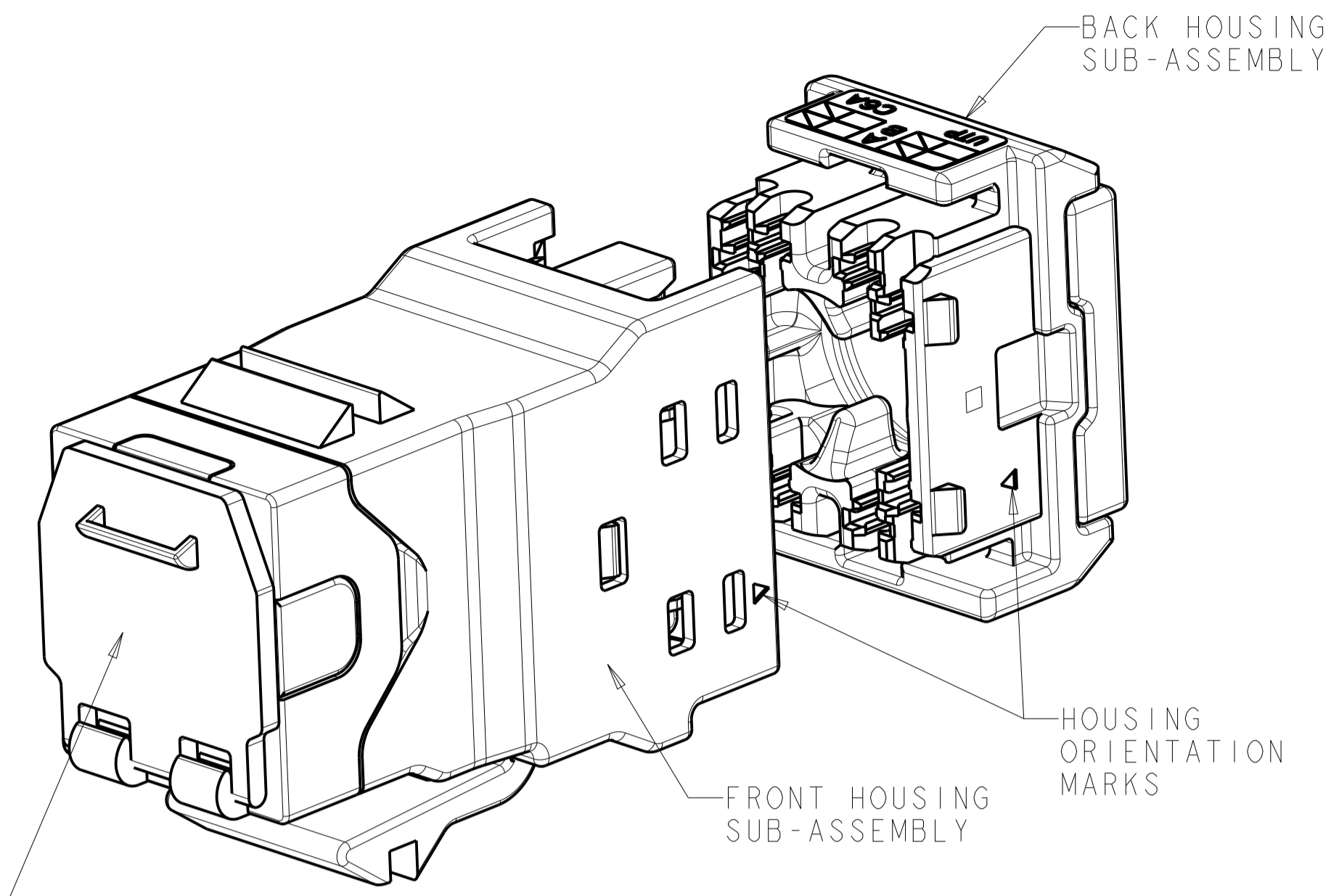
Address: A1208, Overseas Decoration Building, #122 Zhenhua RD., Futian, Shenzhen, China



REVISIONS				
REV	LTN	DESCRIPTION	DATE	OWN APVD
A	ECO-13-008665		04JUN2013	JM SJ
B	REV PER BNS_CD_BRAND		01FEB2017	GG DC

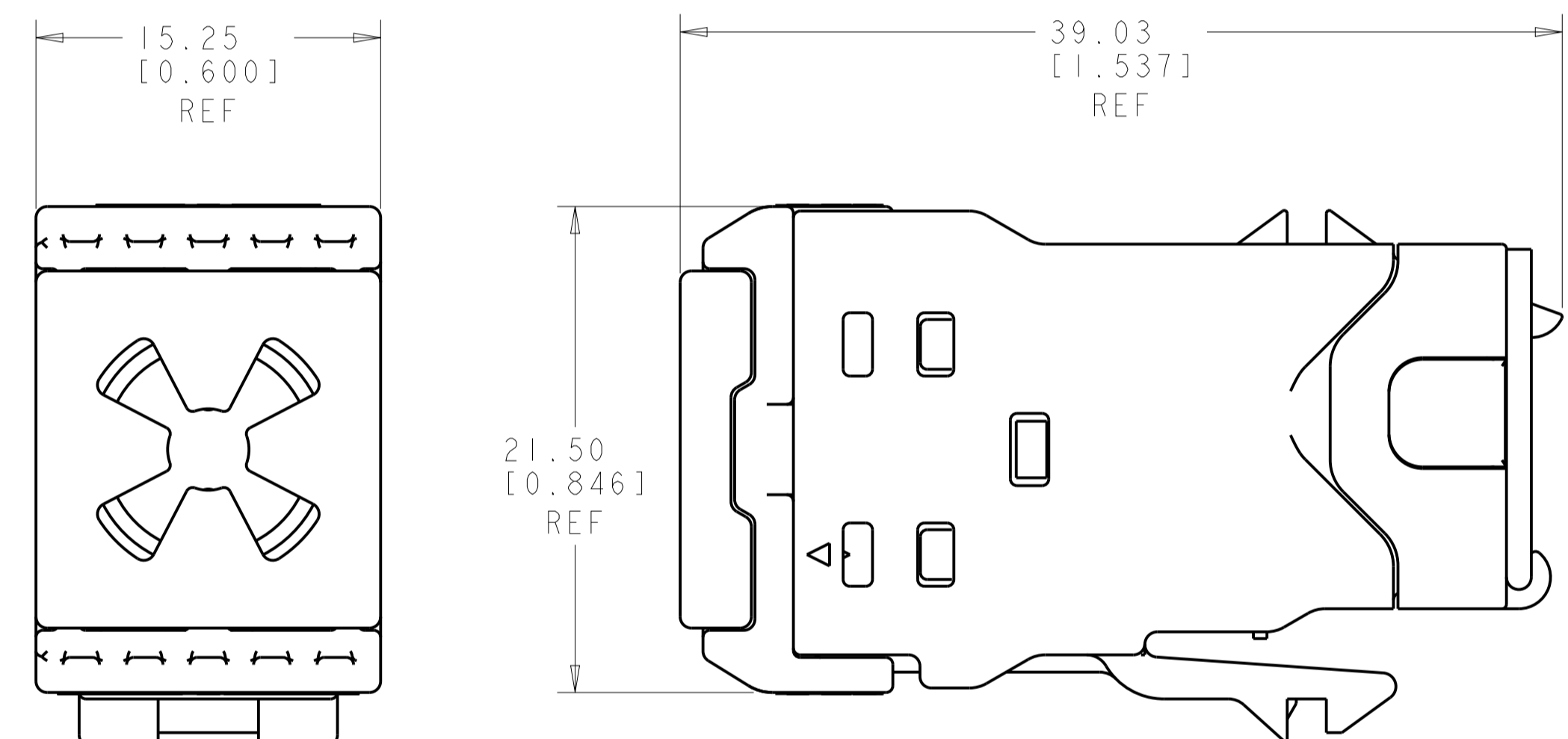


ASSEMBLED VIEW SHOWN

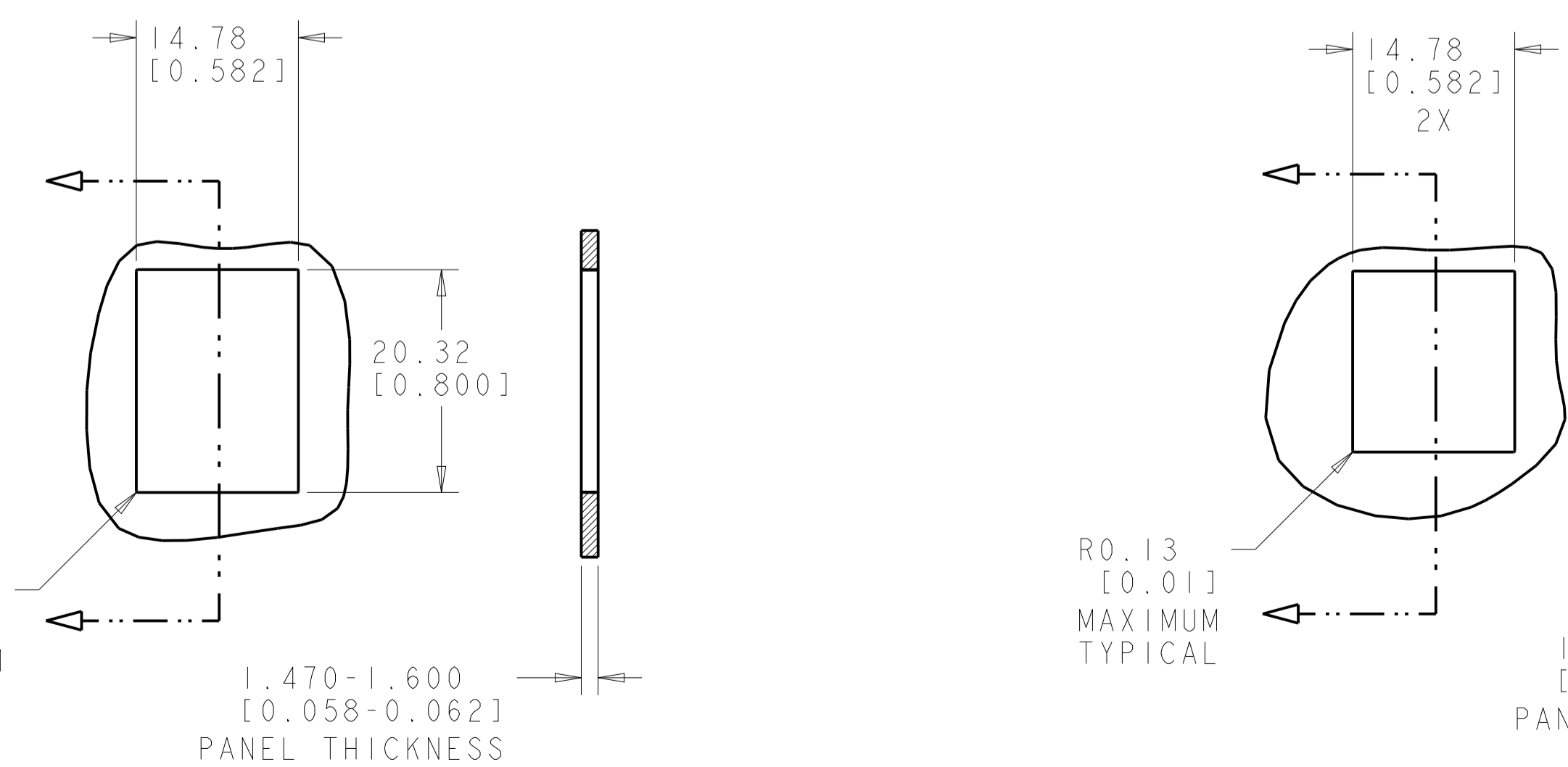
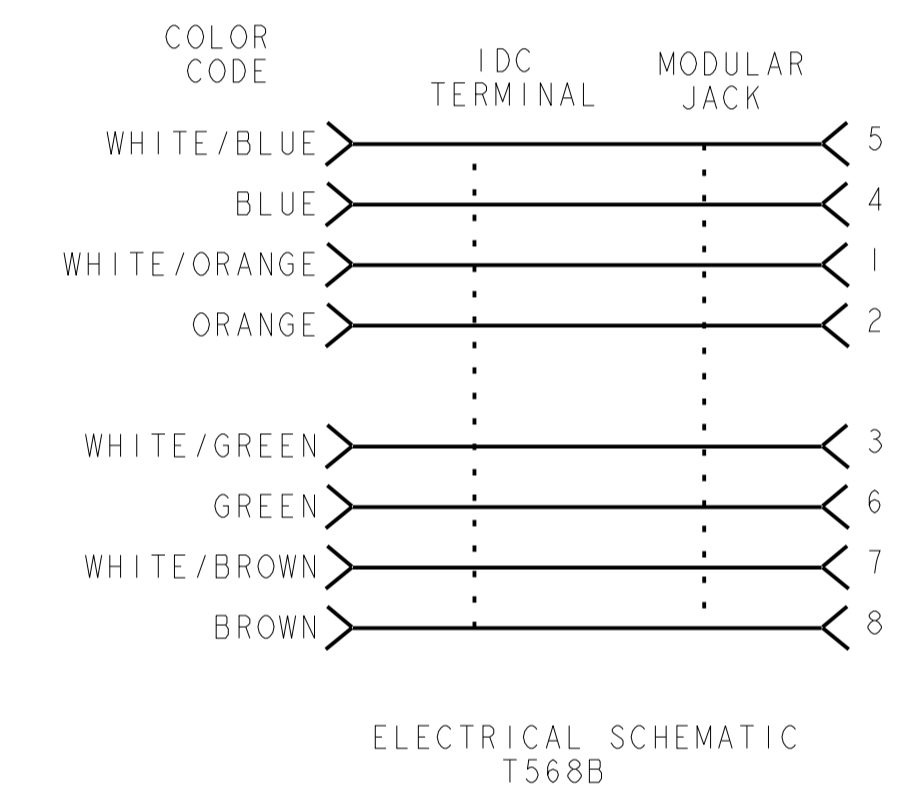
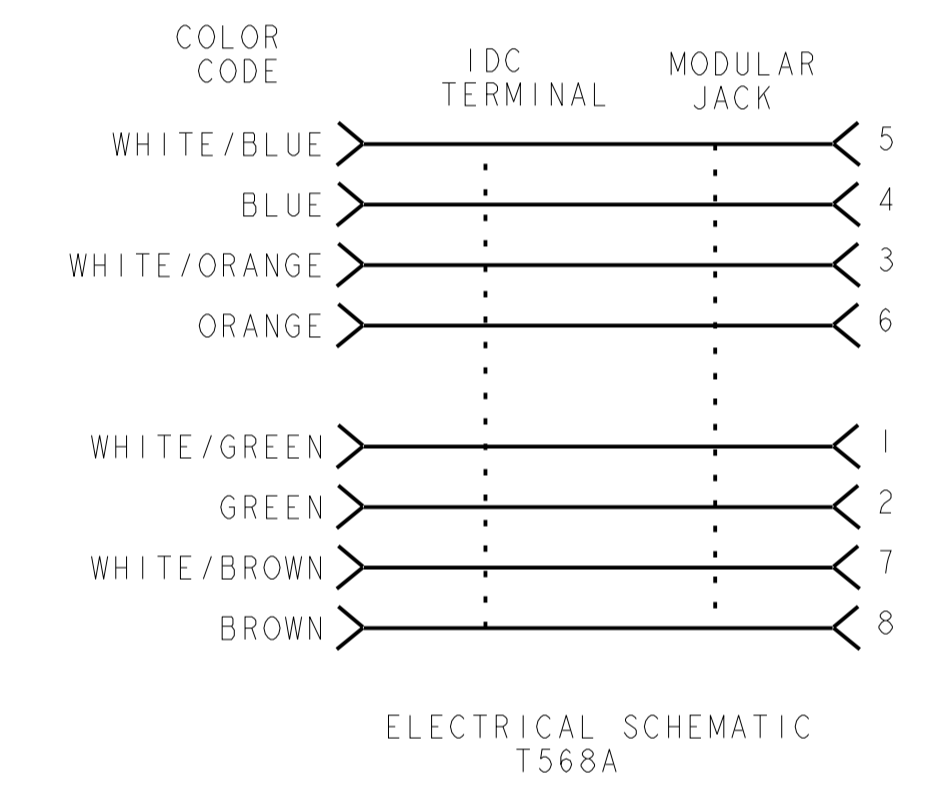
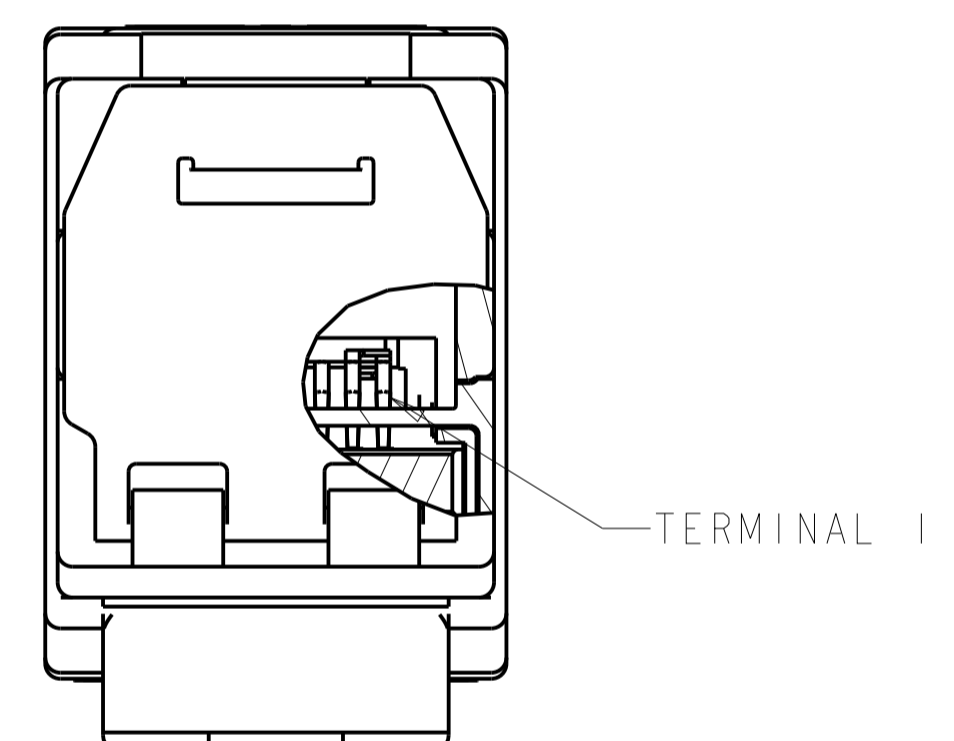


EXPLODED VIEW AS SHIPPED

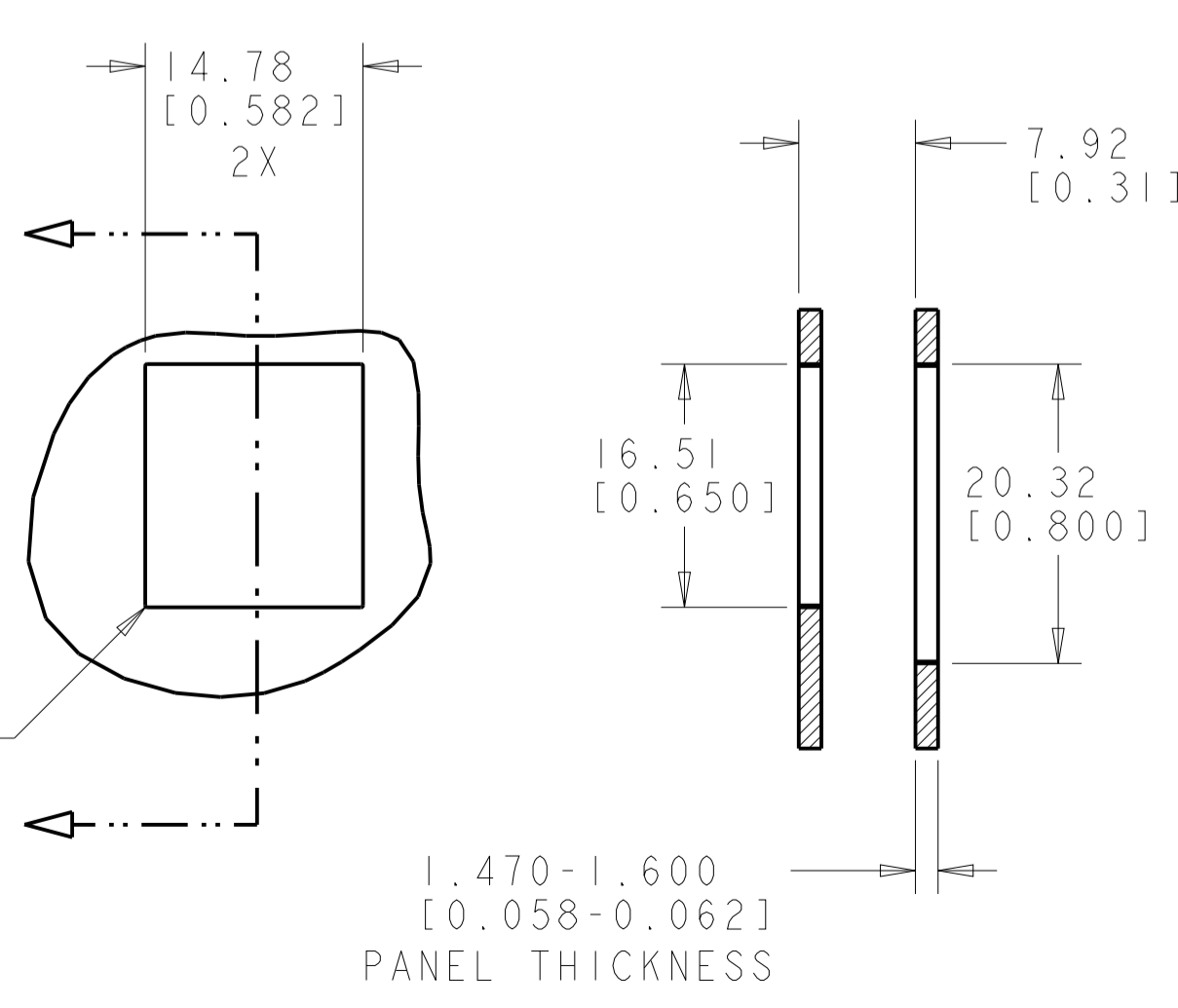
- MATERIAL:**
- FRONT HOUSING - POLYCARBONATE, 94V-0 RATED.
 - COLOR CAP AND DUST COVER- POLYCARBONATE, 94V-0 RATED.
 - TERMINAL HOUSING - POLYCARBONATE, 94V-0 RATED.
 - BACK HOUSING - POLYCARBONATE, 94V-0 RATED.
 - CABLE STRAIN RELIEF - POLYCARBONATE, 94V-0 RATED.
 - ARRAY TRAY - PBT POLYESTER.
 - CONTACT ARRAY - BERYLLIUM COPPER, PLATED WITH 1.27µm [0.00050] MINIMUM THICK GOLD IN LOCALIZED AREA AND 3.81µm [0.00150] MINIMUM THICK MATTE TIN SOLDER AREA OVER 1.27µm [0.00050] MINIMUM THICK NICKEL UNDERPLATE.
 - IDC TERMINALS - PHOSPHOROUS BRONZE, PLATED WITH 3.81µm [0.0015] MINIMUM THICK MATTE TIN OVER 1.27µm [0.0005] MINIMUM THICK NICKEL UNDERPLATE.
- JACK WILL TERMINATE 22-24 AWG SOLID OR 24 AWG STRANDED CONDUCTORS UP TO 0.65 [0.025] DIAMETER, OR 1.60 [0.063] MAXIMUM INSULATION DIAMETER. MAXIMUM OVERALL CABLE DIAMETER 9.0 [0.354].
 - CAVITY CONFORMS TO FCC RULES AND REGULATIONS PART 68 SUBPART F REQUIREMENTS.
 - MOUNTING PANEL THICKNESS 1.47 - 1.60 [0.058 - .063].
 - REFER TO 408-10470 FOR TERMINATION INSTRUCTIONS USING SL SERIES TOOL TERMINATION.
 - FRONT AND BACK HOUSING SUB-ASSEMBLY SHIPPED TOGETHER AS A SET BUT NOT ASSEMBLED. SEE EXPLODED VIEW AS SHIPPED.
 - BASE PART NUMBER AND DATE CODE LOCATED APPROXIMATELY AS SHOWN.



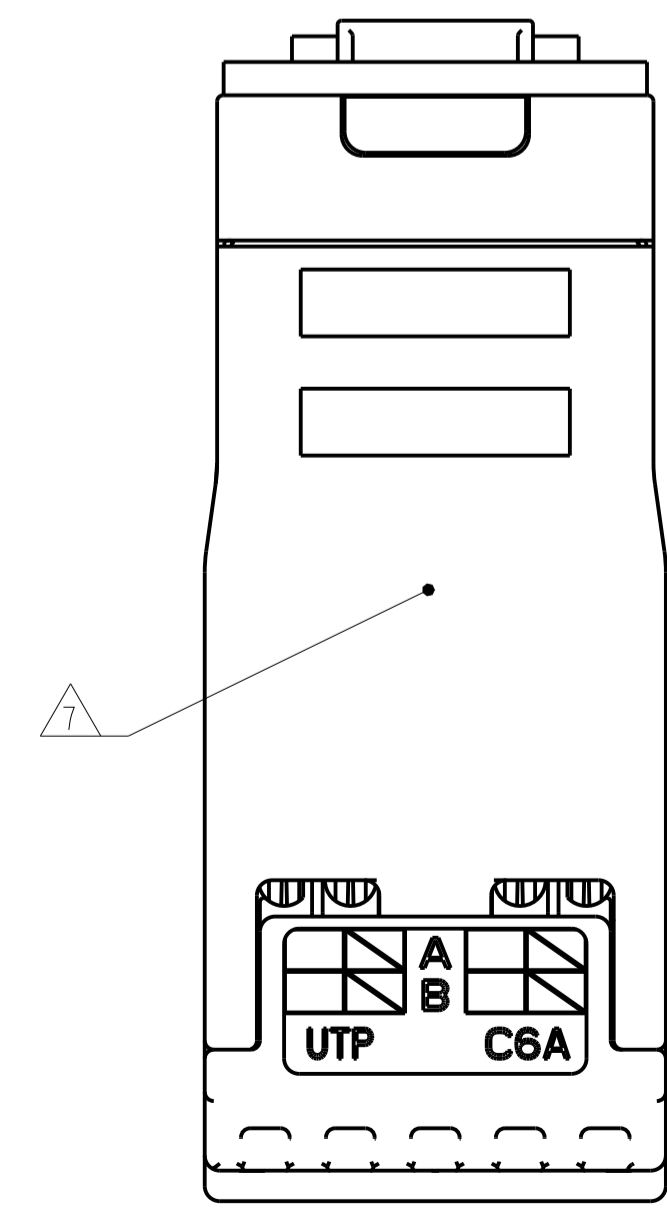
ASSEMBLED VIEW SHOWN



RECOMMENDED SINGLE PANEL APPLICATION CUTOUT



RECOMMENDED FLUSH MOUNT PANEL APPLICATION CUTOUT



DESCRIPTION	COLOR CAP	PART NUMBER
ALPINE WHITE		1-2111676-3
ELECTRIC IVORY		1-2111676-1
VIOLET		1-2111676-0
GREEN		2111676-9
YELLOW		2111676-8
RED		2111676-7
BLUE		2111676-6
ORANGE		2111676-5
GRAY		2111676-4
BLACK		2111676-2
LIGHT ALMOND		2111676-1

THIS DRAWING IS A CONTROLLED DOCUMENT.

COMMSCOPE, INC.

ASSY, UTP AMP-TWIST JACK, W/DUST COVER, CAT 6A, 180 DEGREE ENTRY

Customer Drawing

SCALE 4:1 SHEET 1 OF 1 REV B