



Chipsmall Limited consists of a professional team with an average of over 10 year of expertise in the distribution of electronic components. Based in Hongkong, we have already established firm and mutual-benefit business relationships with customers from,Europe,America and south Asia,supplying obsolete and hard-to-find components to meet their specific needs.

With the principle of “Quality Parts,Customers Priority,Honest Operation,and Considerate Service”,our business mainly focus on the distribution of electronic components. Line cards we deal with include Microchip,ALPS,ROHM,Xilinx,Pulse,ON,Everlight and Freescale. Main products comprise IC,Modules,Potentiometer,IC Socket,Relay,Connector.Our parts cover such applications as commercial,industrial, and automotives areas.

We are looking forward to setting up business relationship with you and hope to provide you with the best service and solution. Let us make a better world for our industry!



Contact us

Tel: +86-755-8981 8866 Fax: +86-755-8427 6832

Email & Skype: info@chipsmall.com Web: www.chipsmall.com

Address: A1208, Overseas Decoration Building, #122 Zhenhua RD., Futian, Shenzhen, China





2110QA, 2111QA, 2112QA, 2113QA Series Non-Relampable Neon Indicator Lights



Description and Features

Mounting: Ø.310" MIN., supplied with push-on speednut SN1287-C

Terminals: Quick-connect, tinned brass .187" x .020"

Lens: Polycarbonate

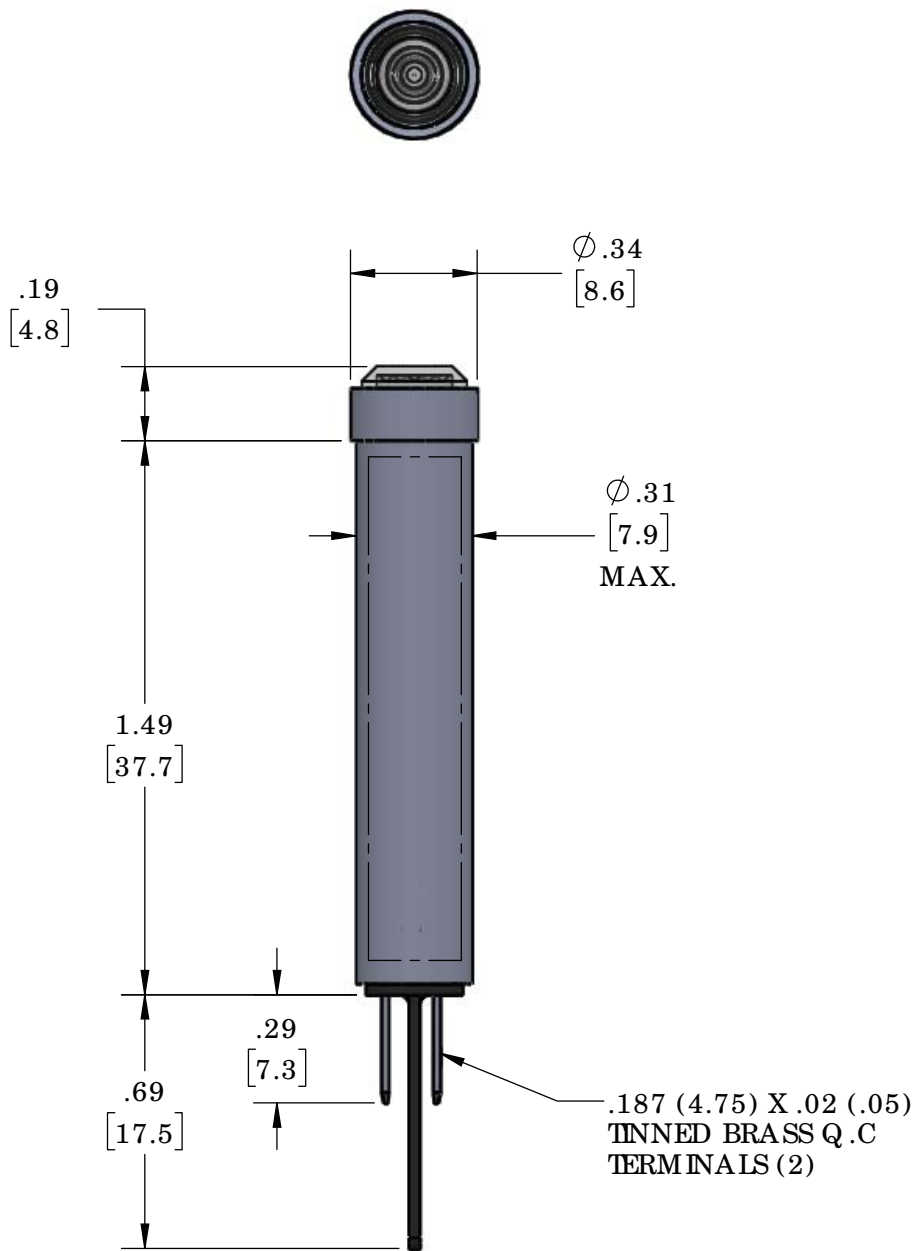
Housing: White Nylon. For black finish, add a "X" after the "A", for example: "2110QAX1".

Ordering Data

Lens Color	Neon	
	Model No. (105-125VAC)	Model No. (208-250VAC)
Red	2110QA1	2111QA1
Clear	2110QA2	2111QA2
Amber	2110QA3	2111QA3
White	2110QA4	2111QA4
Green	2112QA5*	2113QA5*
Lamp	C2A+Resistor	C2A+Resistor

* Incorporates G2B lamp and resistor.
Underwriters Laboratories (UL) File No. E20325

Product Dimensions



Dimensions in inches [mm]

Compliances and Approvals

