



Chipsmall Limited consists of a professional team with an average of over 10 year of expertise in the distribution of electronic components. Based in Hongkong, we have already established firm and mutual-benefit business relationships with customers from,Europe,America and south Asia,supplying obsolete and hard-to-find components to meet their specific needs.

With the principle of “Quality Parts,Customers Priority,Honest Operation,and Considerate Service”,our business mainly focus on the distribution of electronic components. Line cards we deal with include Microchip,ALPS,ROHM,Xilinx,Pulse,ON,Everlight and Freescale. Main products comprise IC,Modules,Potentiometer,IC Socket,Relay,Connector.Our parts cover such applications as commercial,industrial, and automotives areas.

We are looking forward to setting up business relationship with you and hope to provide you with the best service and solution. Let us make a better world for our industry!



## Contact us

Tel: +86-755-8981 8866 Fax: +86-755-8427 6832

Email & Skype: info@chipsmall.com Web: www.chipsmall.com

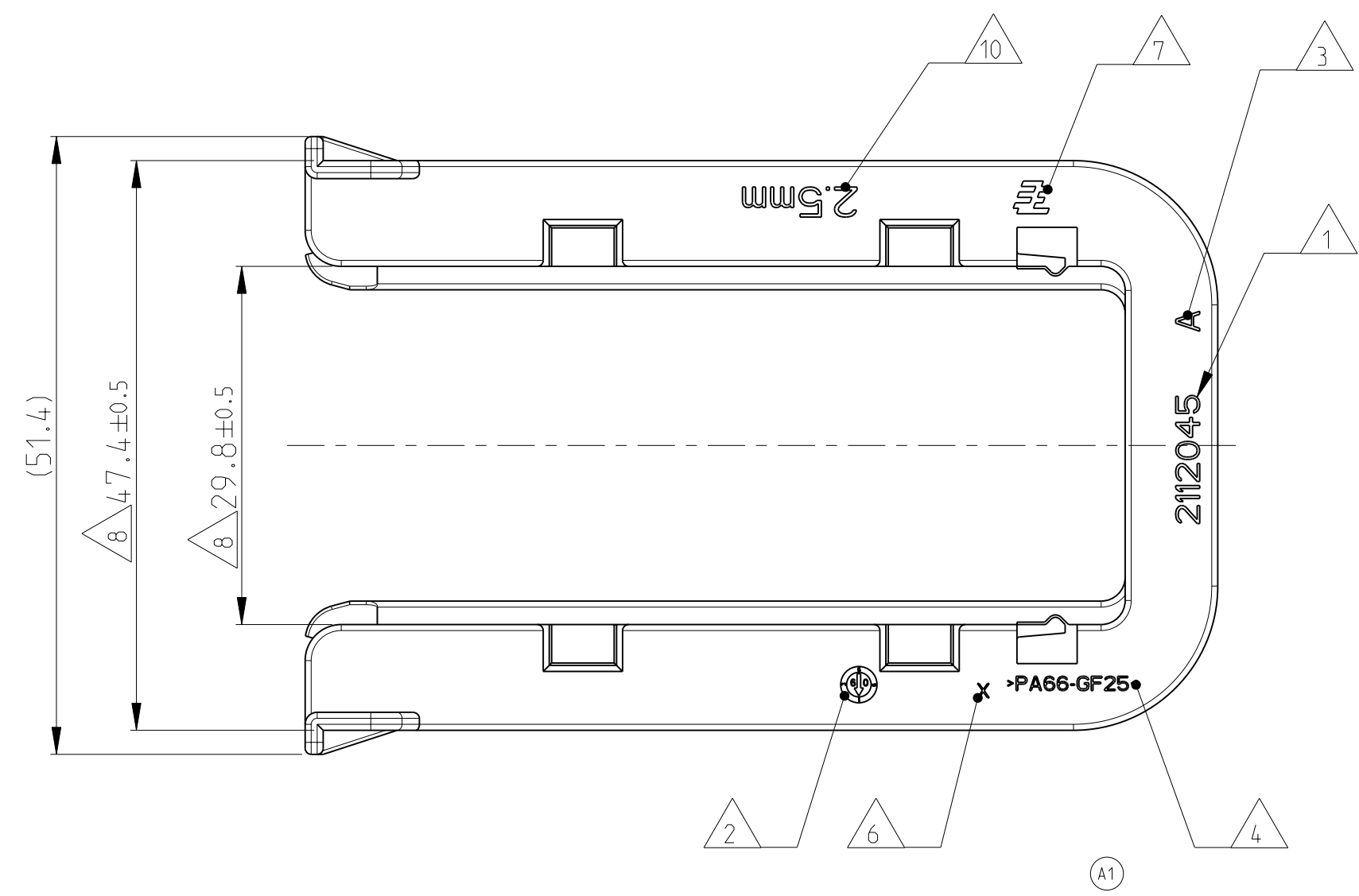
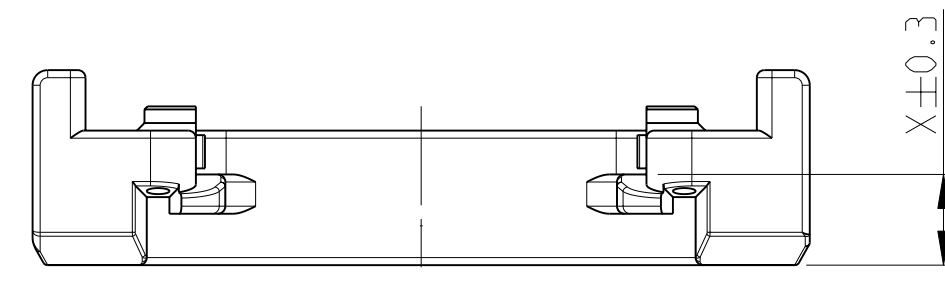
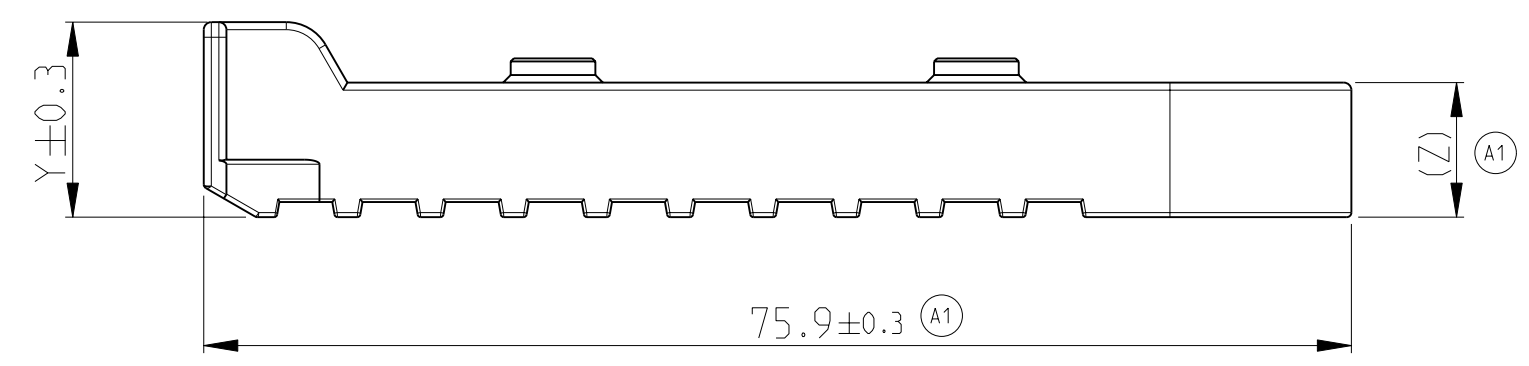
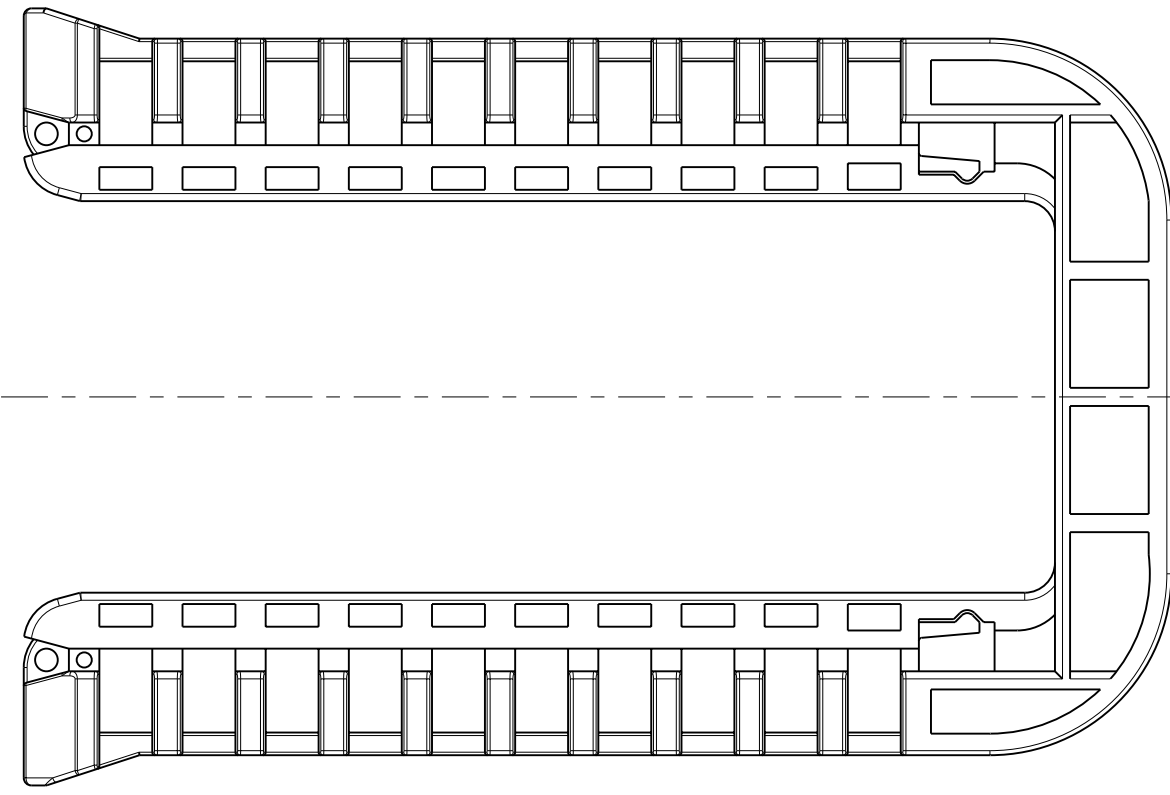
Address: A1208, Overseas Decoration Building, #122 Zhenhua RD., Futian, Shenzhen, China



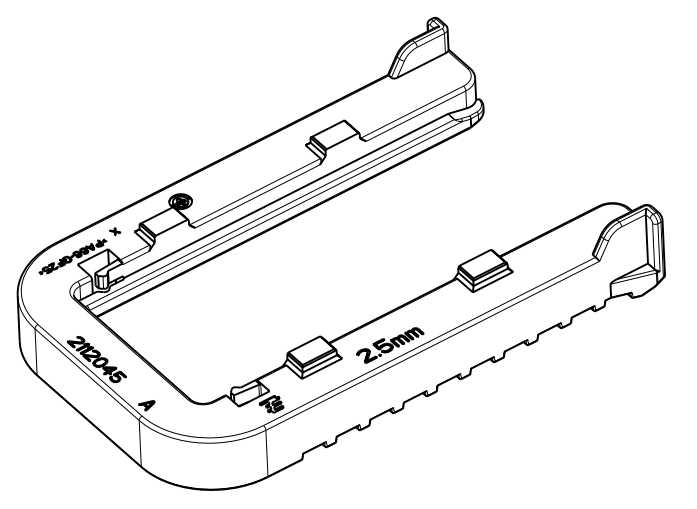
THIS DRAWING IS UNPUBLISHED  
 VERTRÄULICHE UNVERÖFFENTLICHTE ZEICHNUNG  
 RELEASED FOR PUBLICATION  
 FREI FUER VERÖFFENTLICHUNG  
 AUG 2009  
 MATED WITH:  
 PASSEND ZU:  
 SEE NOTE 9

LOC	DIST	REVISIONS					
		P	LTR	DESCRIPTION	DATE	DWN	APVD
A1	-			NEW DRAWING CREATED	07AUG2009	VD	Ch E
PROJEKT NR.: EGATN09123		A1		PART REWORKED	18SEP2009	VD	Ch E
		A2		DRAWING REWORKED	04FEB2010	NP	Ch E
		A3		NEW VERSION ADDED SEE PCN: E-10-020863	08OCT2010	NP	Ch E

1-2112045-1 AS SHOWN  
 1-2112045-1 wie gezeigt



- NOTES  
 Bemerkungen
- 1 TE ORDER-NO.  
TE Bestell-Nr.
  - 2 PRODUCTION DATE  
Produktionsdatum
  - 3 LETTER-INSERT FOR THE REVISION STATUS OF THE MOULD  
Schriftsatz fuer Aenderungszustand des Werkzeuges
  - 4 MATERIAL MARKING ACCORDING TO VDA 260  
Werkstoffkennzeichnung nach VDA 260
  - 5 BULK PACKAGING IN CORRUGATED BOX  
Schuettgut im Versandkarton
  - 6 MOULD CAVITY MARKING  
Nestmarkierung
  - 7 TE LOGO  
TE Logo
  - 8 WARPAGE PERMITTED UP TO -2mm FROM NOMINAL SIZE  
Verzug zulaessig bis -2mm vom Nennmass
  - 9 SUITABLE FOR TAB HOUSING WITH FLANGE  
SEE 2112041  
Passend zu Flachsteckergehaeusen mit Flansch  
siehe 2112041
  - 10 MARKING FOR SUITABLE SHEET METAL THICKNESS (NOMINAL SIZE)  
Kennzeichnung fuer passende Blechstaeke (Nennmass)



1:1

TE ORDER-NO. TE Bestell-Nr.	REV.	SHEET METAL THICKNESS Blechdicke	DIM X	DIM Y	DIM Z	MAT.	COLOUR Farbe	DESCRIPTION Beschreibung	ITEM
2112045-2	1	3 ± 0.1mm	5.5	12.4	8.4	PA66_GF25/V-0	YELLOW gelb	SLIDE, FOR 3mm SHEET METAL Schieber, fuer Blech 3mm Dicke	2
2112045-1	A	2.5 ± 0.1mm	6.1	13	8.9	PA66_GF25/V-0	RED rot	SLIDE, FOR 2.5mm SHEET METAL Schieber, fuer Blech 2.5mm Dicke	1

THIS DRAWING IS A CONTROLLED DOCUMENT FOR TYCO ELECTRONICS CORPORATION  
 IT IS SUBJECT TO CHANGE AND THE CONTROLLING ENGINEERING ORGANIZATION  
 SHOULD BE CONTACTED FOR THE LATEST REVISION.  
 DIESES ZEICHNUNGSDOKUMENT WIRD DURCH AMP INCORPORATED KONTROLLIERT.  
 AENDERUNGEN, DIE DEM TECHNISCHEN FORTSCHRITT DIENEN, SIND VORBEHALTEN.  
 DEN JEWEILS LETZTUEBLICHEN AENDERUNGSSTAND ERFAHREN SIE AUF ANFRAGE.

DIMENSIONS:  
 MASSEINHEITEN:  
 (MM)

TOLERANCES UNLESS  
 OTHERWISE SPECIFIED:  
 ACC. TO DIN ISO 8015  
 ACC. TO DIN 16901-140

1 PLC ±  
 2 PLC ±  
 3 PLC ±  
 ANGLE/WINKEL ±2°  
 FINISH/OBERFLAECHE/FARBE

MATERIAL  
 SEE TABLE  
 siehe Tabelle

DWN	V.Deas	07AUG2009	Tyco Electronics AMP GmbH 64625 Bensheim (Germany)	
CHK	F.Eltrop	10AUG2009	NAME SLIDE, TAB HOUSING 26POS. Schieber, Flachsteckergehaeuse 26pol.	
APVD	Ch.Eberwein	11AUG2009	SIZE	A2
PRODUCT SPEC	PRODUKTSPEZ.		CAGE CODE	00779
APPLICATION SPEC	VERARBEITUNGSSPEZ.		DRAWING NO	2112045
WEIGHT	GEWICHT	11.3g	RESTRICTED TO NUR FUER	-
CUSTOMER DRAWING	/KUNDENZEICHNUNG	SCALE MASSSTAB	2:1	SHEET BLATT
			1	OF VON
			1	REV
				A3