



Chipsmall Limited consists of a professional team with an average of over 10 year of expertise in the distribution of electronic components. Based in Hongkong, we have already established firm and mutual-benefit business relationships with customers from,Europe,America and south Asia,supplying obsolete and hard-to-find components to meet their specific needs.

With the principle of “Quality Parts,Customers Priority,Honest Operation,and Considerate Service”,our business mainly focus on the distribution of electronic components. Line cards we deal with include Microchip,ALPS,ROHM,Xilinx,Pulse,ON,Everlight and Freescale. Main products comprise IC,Modules,Potentiometer,IC Socket,Relay,Connector.Our parts cover such applications as commercial,industrial, and automotives areas.

We are looking forward to setting up business relationship with you and hope to provide you with the best service and solution. Let us make a better world for our industry!



Contact us

Tel: +86-755-8981 8866 Fax: +86-755-8427 6832

Email & Skype: info@chipsmall.com Web: www.chipsmall.com

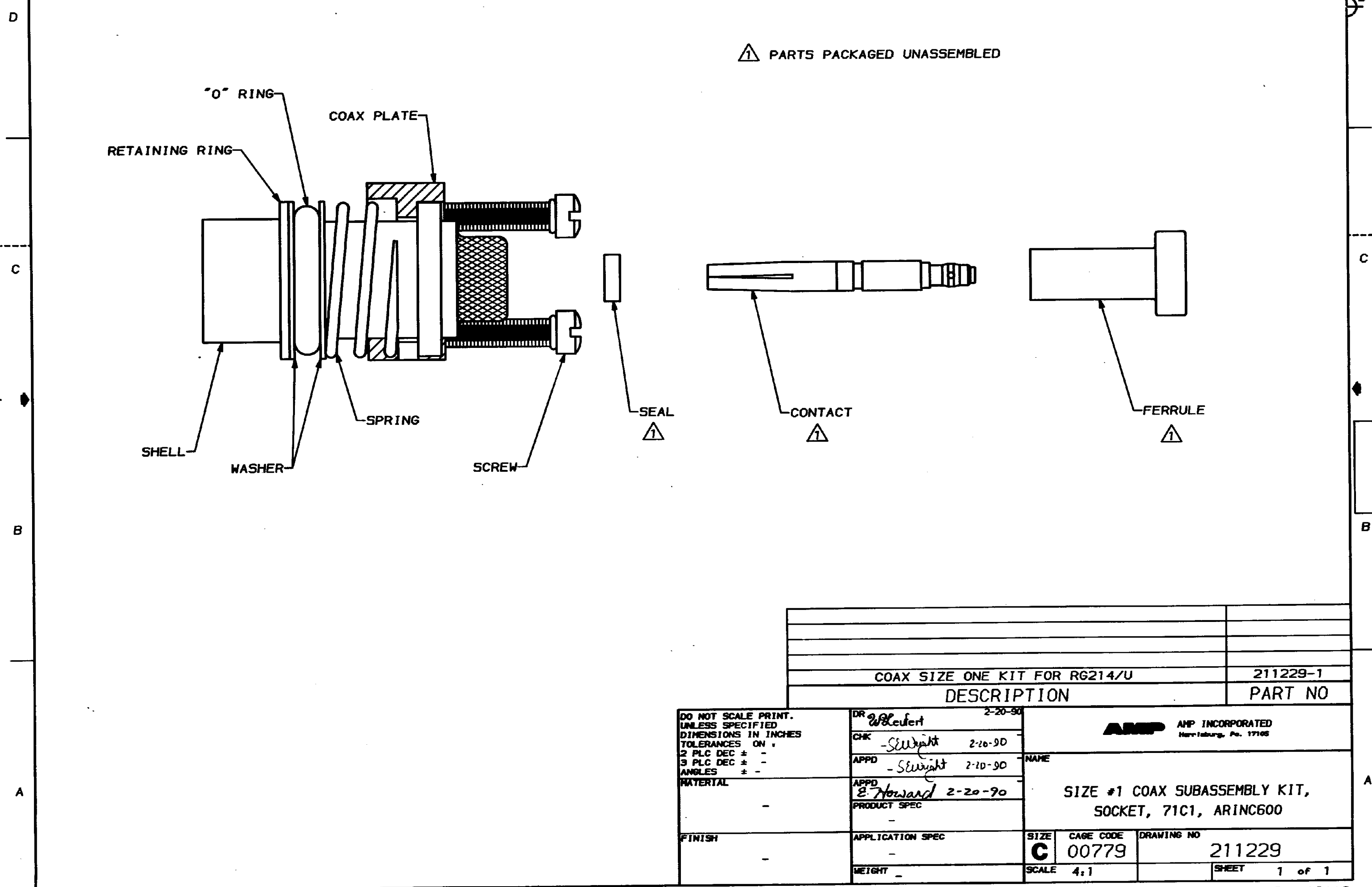
Address: A1208, Overseas Decoration Building, #122 Zhenhua RD., Futian, Shenzhen, China



DRAWING MADE IN THIRD ANGLE PROJECTION
 THIS DRAWING IS UNPUBLISHED. RELEASED FOR PUBLICATION .19
 © COPYRIGHT 19 BY AMP INCORPORATED. ALL INTERNATIONAL RIGHTS RESERVED.

PROD		LOC	DIST	REVISIONS						
4970	CODE	DF	AO	P	F	ZONE	LTR	DESCRIPTION	DATE	APPD
				✓	✓		0	RELEASED PER W/O 0-021F	2-90	apl

△ PARTS PACKAGED UNASSEMBLED



COAX SIZE ONE KIT FOR RG214/U	211229-1
DESCRIPTION	PART NO

DO NOT SCALE PRINT. UNLESS SPECIFIED DIMENSIONS IN INCHES TOLERANCES ON 2 PLC DEC ± - 3 PLC DEC ± - ANGLES ± -	DR <i>W. Leifert</i> 2-20-90	AMP INCORPORATED Harrisburg, Pa. 17105		
	CHK <i>- Sewright</i> 2-26-90			NAME
MATERIAL	APPD <i>- Sewright</i> 2-10-90	SIZE #1 COAX SUBASSEMBLY KIT, SOCKET, 71C1, ARINC600		
	APPD <i>E. Howard</i> 2-20-90			
FINISH	PRODUCT SPEC	SIZE C	CAGE CODE 00779	DRAWING NO 211229
	APPLICATION SPEC	SCALE 4:1	SHEET 1 of 1	
	WEIGHT			

CUSTOMER DRAWING