



Chipsmall Limited consists of a professional team with an average of over 10 year of expertise in the distribution of electronic components. Based in Hongkong, we have already established firm and mutual-benefit business relationships with customers from,Europe,America and south Asia,supplying obsolete and hard-to-find components to meet their specific needs.

With the principle of "Quality Parts,Customers Priority,Honest Operation,and Considerate Service",our business mainly focus on the distribution of electronic components. Line cards we deal with include Microchip,ALPS,ROHM,Xilinx,Pulse,ON,Everlight and Freescale. Main products comprise IC,Modules,Potentiometer,IC Socket,Relay,Connector.Our parts cover such applications as commercial,industrial, and automotives areas.

We are looking forward to setting up business relationship with you and hope to provide you with the best service and solution. Let us make a better world for our industry!



Contact us

Tel: +86-755-8981 8866 Fax: +86-755-8427 6832

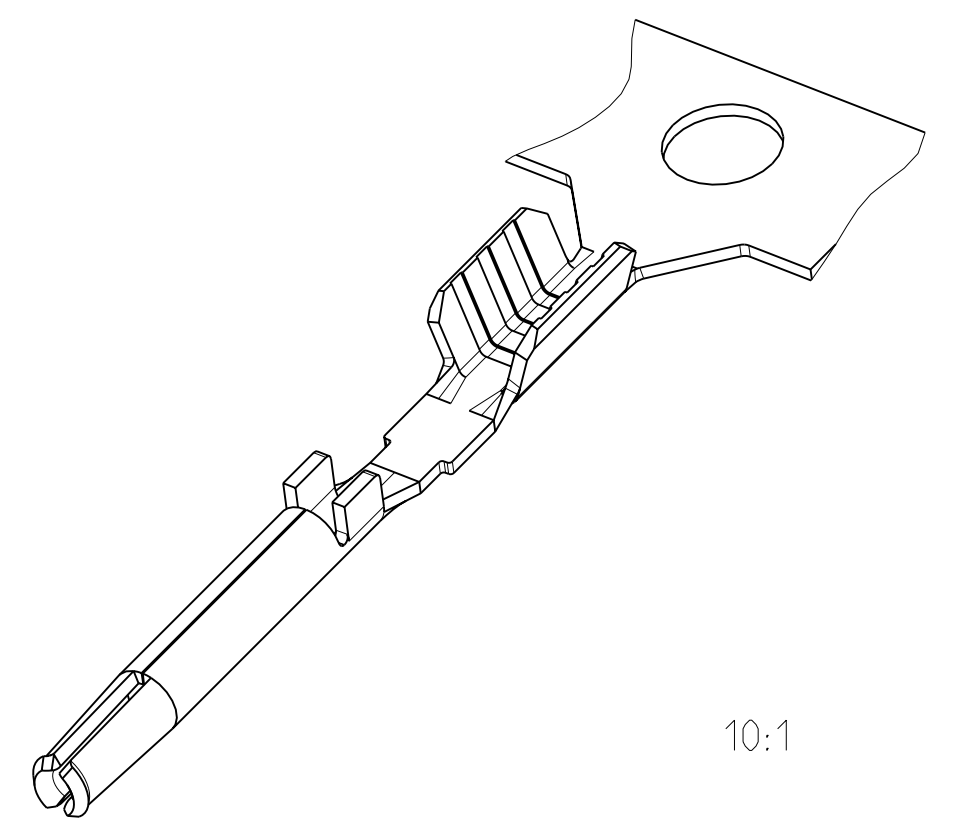
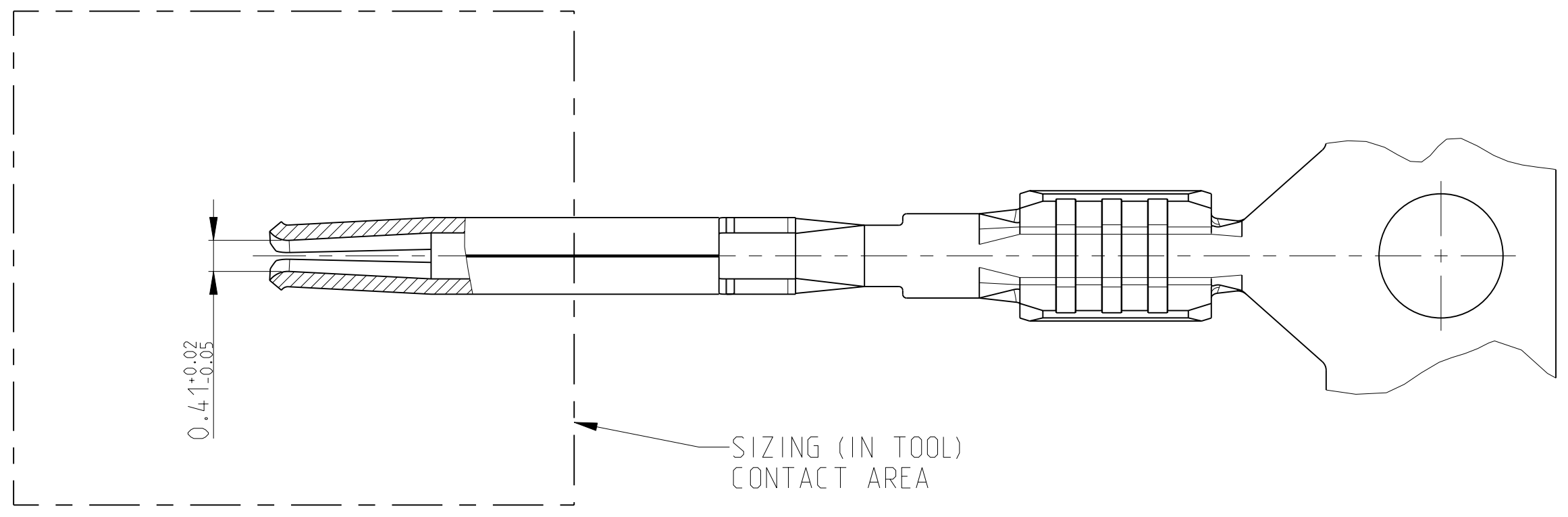
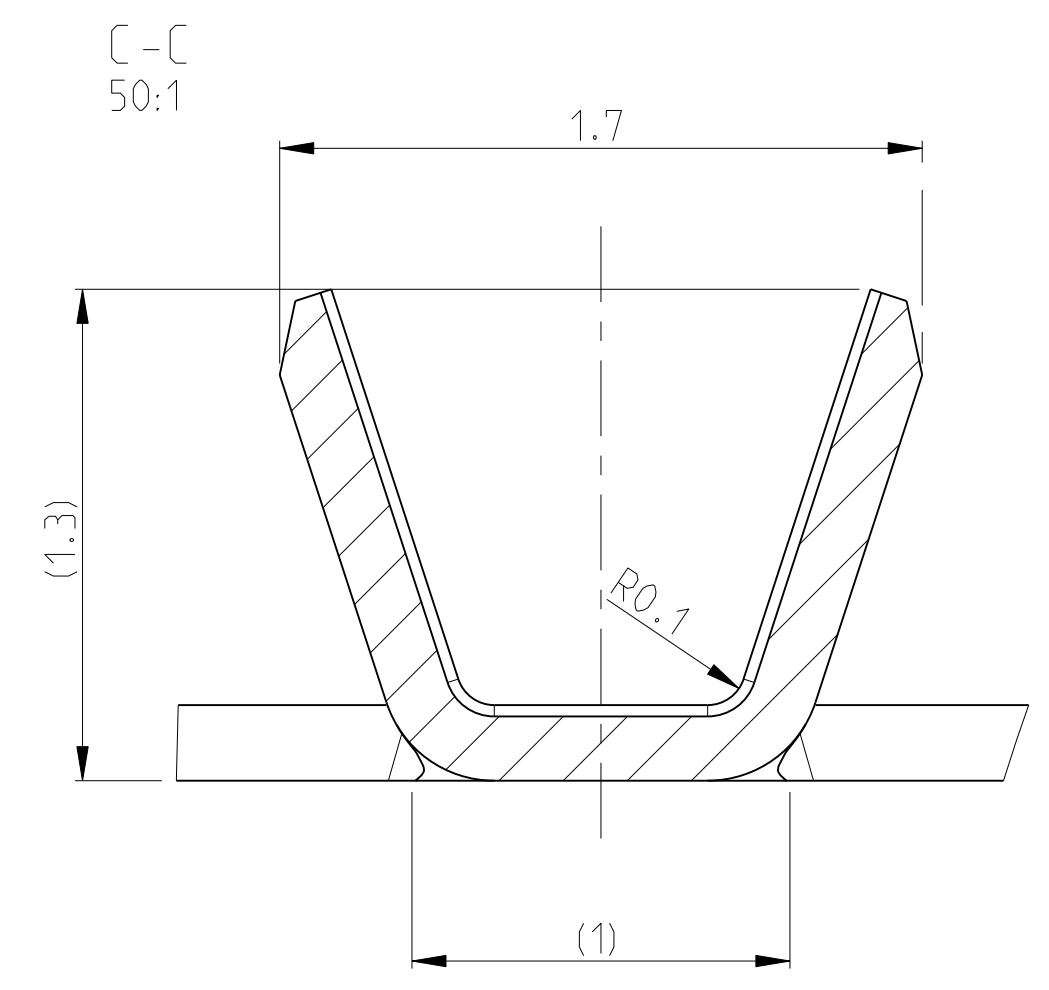
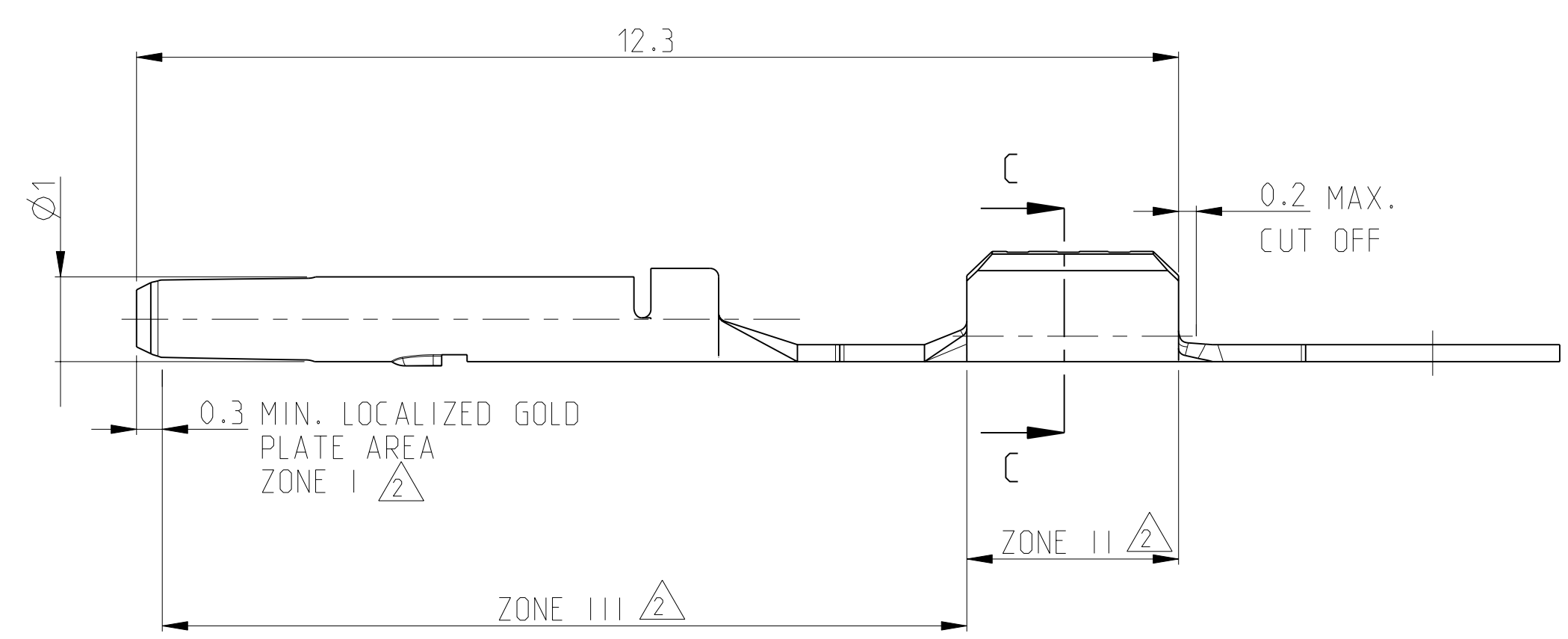
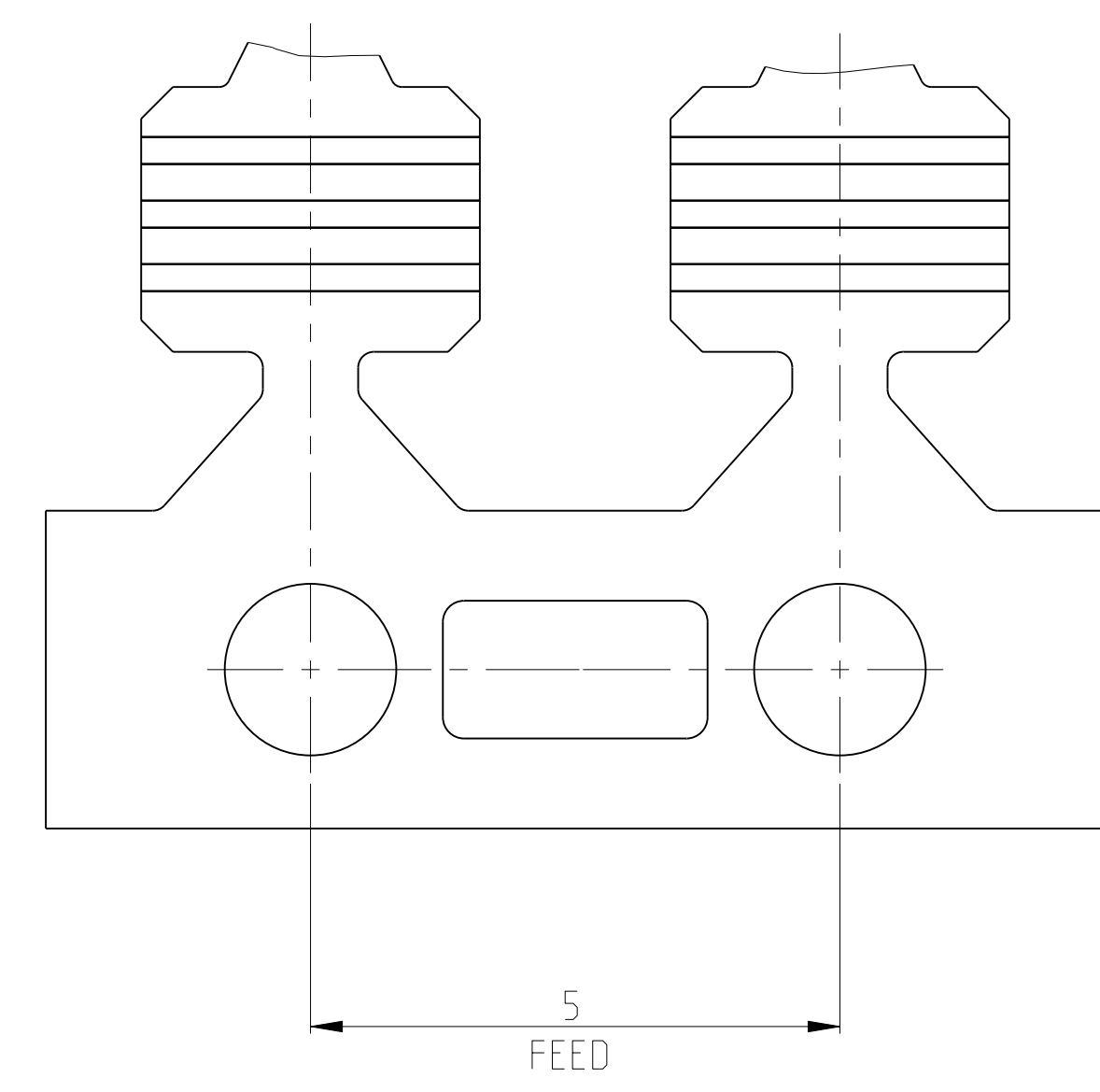
Email & Skype: info@chipsmall.com Web: www.chipsmall.com

Address: A1208, Overseas Decoration Building, #122 Zhenhua RD., Futian, Shenzhen, China

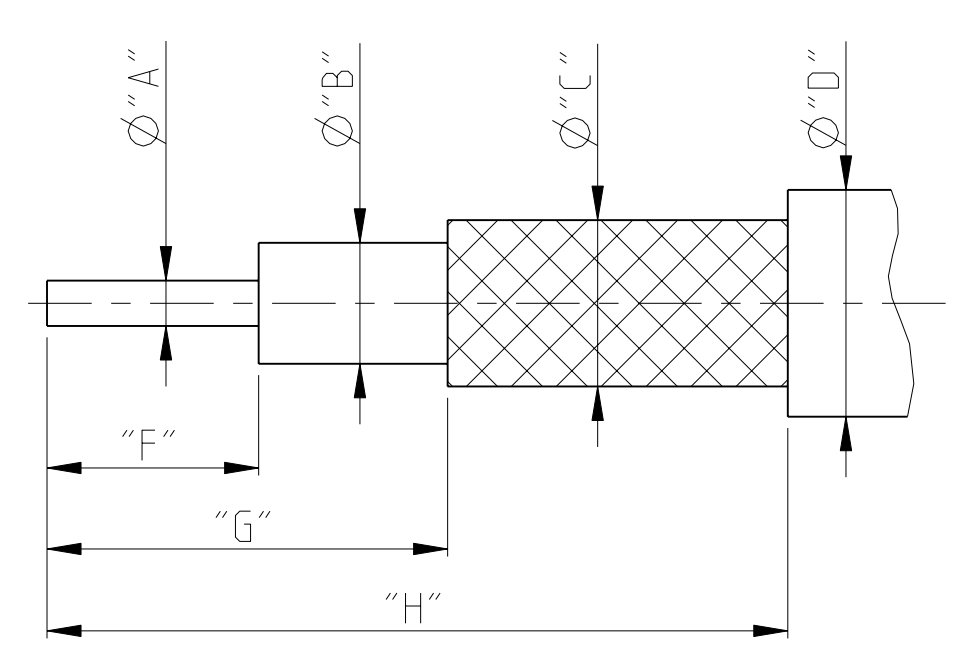


LOC	DIST	REVISIONS			
P	LTB	DESCRIPTION	DATE	DWN	APVD
A		NEW DRAWING	03JUN2011	LF	VC

NOTES
 1 CuNiSi
 2 ZONE I: 0.8 µm MIN. Au OVER 1.27 µm MIN. Ni
 ZONE II: 2-4 µm Sn OVER 0.1 µm MIN. Ni
 ZONE III: 0.1 µm MIN. Ni



RECOMMENDED STRIP DIMENSIONS



0-1530251-6	9.8 ^{+0.2} _{-0.3}	5.3 ^{+0.2} _{-0.3}	2.8 ^{+0.2} _{-0.3}	Ø3.0 nom.	Ø2.2 nom.	Ø1.6 nom.	Ø0.6 nom.	1.5DS	2112465-1
APPLICATOR TE PN	"H"	"G"	"F"	Ø "D"	Ø "C"	Ø "B"	Ø "A"	APPLICABLE CABLE	TE PART NUMBER

THIS DRAWING IS A CONTROLLED DOCUMENT.

DIMENSIONS:	TOLERANCES UNLESS OTHERWISE SPECIFIED:	DWN	01JUN2011	TE Connectivity	
mm	9 PLC ±	CHK	02JUN2011		
	1 PLC ±0.1	APVD	03JUN2011		
	2 PLC ±0.1	NAME			
	3 PLC ±	PRODUCT SPEC		CENTER CONTACT, PLUG	
	4 PLC ±	APPLICATION SPEC		HF FAKRA, 90 DEG. 1.5DS CABLE	
MATERIAL	FINISH	SIZE	CAGE CODE	DRAWING NO.	RESTRICTED TO
		A1	00779	C=2112465	
CUSTOMER DRAWING		SCALE	15:1	SHEET	1 OF 1
		REV	A		