



Chipsmall Limited consists of a professional team with an average of over 10 year of expertise in the distribution of electronic components. Based in Hongkong, we have already established firm and mutual-benefit business relationships with customers from,Europe,America and south Asia,supplying obsolete and hard-to-find components to meet their specific needs.

With the principle of “Quality Parts,Customers Priority,Honest Operation,and Considerate Service”,our business mainly focus on the distribution of electronic components. Line cards we deal with include Microchip,ALPS,ROHM,Xilinx,Pulse,ON,Everlight and Freescale. Main products comprise IC,Modules,Potentiometer,IC Socket,Relay,Connector.Our parts cover such applications as commercial,industrial, and automotives areas.

We are looking forward to setting up business relationship with you and hope to provide you with the best service and solution. Let us make a better world for our industry!



Contact us

Tel: +86-755-8981 8866 Fax: +86-755-8427 6832

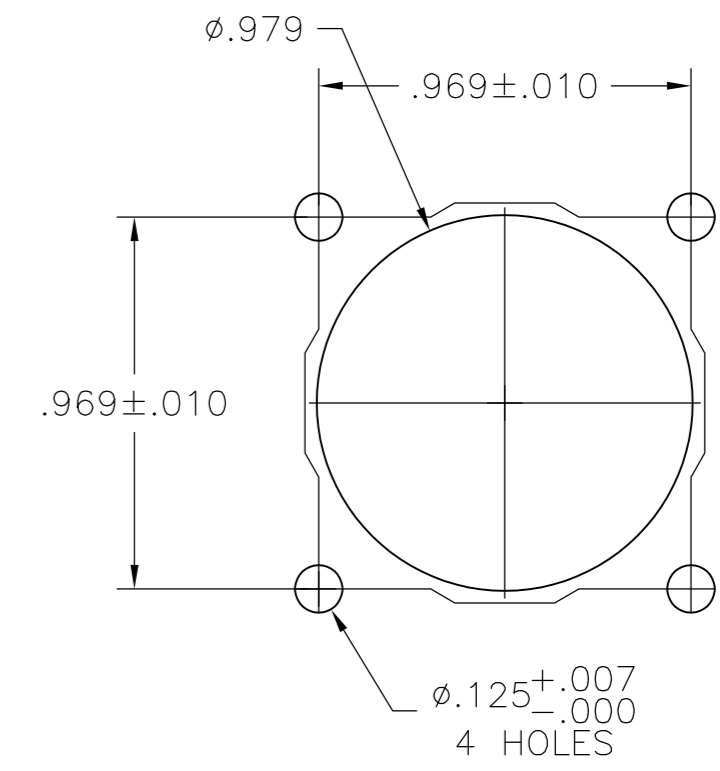
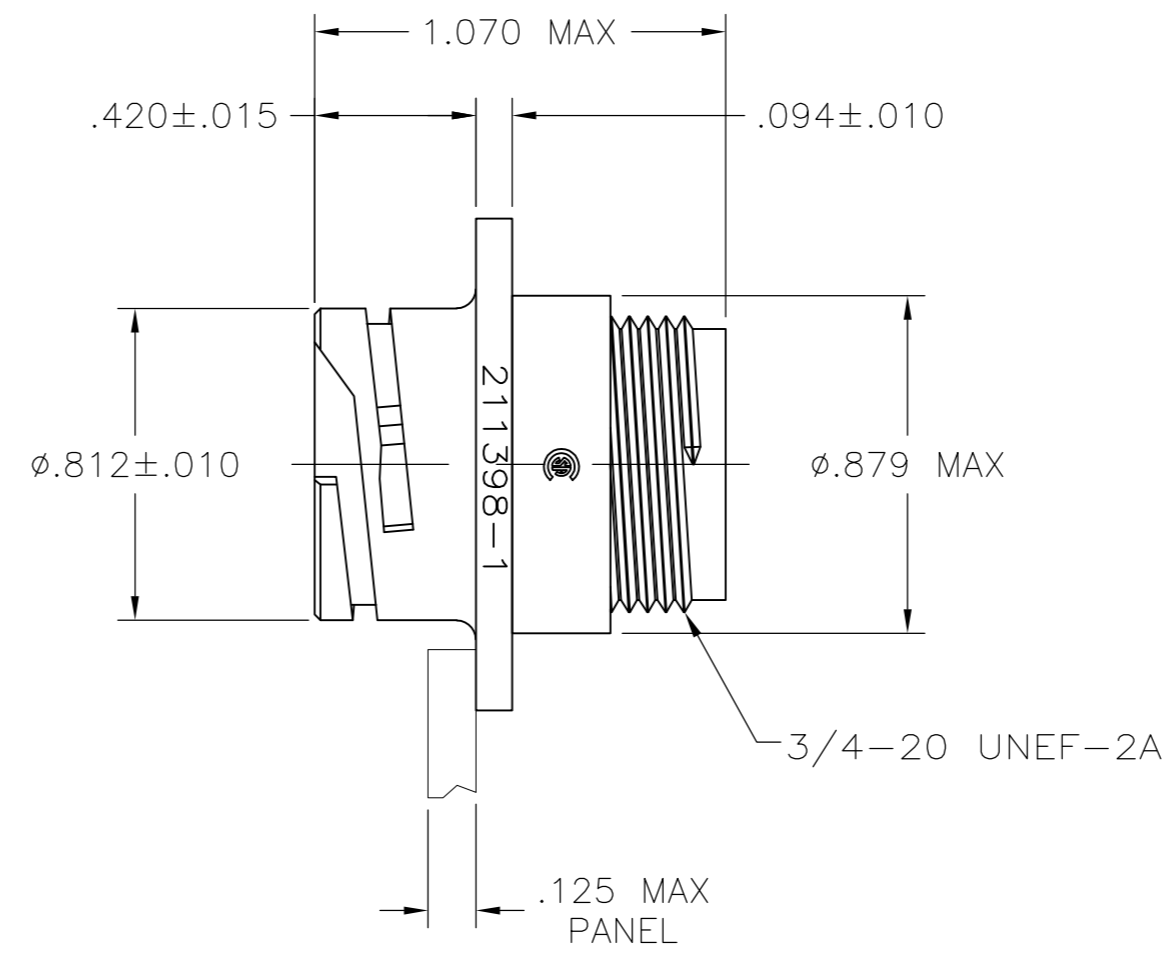
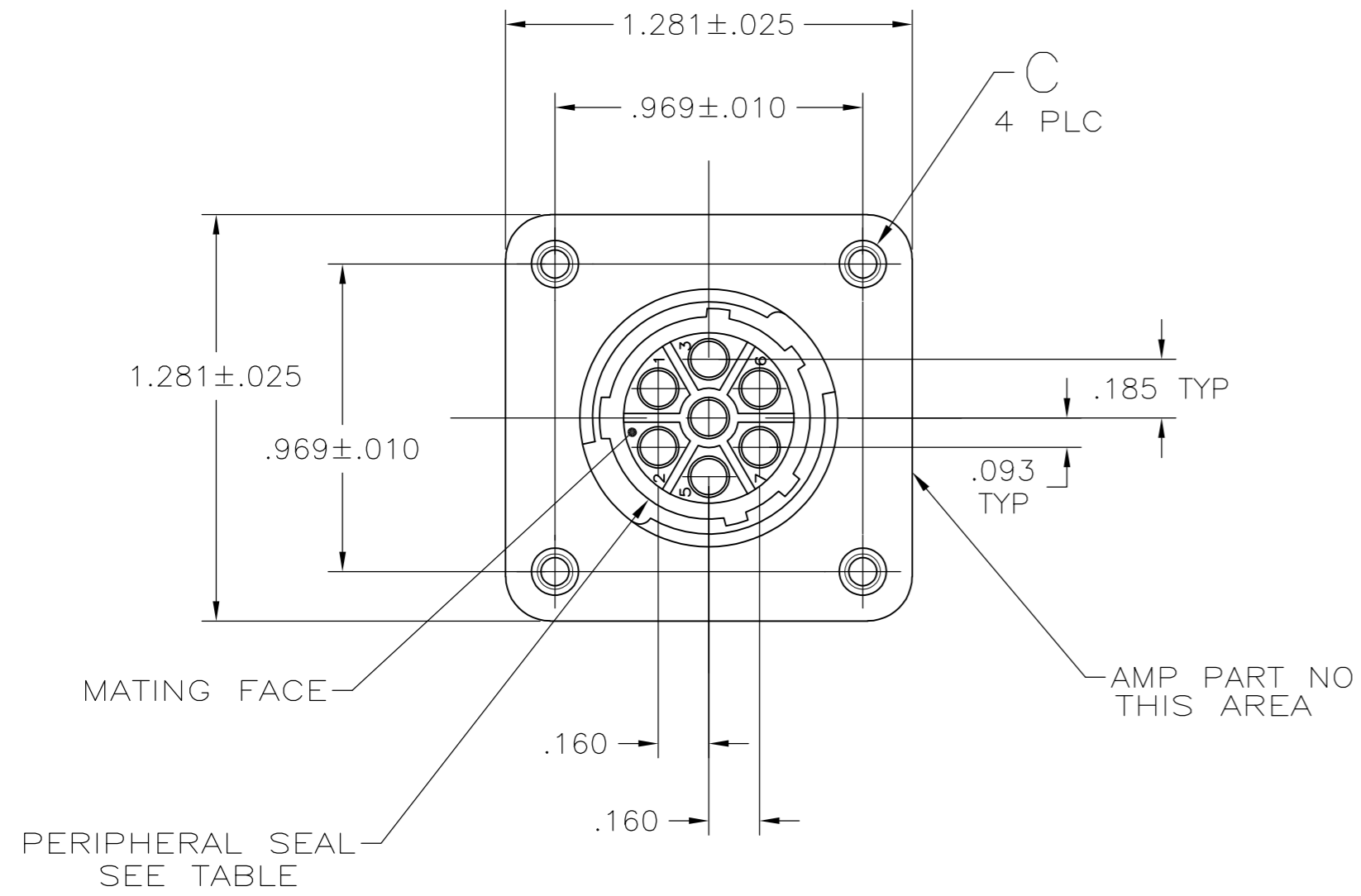
Email & Skype: info@chipsmall.com Web: www.chipsmall.com

Address: A1208, Overseas Decoration Building, #122 Zhenhua RD., Futian, Shenzhen, China



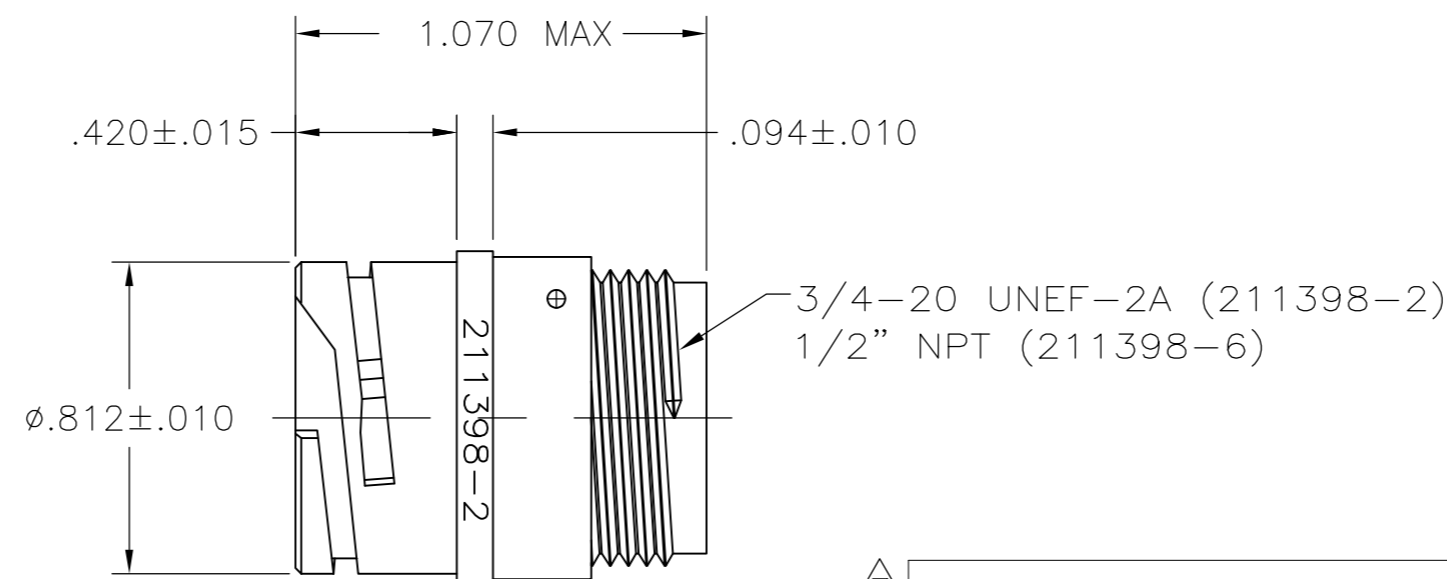
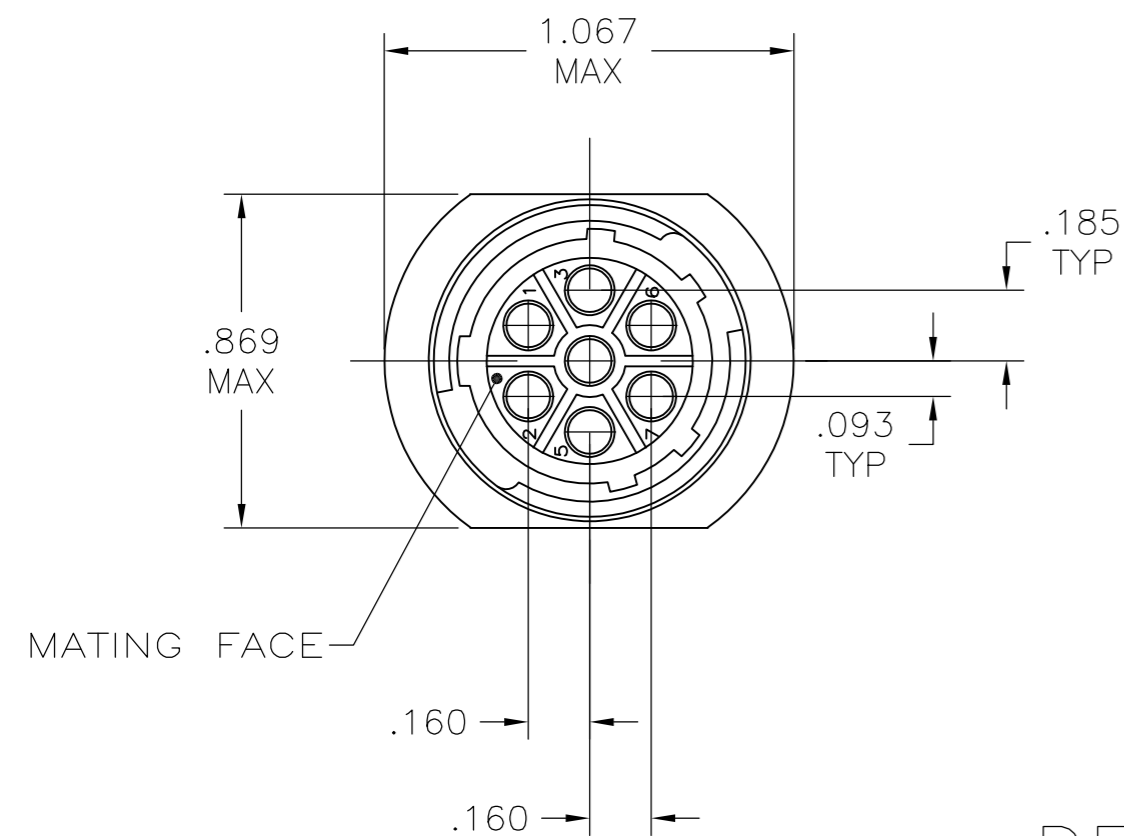
THIS DRAWING IS UNPUBLISHED. RELEASED FOR PUBLICATION
 © COPYRIGHT - By - ALL RIGHTS RESERVED.

LOC		DIST		REVISIONS			
P	LTR	DESCRIPTION	DATE	DWN	APVD		
	K2	REVISED PER ECO-13-006250	12APR2013	KH	ZM		



RECOMMENDED PANEL CUTOUT

DETAIL A



DETAIL B

3	-	NO	B	211398-6
3	4-40 THREADED INSERTS	YES	A	211398-5
	4-40 THREADED INSERTS	NO	A	211398-4
	φ.150±.003	YES	A	211398-3
	-	NO	B	211398-2
	φ.150±.003	NO	A	211398-1
	C	PERIPHERAL SEAL	SEE DETAIL	PART NUMBER

NOTES:

- CAVITY IDENTIFICATION ON FRONT AND REAR FACE.
- WILL ACCEPT SEVEN (7) MULTIMATE SOCKET CONTACTS.
- PRELIMINARY PART NUMBER.

4 COMPARATIVE TRACKING INDEX OF HOUSING MATERIAL PER UL746A=400 MIN.

THIS DRAWING IS A CONTROLLED DOCUMENT.		DWN 07-27-94 D.HARDY		
DIMENSIONS: INCHES		CHK 08-10-94 R.STONE		
TOLERANCES UNLESS OTHERWISE SPECIFIED:		APVD 10-03-94 A.FRANTUM	NAME RECEPTACLE, HOUSING, REVERSE SEX, 13-7, CPC	
		PRODUCT SPEC	SIZE CAGE CODE DRAWING NO RESTRICTED TO	
MATERIAL NYLON, BLACK		FINISH	A2 00779 C=211398	
		WEIGHT	SCALE 2:1 SHEET 1 of 1 REV K2	
		CUSTOMER DRAWING		