



Chipsmall Limited consists of a professional team with an average of over 10 year of expertise in the distribution of electronic components. Based in Hongkong, we have already established firm and mutual-benefit business relationships with customers from,Europe,America and south Asia,supplying obsolete and hard-to-find components to meet their specific needs.

With the principle of “Quality Parts,Customers Priority,Honest Operation,and Considerate Service”,our business mainly focus on the distribution of electronic components. Line cards we deal with include Microchip,ALPS,ROHM,Xilinx,Pulse,ON,Everlight and Freescale. Main products comprise IC,Modules,Potentiometer,IC Socket,Relay,Connector.Our parts cover such applications as commercial,industrial, and automotives areas.

We are looking forward to setting up business relationship with you and hope to provide you with the best service and solution. Let us make a better world for our industry!



Contact us

Tel: +86-755-8981 8866 Fax: +86-755-8427 6832

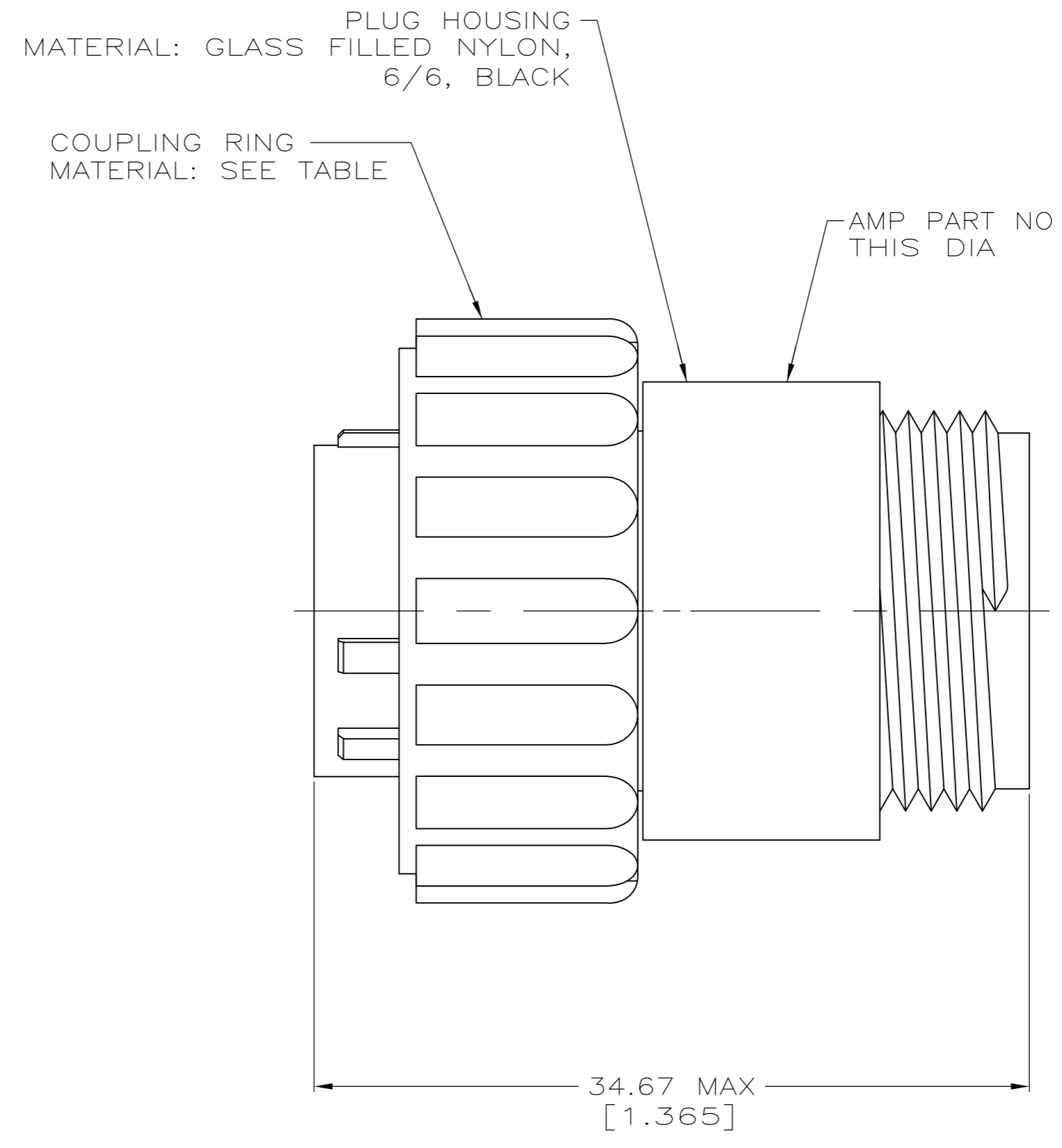
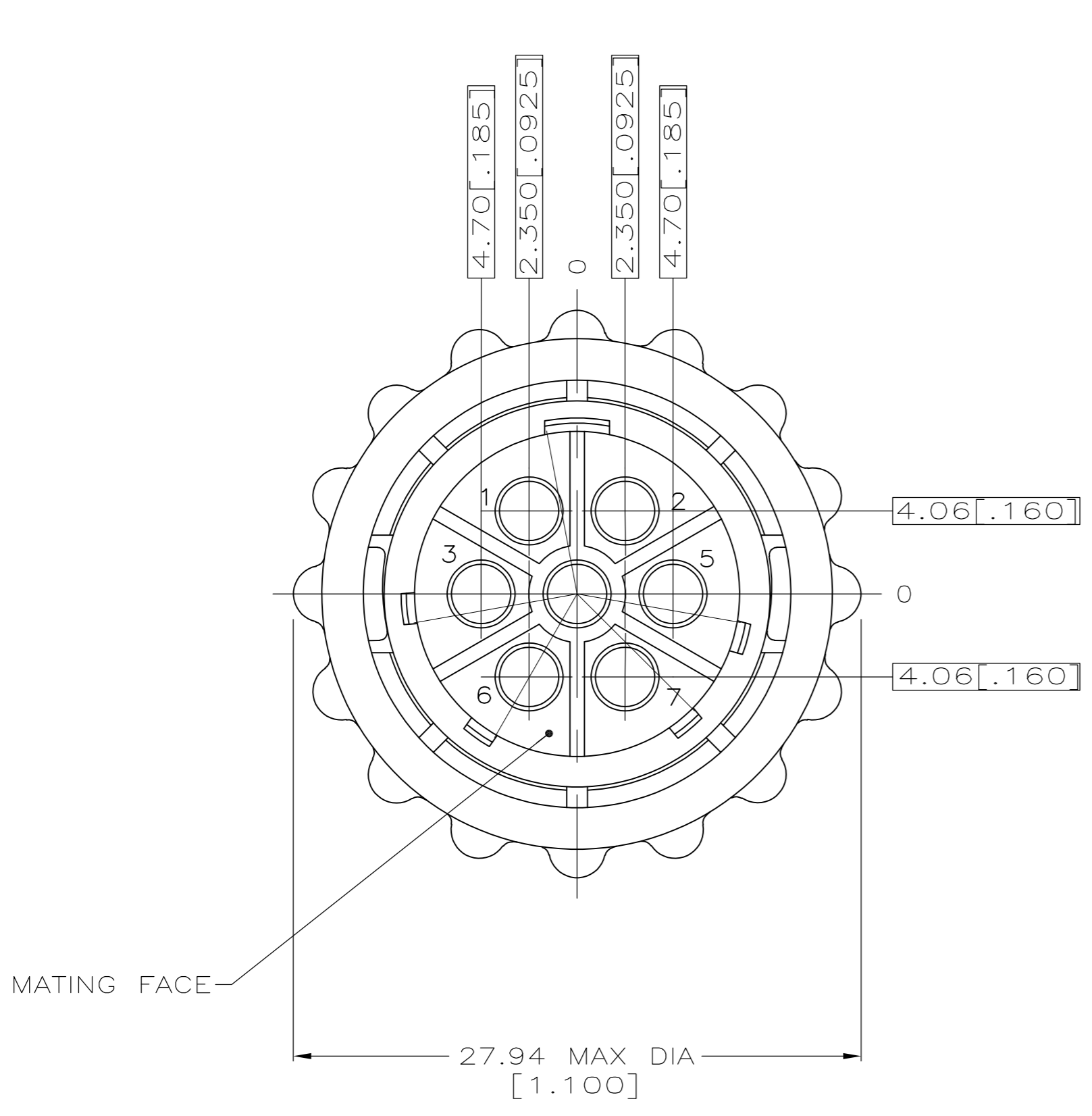
Email & Skype: info@chipsmall.com Web: www.chipsmall.com

Address: A1208, Overseas Decoration Building, #122 Zhenhua RD., Futian, Shenzhen, China



THIS DRAWING IS UNPUBLISHED. RELEASED FOR PUBLICATION
 © COPYRIGHT - By - ALL RIGHTS RESERVED.

LOC		DIST		REVISIONS			
P	LTR	DESCRIPTION	DATE	DWN	APVD		
		D4		REVISED PER ECO-13-006250	12APR2013	KH	ZM



- 1 CONTACT CAVITIES IDENTIFIED BY CHARACTERS ON FRONT AND REAR FACES OF CONNECTOR.
- 2 WILL ACCEPT SEVEN (7) MULTIMATE PIN CONTACTS.
- 3 OBSOLETE PARTS: OBSOLETE CIS STREAMLINING PER D.RENAUD/D.SINISI
- 4 COMPARATIVE TRACKING INDEX OF PLUG HOUSING MATERIAL PER UL746A = 400 MIN.

3	OBSOLETE	DIE CAST ZINC	-211400-2
		POLYESTER, BLACK	211400-1
		COUPLING RING MATERIAL	PART NUMBER

THIS DRAWING IS A CONTROLLED DOCUMENT.		DWN	07-01-94		
DIMENSIONS: INCHES		CHK	08-10-94		
TOLERANCES UNLESS OTHERWISE SPECIFIED:		APVD		NAME	
0 PLC ± -		-		VDE PLUG ASSEMBLY, REVERSE SEX, 13-7, CPC	
1 PLC ± -		PRODUCT SPEC		-	
2 PLC ± -		APPLICATION SPEC		-	
3 PLC ± -		WEIGHT		-	
4 PLC ± -		SCALE		4:1	
ANGLES ± -		SHEET		1 of 1	
FINISH		REV		D4	
MATERIAL		CUSTOMER DRAWING		-	
-		-		-	