



Chipsmall Limited consists of a professional team with an average of over 10 year of expertise in the distribution of electronic components. Based in Hongkong, we have already established firm and mutual-benefit business relationships with customers from,Europe,America and south Asia,supplying obsolete and hard-to-find components to meet their specific needs.

With the principle of “Quality Parts,Customers Priority,Honest Operation,and Considerate Service”,our business mainly focus on the distribution of electronic components. Line cards we deal with include Microchip,ALPS,ROHM,Xilinx,Pulse,ON,Everlight and Freescale. Main products comprise IC,Modules,Potentiometer,IC Socket,Relay,Connector.Our parts cover such applications as commercial,industrial, and automotives areas.

We are looking forward to setting up business relationship with you and hope to provide you with the best service and solution. Let us make a better world for our industry!



Contact us

Tel: +86-755-8981 8866 Fax: +86-755-8427 6832

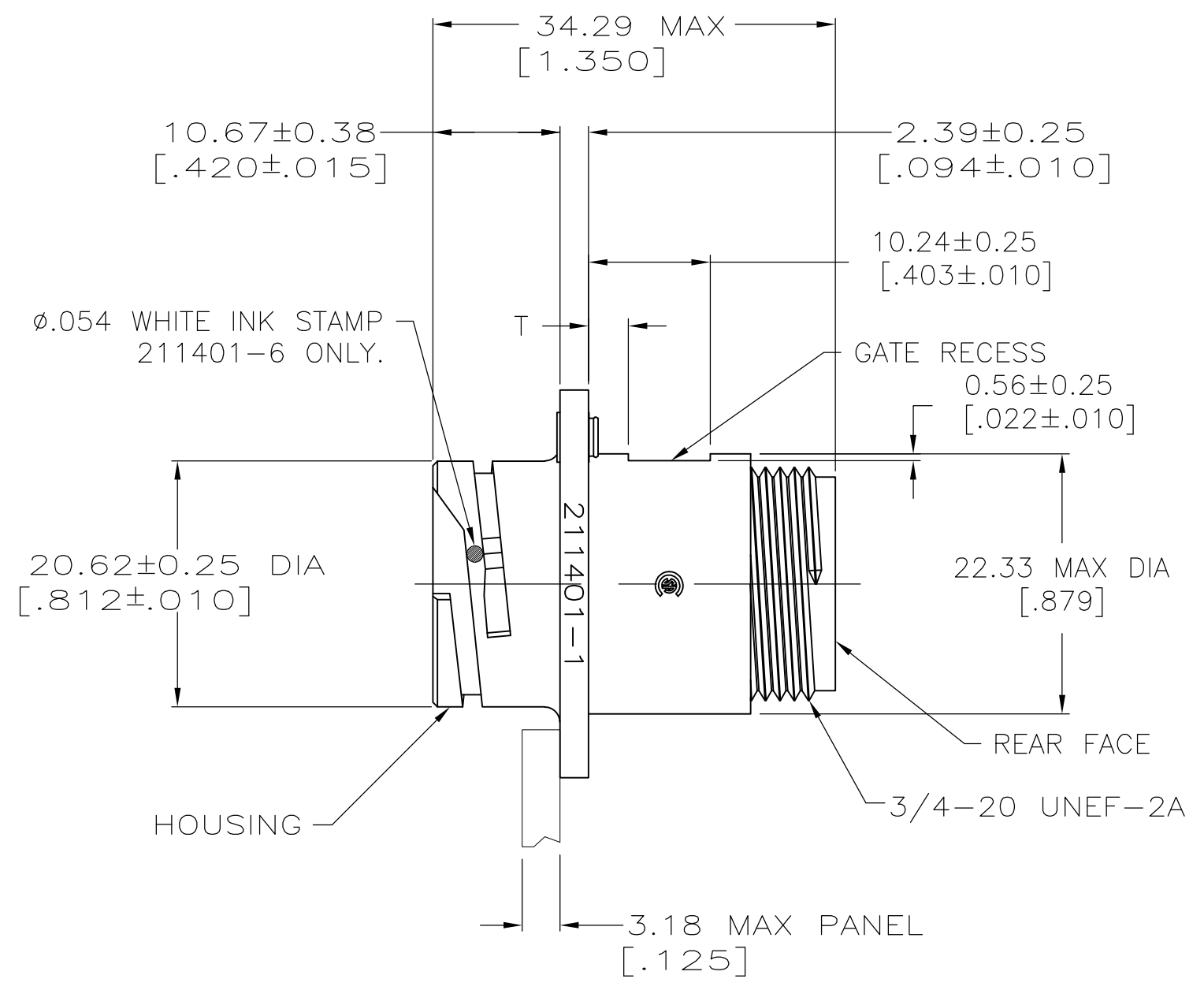
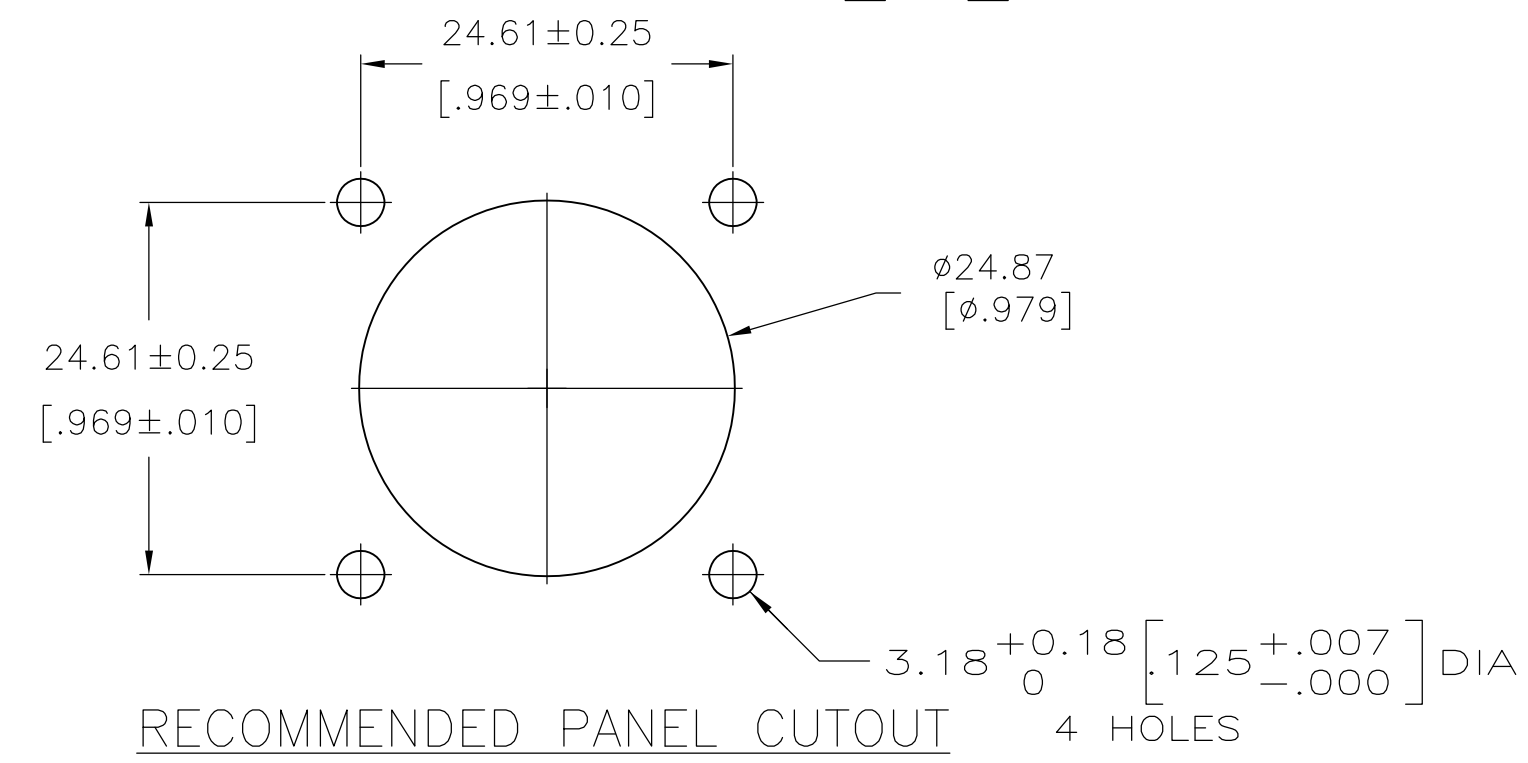
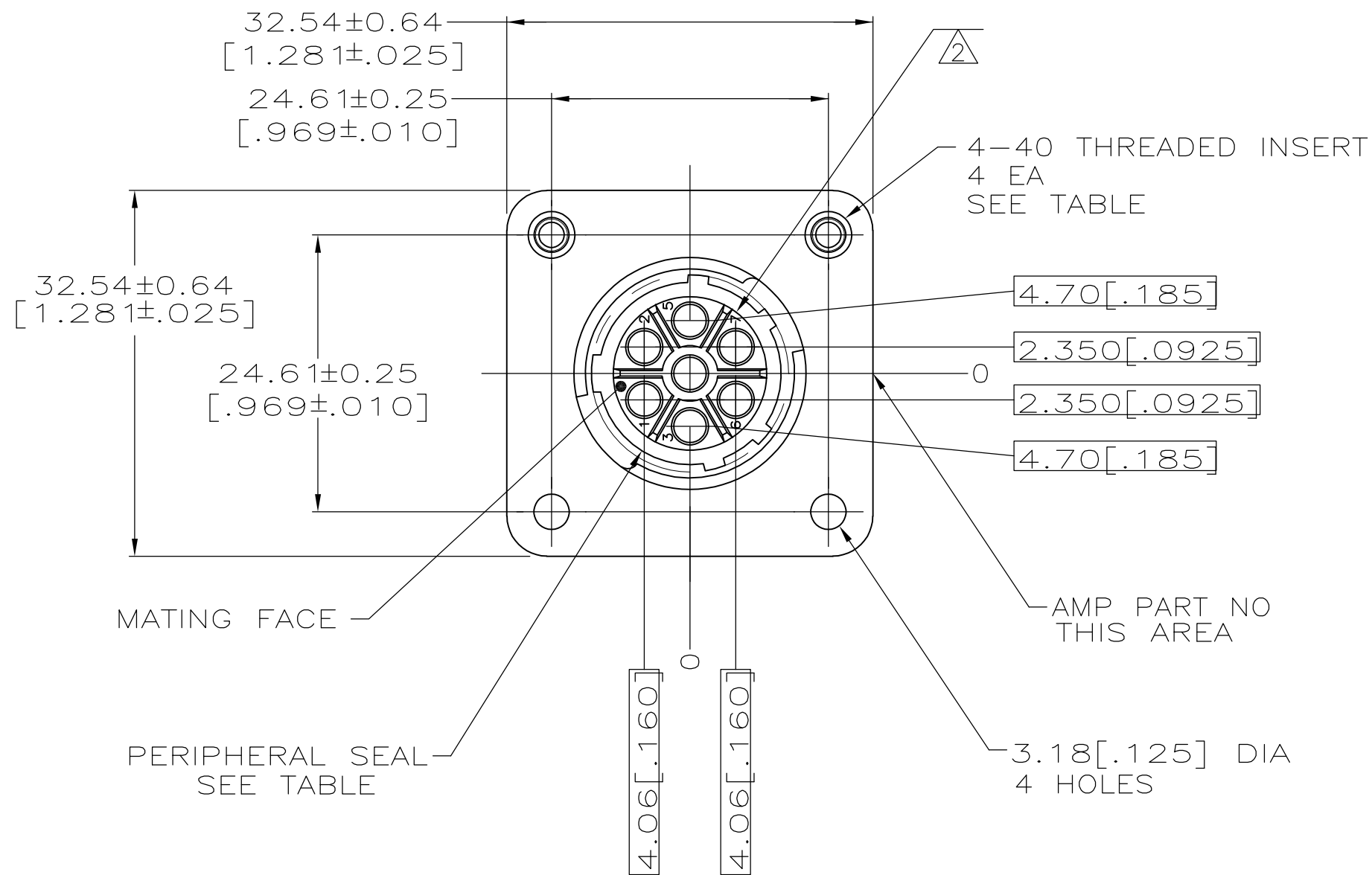
Email & Skype: info@chipsmall.com Web: www.chipsmall.com

Address: A1208, Overseas Decoration Building, #122 Zhenhua RD., Futian, Shenzhen, China



THIS DRAWING IS UNPUBLISHED. RELEASED FOR PUBLICATION
 © COPYRIGHT - By - ALL RIGHTS RESERVED.

LOC	DIST	REVISIONS			
P	LTR	DESCRIPTION	DATE	DWN	APVD
FT	0	H1 REVISED PER ECO-11-004587	11MAR11	RK	HMR



3.35±0.25 [.132±.010]	NO	NO	3.81 [.150]	211401-8
1.83±0.25 [.072±.010]	NO	NO	3.81 [.150]	211401-6
1.83±0.25 [.072±.010]	YES	NO	2.54 [.100]	211401-5
1.83±0.25 [.072±.010]	YES	NO	3.81 [.150]	211401-4
1.83±0.25 [.072±.010]	NO	YES	3.81 [.150]	211401-3
1.83±0.25 [.072±.010]	NO	NO	2.54 [.100]	211401-2
1.83±0.25 [.072±.010]	NO	NO	3.81 [.150]	211401-1
T	4-40 THREADED INSERTS	PERIPHERAL SEAL	MAX WIRE INSULATION DIA	PART NUMBER

- ① HOUSING: THERMOPLASTIC, BLACK.
 PERIPHERAL SEAL: ELASTOMER, GRAY.
 THREADED INSERTS: BRASS.
- ② CAVITY IDENTIFICATION ON FRONT AND REAR FACE.
- 3. WILL ACCEPT SEVEN (7) MULTIMATE PIN CONTACTS.
- 4. .0050MAX FLASH PERMITTED IN THE AREA OF DIMENSION T, .020 MAX FLASH PERMITTED ON MATING FACE SIDE AND .025 MAX FLASH PERMITTED ON REAR FACE SIDE.
- ⑤ PRELIMINARY PART NUMBER.

THIS DRAWING IS A CONTROLLED DOCUMENT. DWN D.HARDY 08-01-94
 CHK R.STONE 08-10-94

STE TE Connectivity

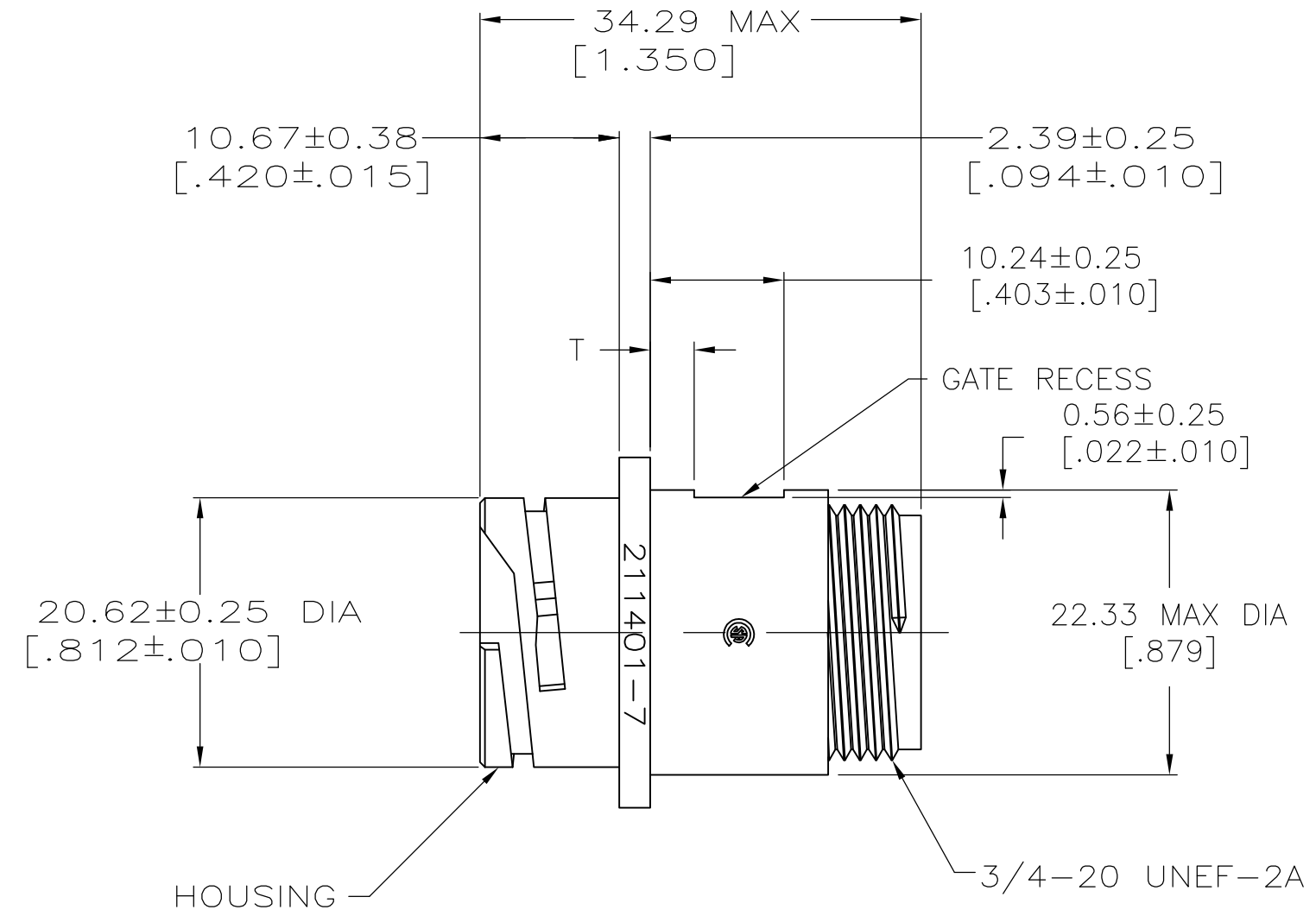
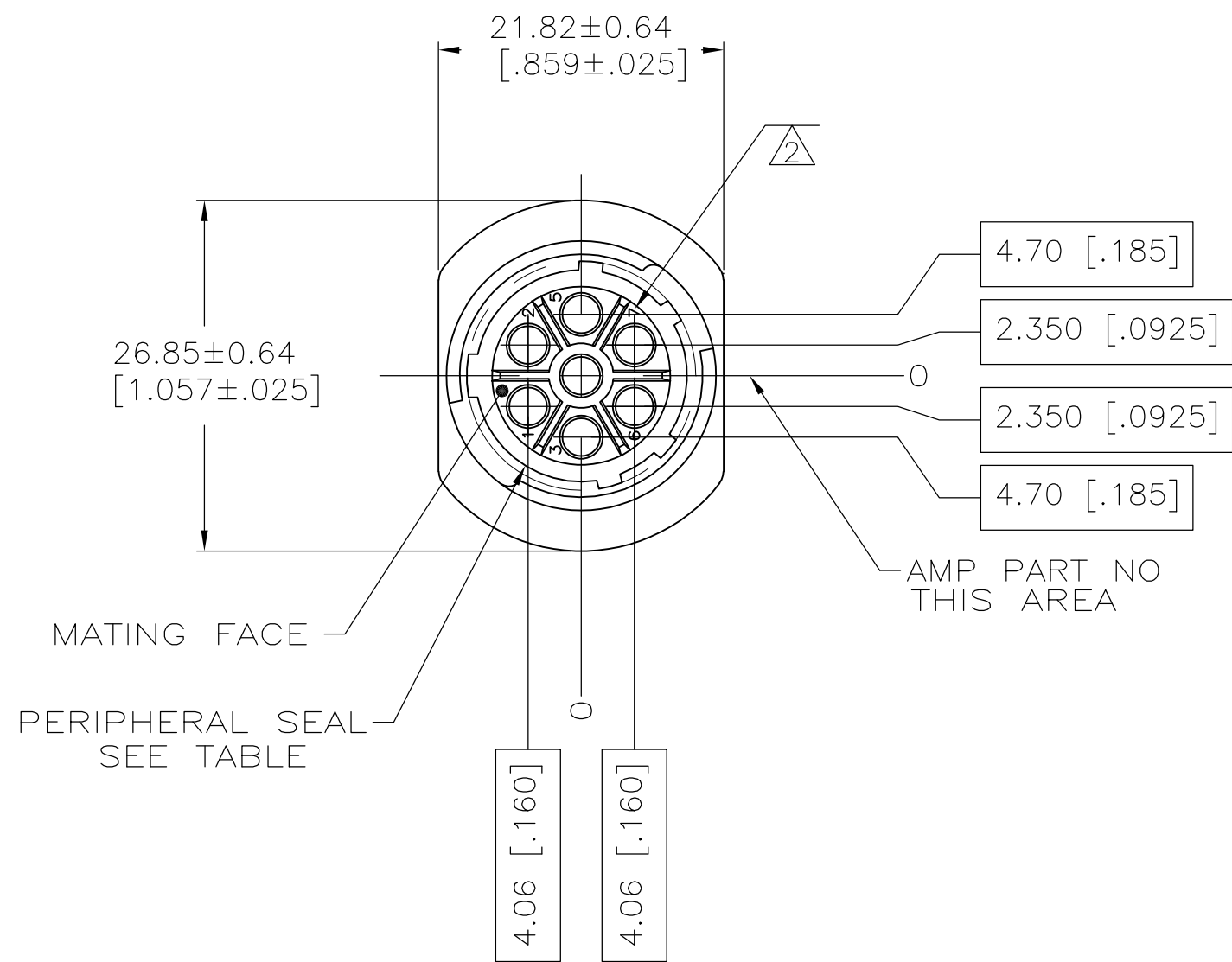
RECEPTACLE HOUSING, STANDARD SEX, 13-7, CPC

SIZE A2 CAGE CODE 00779 DRAWING NO C-211401 RESTRICTED TO -

CUSTOMER DRAWING SCALE 2:1 SHEET 1 of 2 REV H1

THIS DRAWING IS UNPUBLISHED. RELEASED FOR PUBLICATION
 © COPYRIGHT - By - ALL RIGHTS RESERVED.

LOC	DIST	REVISIONS			
P	LTR	DESCRIPTION	DATE	DWN	APVD
-	-	SEE SHEET 1	-	-	-



- ① HOUSING: THERMOPLASTIC, BLACK.
PERIPHERAL SEAL: ELASTOMER, GRAY.
THREADED INSERTS: BRASS.
- ② CAVITY IDENTIFICATION ON FRONT AND REAR FACE.
- 3. WILL ACCEPT SEVEN (7) MULTIMATE PIN CONTACTS.
- 4. .005 MAX FLASH PERMITTED IN THE AREA OF DIMENSION T, .020 MAX FLASH PERMITTED ON MATING FACE SIDE AND .025 MAX FLASH PERMITTED ON REAR FACE SIDE.

1.83±0.25 [.072±.010]	NO	2.54 [.100]	211401-7
T	PERIPHERAL SEAL	MAX WIRE INSULATION DIA	PART NUMBER

THIS DRAWING IS A CONTROLLED DOCUMENT.		DWN D.HARDY 08-01-94	STE TE Connectivity	
DIMENSIONS: mm [INCHES]		CHK R.STONE 08-10-94		
TOLERANCES UNLESS OTHERWISE SPECIFIED:		APVD -	NAME RECEPTACLE HOUSING, STANDARD SEX, 13-7, CPC	
0 PLC ± -		PRODUCT SPEC -	SIZE CAGE CODE DRAWING NO RESTRICTED TO	
1 PLC ± -		APPLICATION SPEC -	A2 00779 C=211401 -	
2 PLC ± 0.13 [.005]		WEIGHT -	SCALE 2:1 SHEET 2 OF 2 REV H1	
3 PLC ± -		CUSTOMER DRAWING		
4 PLC ± -				
ANGLES ± -				
FINISH -				