



Chipsmall Limited consists of a professional team with an average of over 10 year of expertise in the distribution of electronic components. Based in Hongkong, we have already established firm and mutual-benefit business relationships with customers from,Europe,America and south Asia,supplying obsolete and hard-to-find components to meet their specific needs.

With the principle of "Quality Parts,Customers Priority,Honest Operation,and Considerate Service",our business mainly focus on the distribution of electronic components. Line cards we deal with include Microchip,ALPS,ROHM,Xilinx,Pulse,ON,Everlight and Freescale. Main products comprise IC,Modules,Potentiometer,IC Socket,Relay,Connector.Our parts cover such applications as commercial,industrial, and automotives areas.

We are looking forward to setting up business relationship with you and hope to provide you with the best service and solution. Let us make a better world for our industry!



Contact us

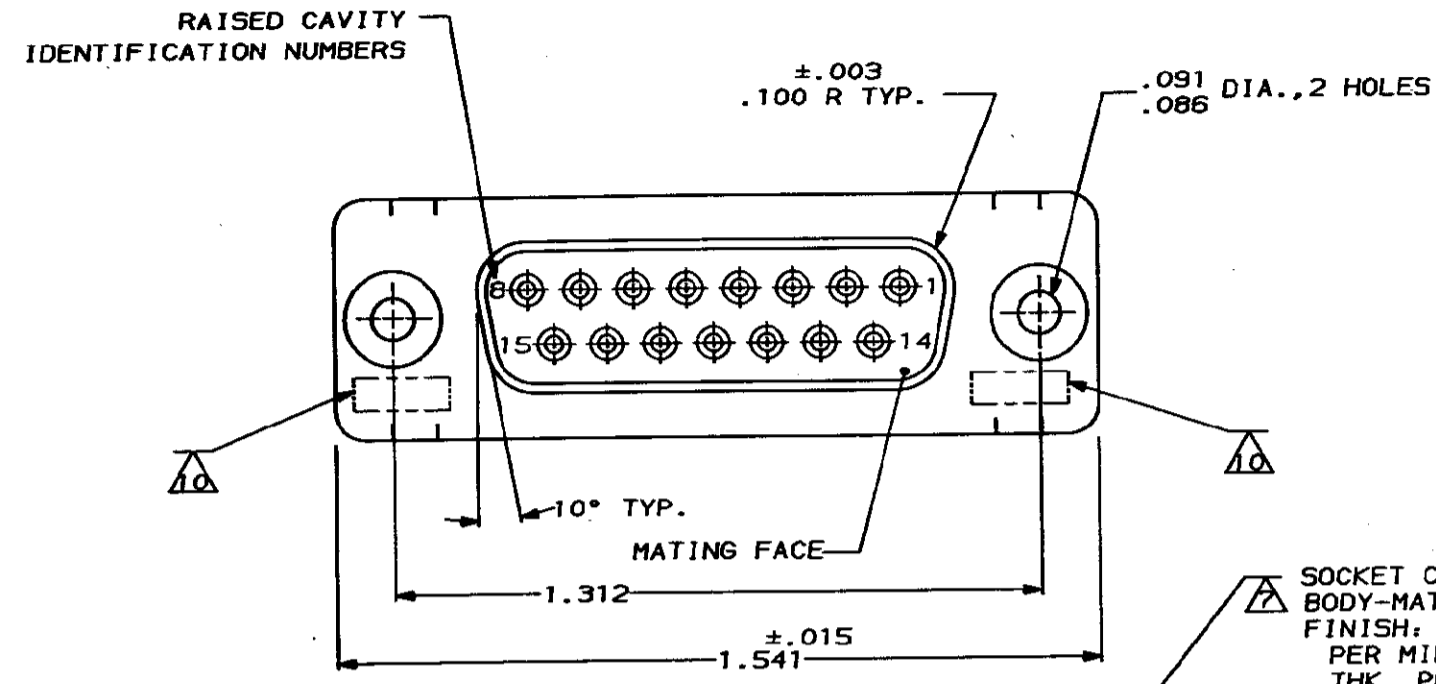
Tel: +86-755-8981 8866 Fax: +86-755-8427 6832

Email & Skype: info@chipsmall.com Web: www.chipsmall.com

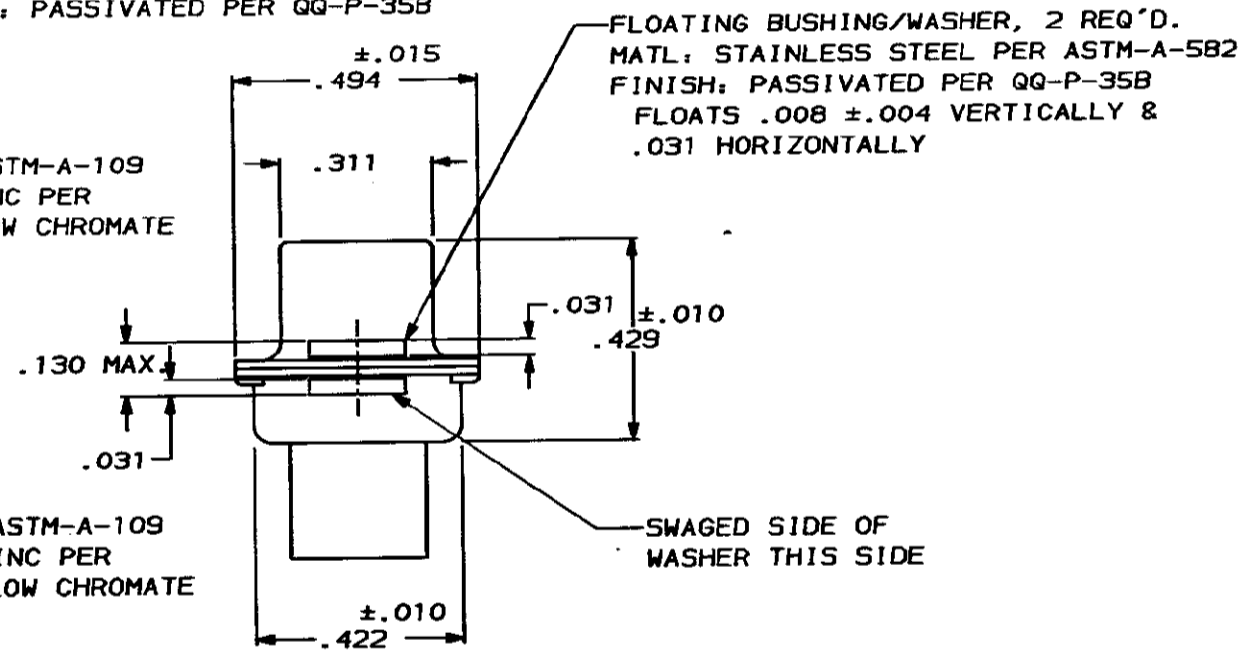
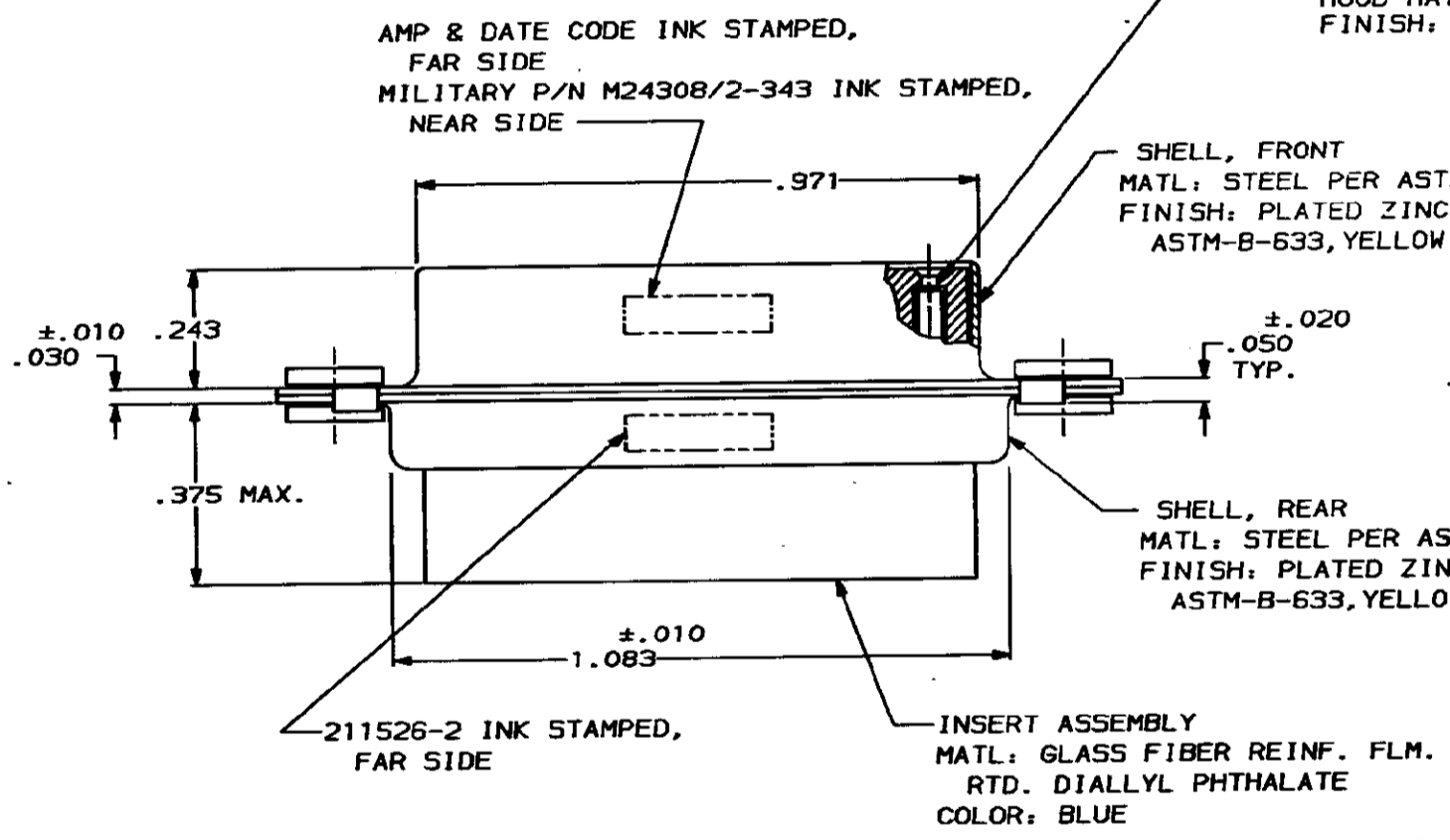
Address: A1208, Overseas Decoration Building, #122 Zhenhua RD., Futian, Shenzhen, China



PRG	LAC	DTST	ZONE	LTR	DESCRIPTION	DATE	APPD
5066	DF	DO			0 RELEASED	7/1/85	DE
					A REV-ECN DF-1034	MC	2-10-88



SOCKET CONTACT, SIZE 20, 15 REQD.
 BODY-MATL: BERYLLIUM COPPER PER QQ-C-530
 FINISH: PLATED GOLD .000050 MIN. THK.
 PER MIL-G-45204 OVER COPPER .000100 MIN.
 THK. PER MIL-C-14550
 HOOD-MAT'L: STAINLESS STEEL PER QQ-S-766
 FINISH: PASSIVATED PER QQ-P-35B



1. THIS RECEPTACLE WILL MATE WITH ANY 15 POSN., SIZE 2 PLUG IN AMPLIMITE SERIES.
2. MAXIMUM WIRE INSULATION TO BE USED WITH THIS RECEPTACLE IS .068 DIA.
3. SST RETENTION CLIPS ARE INCLUDED IN INSERTS.

- ⚠ PACKAGE STAMPED M24308/2-483 & AMP P/N 211526-1
- ⚠ PACKAGE STAMPED M24308/2-343 & AMP P/N 211526-2
- ⚠ PACKAGE STAMPED M24308/2-354 & AMP P/N 211526-3
- ⚠ AMP P/N 205090-1; MIL P/N 63-368, INCLUDED IN KIT.
- ⚠ AMP P/N 91067-2; MIL P/N M81969/1-02.
- ⚠ CONNECTOR SUPPLIED WITHOUT CONTACTS, SHOWN FOR ILLUSTRATION ONLY.
- ⚠ UL/CSA DESIGNATION STAMPED IN THIS AREA.

SAME AS -1 EXCEPT: ⚠ ⚠ ⚠	211526-3
SAME AS -1 EXCEPT: ⚠ ⚠	211526-2
AS SHOWN	211526-1

DO NOT SCALE PRINT. UNLESS SPECIFIED DIMENSIONS IN INCHES. TOLERANCES ON: 2 PLC DEC ± .005; 3 PLC DEC ± .005; ANGLES ± 0°30'		DR 7-1-85 D. ERDMAN; CHK 9-18-85 R. GRZYBOWSKI; APPD 9-20-85 L. ROP'IER; APPD 9-25-85 G. SACUNAS		AMP INCORPORATED Harrisburg, Pa. 17105
SEE CALLOUT		PRODUCT SPEC		
SEE CALLOUT		APPLICATION SPEC		NAME: RECEPTACLE ASS'Y., AMPLIMITE 15 POSN., SIZE 2, SERIES 109, W/DUAL FLOAT BUSHINGS
SEE CALLOUT		WEIGHT		
SIZE: D	FSCM NO: 00779	DRAWING NO: 211526	SHEET 1 OF 1	
SCALE: NTS		CUSTOMER DRAWING		