



Chipsmall Limited consists of a professional team with an average of over 10 year of expertise in the distribution of electronic components. Based in Hongkong, we have already established firm and mutual-benefit business relationships with customers from,Europe,America and south Asia,supplying obsolete and hard-to-find components to meet their specific needs.

With the principle of “Quality Parts,Customers Priority,Honest Operation,and Considerate Service”,our business mainly focus on the distribution of electronic components. Line cards we deal with include Microchip,ALPS,ROHM,Xilinx,Pulse,ON,Everlight and Freescale. Main products comprise IC,Modules,Potentiometer,IC Socket,Relay,Connector.Our parts cover such applications as commercial,industrial, and automotives areas.

We are looking forward to setting up business relationship with you and hope to provide you with the best service and solution. Let us make a better world for our industry!



Contact us

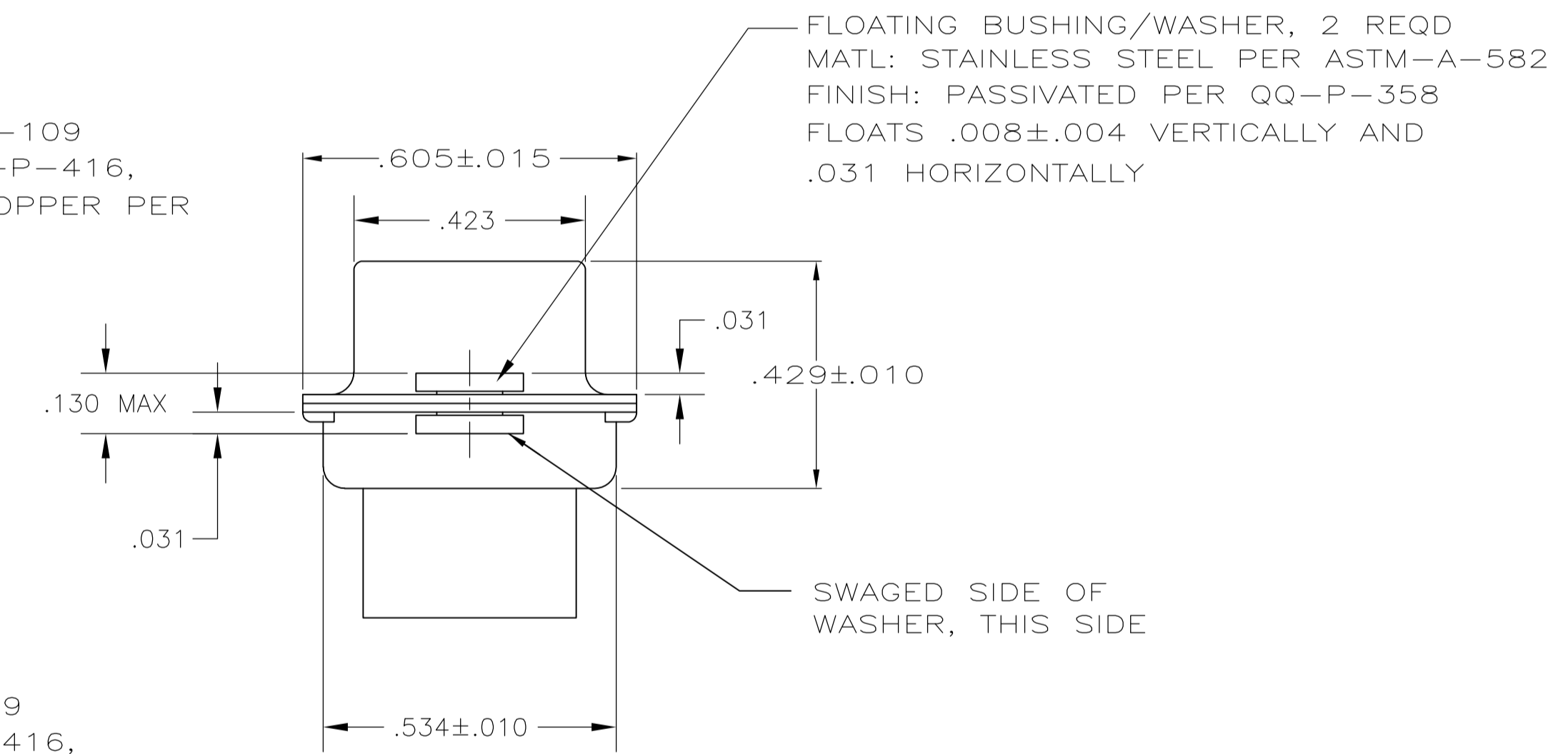
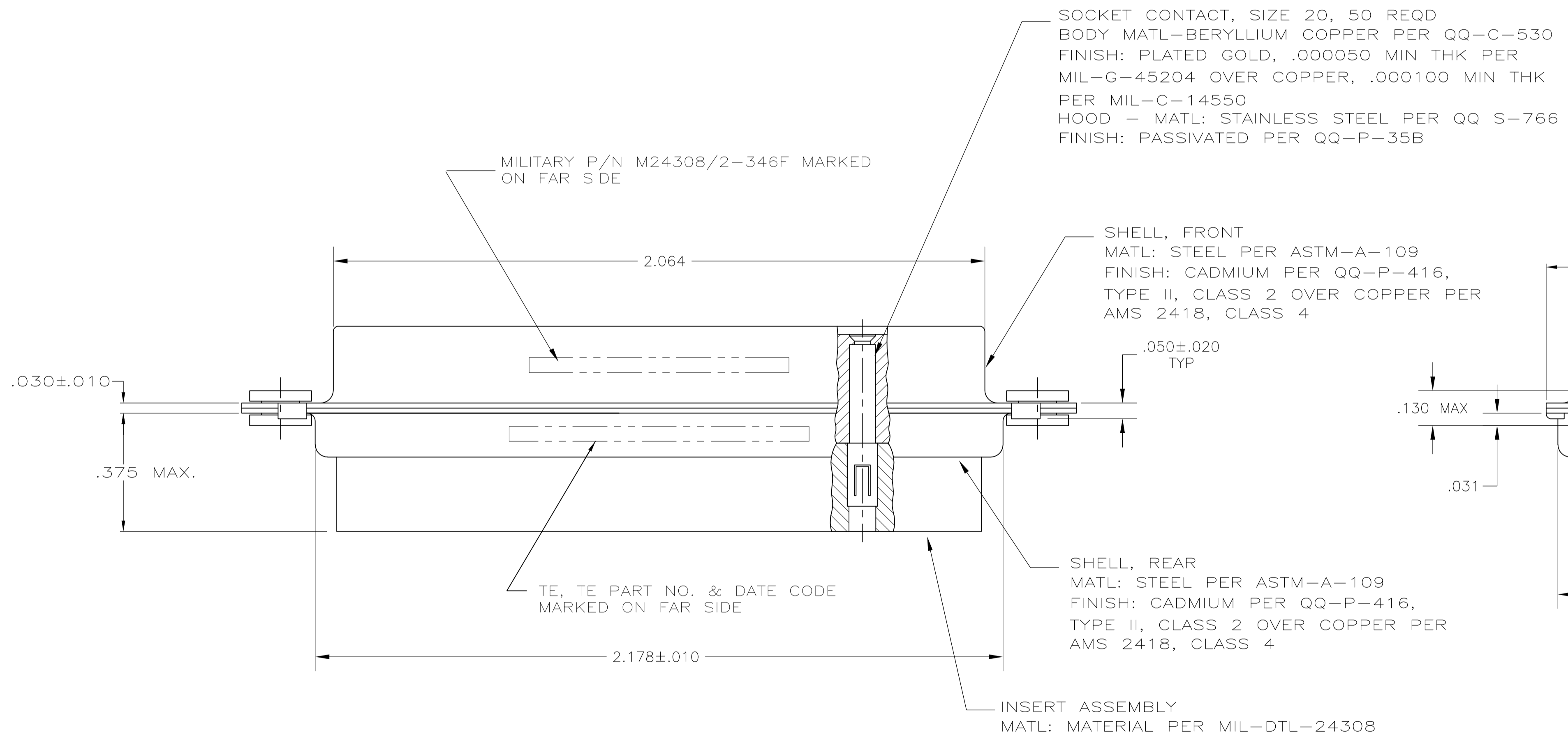
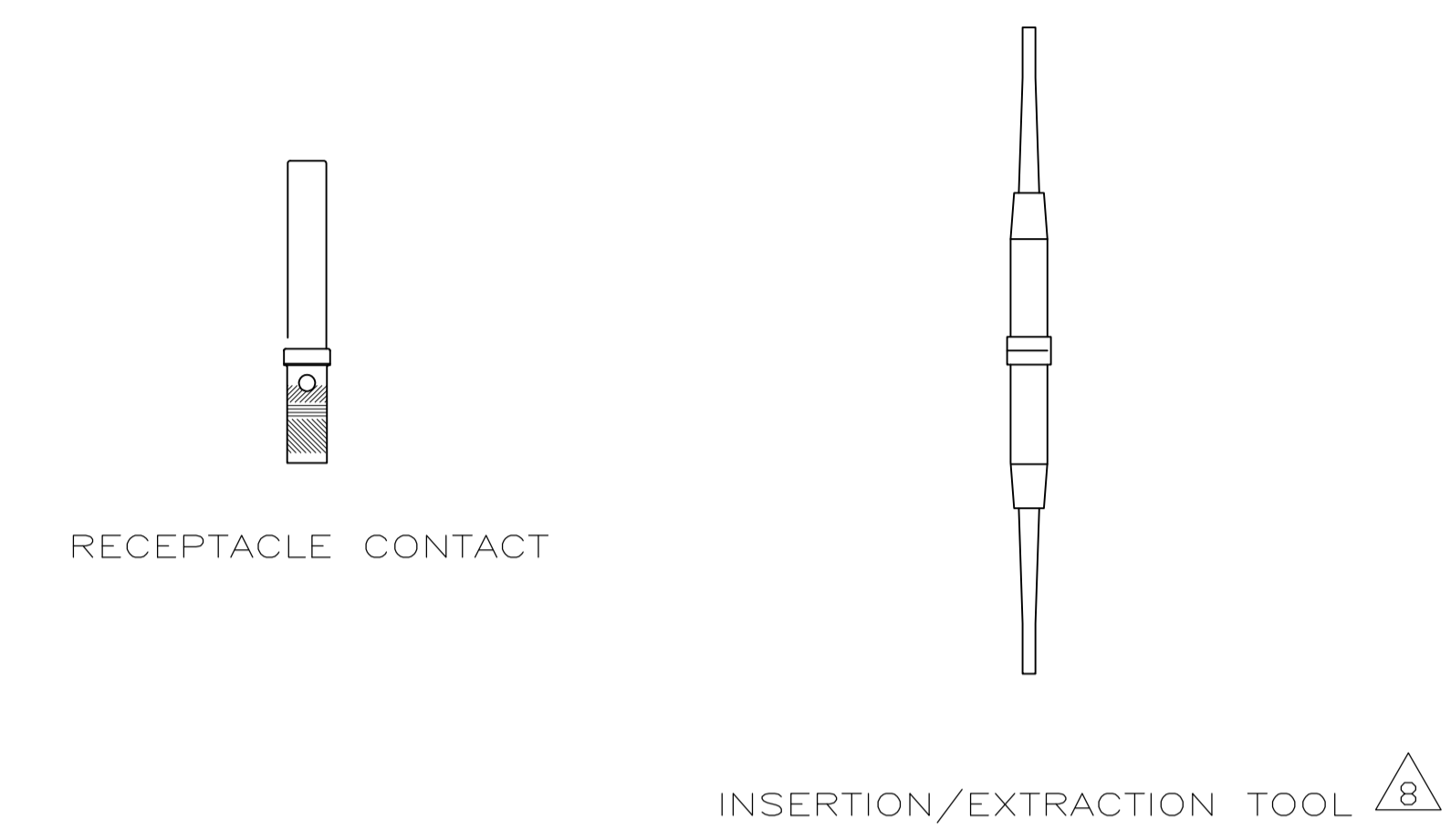
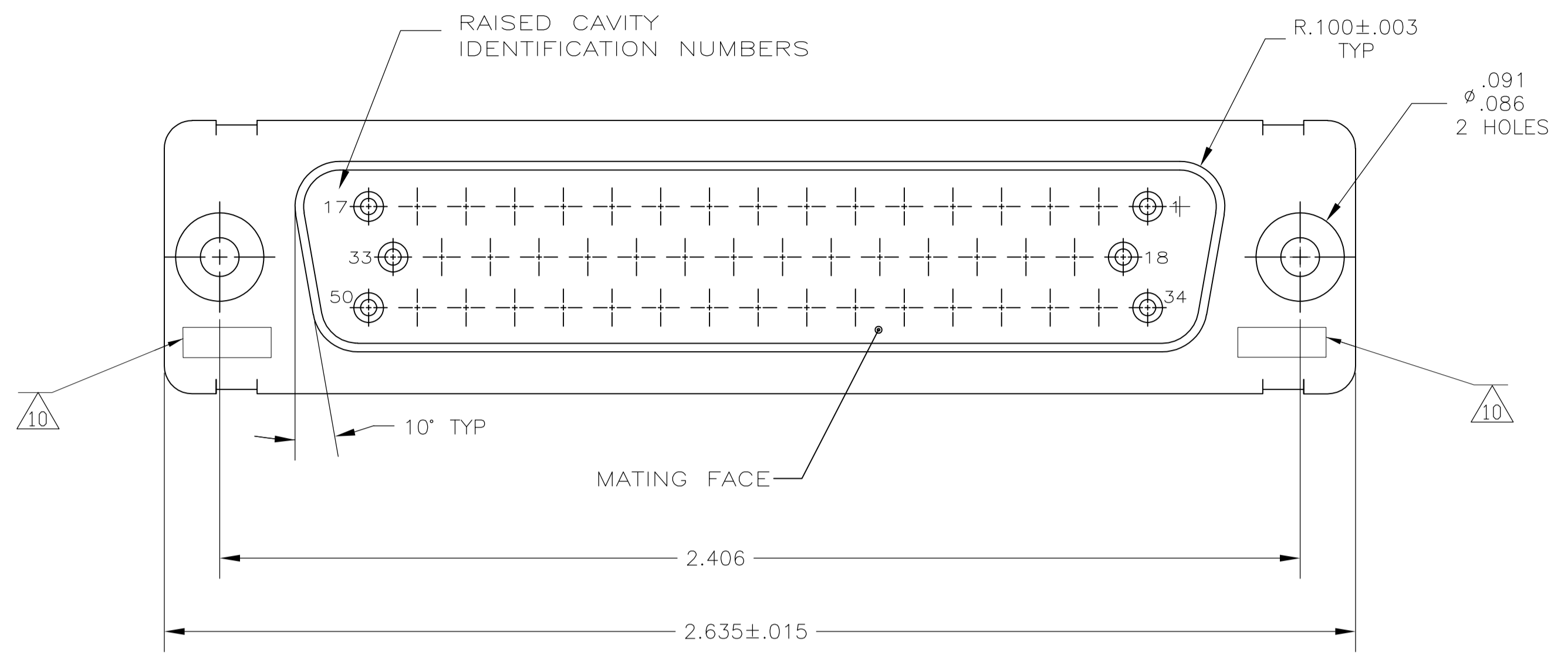
Tel: +86-755-8981 8866 Fax: +86-755-8427 6832

Email & Skype: info@chipsmall.com Web: www.chipsmall.com

Address: A1208, Overseas Decoration Building, #122 Zhenhua RD., Futian, Shenzhen, China



LOC		DIST		REVISIONS			
P	LTR	DESCRIPTION	DATE	DMN	APVD		
F		REVISED PER ECO-15-017709	30DEC15	KG	CD		



- THIS RECEPTACLE WILL MATE WITH ANY 50 POSN, SIZE 5 PLUG IN AMPLIMITE SERIES
- MAXIMUM WIRE INSULATION TO BE USED WITH THIS RECEPTACLE IS .068 DIA
- SST RETENTION CLIPS ARE INCLUDED IN INSERTS
- PACKAGE STAMPED M24308/2-486F & TE PART NUMBER 211529-1
- PACKAGE STAMPED M24308/2-346F & TE PART NUMBER 211529-2
- PACKAGE STAMPED M24308/2-357F & TE PART NUMBER 211529-3
- TE P/N 205090-1, MIL P/N 63-368, INCLUDED IN KIT
- TE P/N 91067-2, MIL P/N M81969/1-02
- CONNECTOR SUPPLIED WITHOUT CONTACTS, SHOWN FOR ILLUSTRATION ONLY
- UL/CSA DESIGNATION STAMPED IN THIS AREA.
- FOR CONNECTOR ASSEMBLIES, TE CONTACT PART NOS. 205090-1 MUST BE ORDERED SEPARATELY. CONNECTORS WITH CONTACTS ARE SUPPLIED WITH CONTACT 205090-1

DESCRIPTION	PART NO.
SAME AS -1 EXCEPT $\triangle 6 \triangle 7 \triangle 8 \triangle 11$	211529-3
SAME AS -1 EXCEPT $\triangle 5 \triangle 7 \triangle 11$	211529-2
AS SHOWN $\triangle 4 \triangle 9 \triangle 11$	211529-1

THIS DRAWING IS A CONTROLLED DOCUMENT.

DIMENSIONS: INCHES	TOLERANCES UNLESS OTHERWISE SPECIFIED:	DIN MANJUNATH G.M. 27-May-15	APVD CHARLES THOMAS 27-May-15	NAME RECEPTACLE ASSEMBLY, AMPLIMITE, 50 POSITION, SIZE 5, SERIES 109, W/DUAL FLOATING BUSHINGS
0. PLC ± -	1. PLC ± -	2. PLC ± -	3. PLC ± .005	4. PLC ANGLES ± - ± -
MATERIAL	FINISH	WEIGHT	SIZE A1	CAGE CODE 00779
CUSTOMER DRAWING		SCALE 4:1	SHEET 1 OF 1	REV F

STE TE Connectivity